

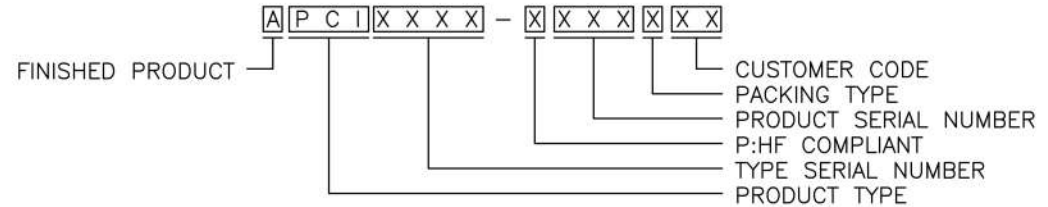
TABLE:

NO.	PART NO.	DESCRIPTION	DURABILITY
1	APCI0093-P009A	GOLD G/F ON CONTACT AREA	25 CYCLES
		GOLD G/F ON SOLDER AREA	
2	APCI0093-P010A	GOLD 10u" ON CONTACT AREA	25 CYCLES
		GOLD G/F ON SOLDER AREA	
3	APCI0093-P011A	GOLD 15u" ON CONTACT AREA	25 CYCLES
		GOLD G/F ON SOLDER AREA	
4	APCI0093-P012A	GOLD 30u" ON CONTACT AREA	60 CYCLES
		GOLD G/F ON SOLDER AREA	

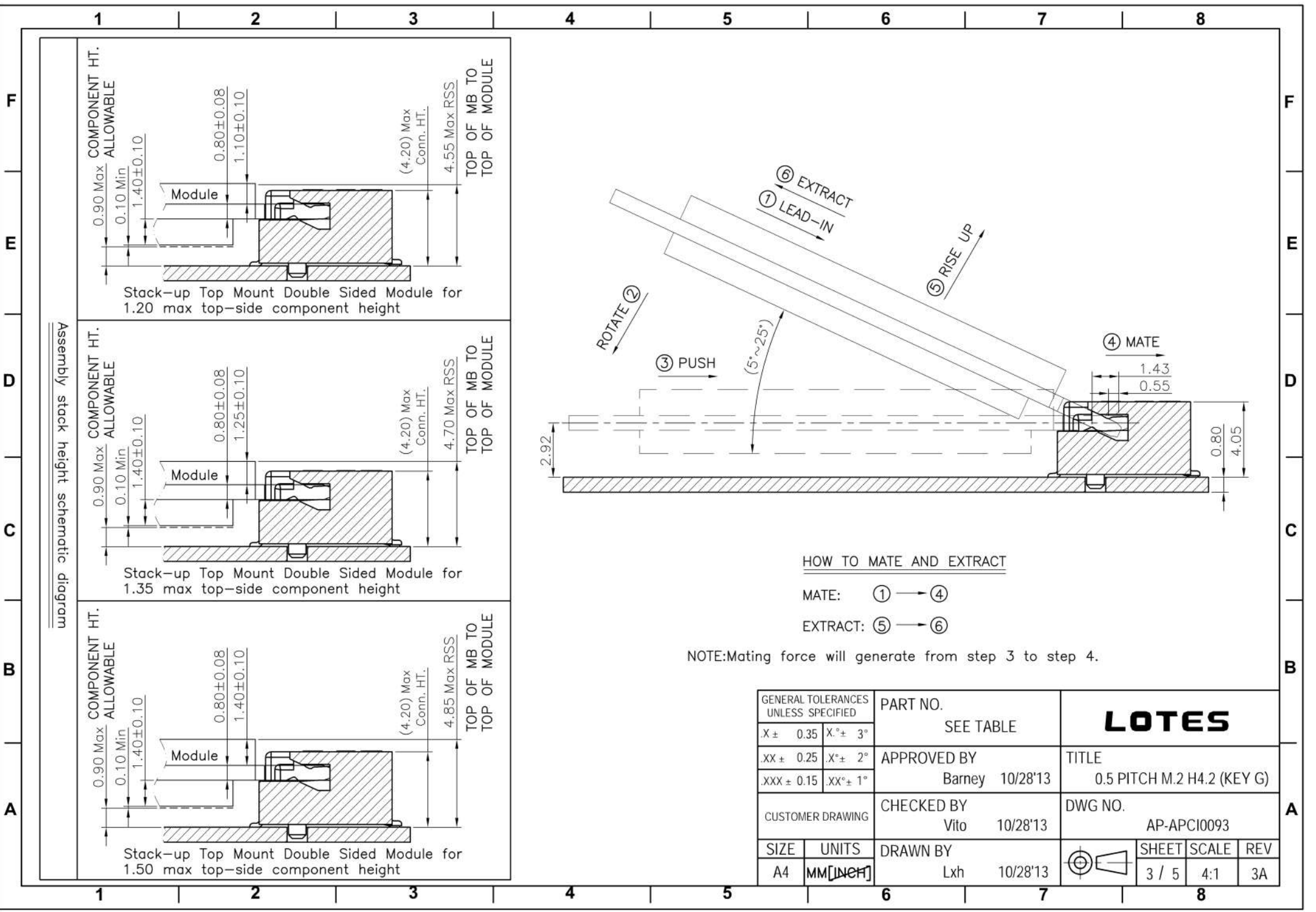
Notes:

- MATERIAL SPECIFICATION:
 - HOUSING:LCP+40%GF,UL94V-0,COLOR:BLACK.
 - CONTACT:COPPER ALLOY.
 - PEG:STEEL.
- PLATING SPECIFICATION:
 - CONTACT:50u" MIN.NICKEL UNDER PLATING
OVER ALL.PLATING ON SOLDER AREA:SEE TABLE
GOLD PLATING ON CONTACT AREA:SEE TABLE
 - PEG:50u" MIN. NICKEL UNDER PLATING OVER ALL.
80u" MIN. MATTE TIN PLATING ON SOLDER AREA.
- HF COMPLIANT, RoHS COMPLIANT.
- DATE CODE: XX XX XX
- MECHANICAL PERFORMANCE:
 - DURABILITY: SEE TABLE
- ELECTRICAL PERFORMANCE:
 - CURRENT: 0.5A PER PIN.
 - LLCR: INITIAL 55mΩ MAX.;FINAL ΔLLCR=20mΩ MAX.
- IR REFLOW:
THE TEMPERATURE SHALL BE 260±5°C MAINTAINING 10±1 SECONDS.

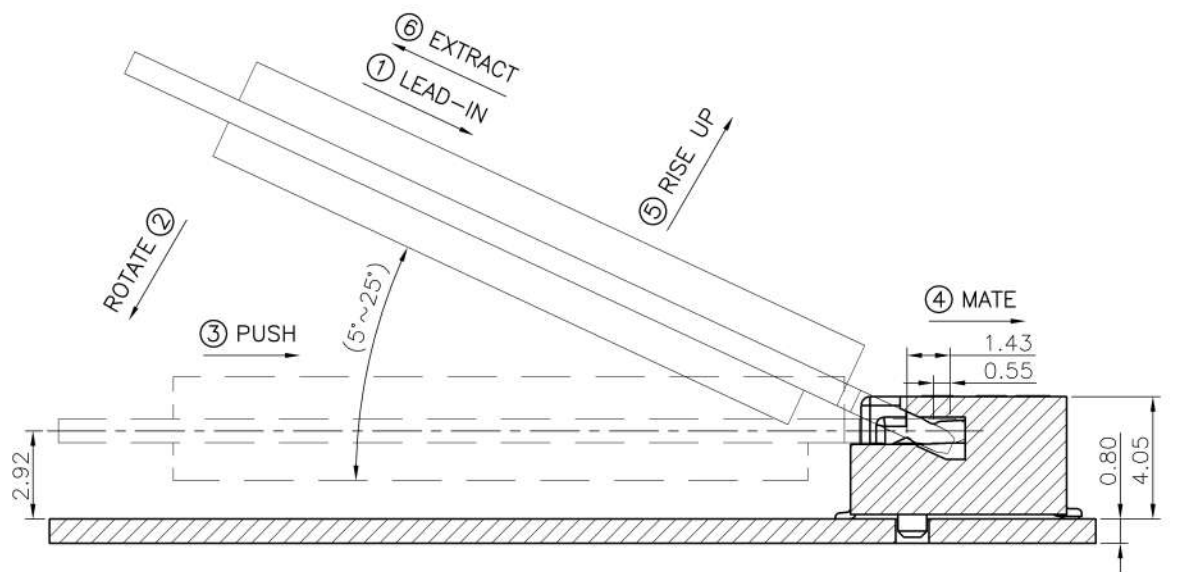
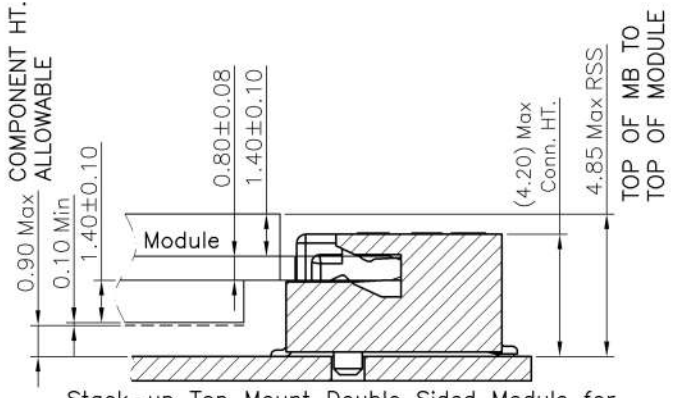
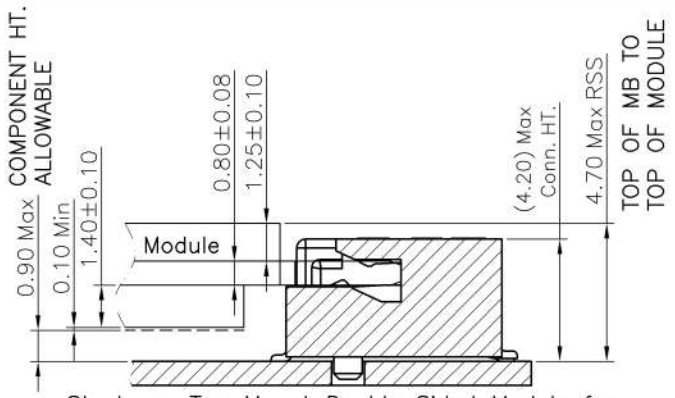
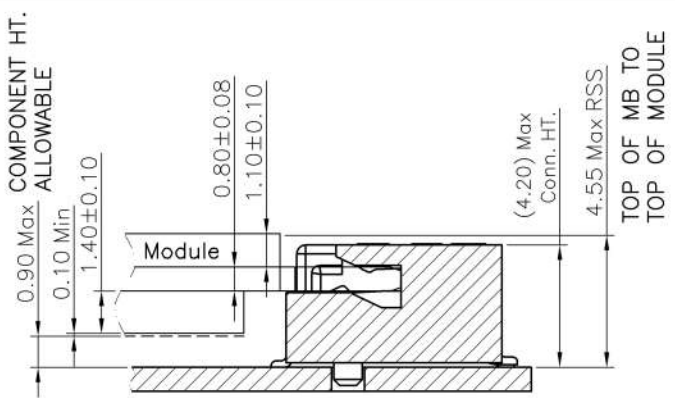
8. PRODUCT NUMBER NOTE:



GENERAL TOLERANCES UNLESS SPECIFIED		PART NO.	LOTES		
X ± 0.35	X° ± 3°	SEE TABLE	TITLE		
XX ± 0.25	XX° ± 2°	APPROVED BY	0.5 PITCH M.2 H4.2 (KEY G)		
XXX ± 0.15	XXX° ± 1°	Barney 10/28'13	DWG NO.		
CUSTOMER DRAWING	CHECKED BY	Vito 10/28'13	AP-APCI0093		
SIZE	UNITS	DRAWN BY		SHEET	SCALE
A4	MM [INCH]	Lxh 10/28'13		2 / 5	4:1
					3A



Assembly stack height schematic diagram

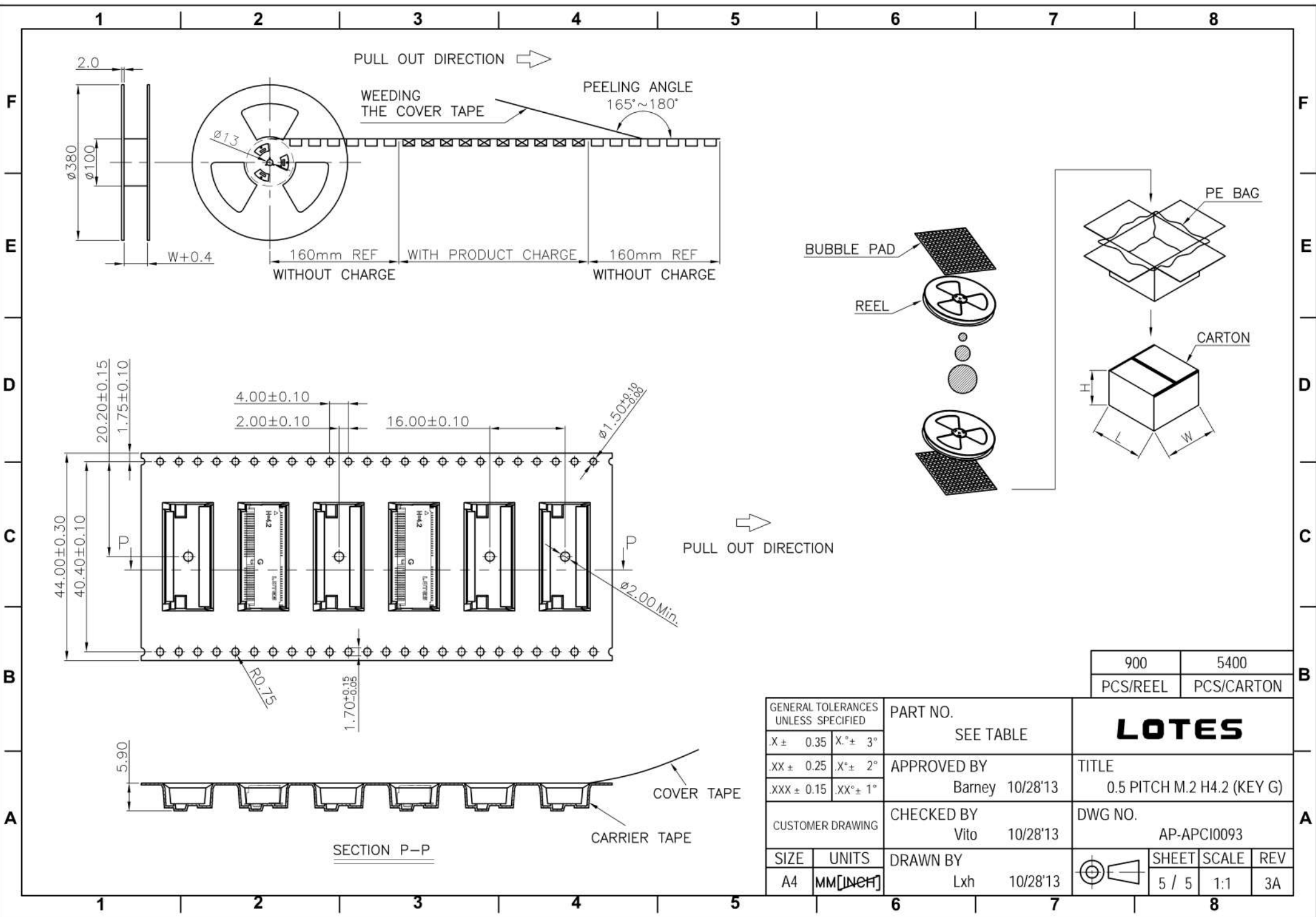


HOW TO MATE AND EXTRACT

- MATE: ① → ④
- EXTRACT: ⑤ → ⑥

NOTE: Mating force will generate from step 3 to step 4.

GENERAL TOLERANCES UNLESS SPECIFIED		PART NO.	LOTES			
X ± 0.35	X.° ± 3°	SEE TABLE				
XX ± 0.25	.X° ± 2°	APPROVED BY	TITLE			
.XXX ± 0.15	.XX° ± 1°	Barney 10/28'13	0.5 PITCH M.2 H4.2 (KEY G)			
CUSTOMER DRAWING		CHECKED BY	DWG NO.			
		Vito 10/28'13	AP-APCI0093			
SIZE	UNITS	DRAWN BY		SHEET	SCALE	REV
A4	MM [INCH]	Lxh 10/28'13		3 / 5	4:1	3A



PULL OUT DIRECTION →

WEEDING THE COVER TAPE

PEELING ANGLE 165°~180°

160mm REF WITHOUT CHARGE WITH PRODUCT CHARGE 160mm REF WITHOUT CHARGE

BUBBLE PAD

REEL

PE BAG

CARTON

PULL OUT DIRECTION →

44.00±0.30
40.40±0.10
20.20±0.15
1.75±0.10

4.00±0.10
2.00±0.10
16.00±0.10

ø1.50^{+0.10}_{-0.08}
ø2.00 Min.

5.90

SECTION P-P

COVER TAPE

CARRIER TAPE

900	5400
PCS/REEL	PCS/CARTON

GENERAL TOLERANCES UNLESS SPECIFIED		PART NO.	LOTES			
X ± 0.35	X.° ± 3°	SEE TABLE				
XX ± 0.25	.X° ± 2°	APPROVED BY	TITLE			
.XXX ± 0.15	.XX° ± 1°	Barney 10/28'13	0.5 PITCH M.2 H4.2 (KEY G)			
CUSTOMER DRAWING	CHECKED BY	Vito 10/28'13	DWG NO.			
			AP-APCI0093			
SIZE	UNITS	DRAWN BY		SHEET	SCALE	REV
A4	MM [INCH]	Lxh 10/28'13		5 / 5	1:1	3A

X-ON Electronics

Largest Supplier of Electrical and Electronic Components

Click to view similar products for [Standard Card Edge Connectors](#) category:

Click to view products by [LOTES](#) manufacturer:

Other Similar products are found below :

[CR7E-30DB-3.96E\(72\)](#) [6565204-6](#) [1437274-4](#) [1-582587-1](#) [284-0102-12100](#) [286-0052-12101A](#) [306022901000000](#) [307-012-502-202](#) [307-056-520-300](#) [A6D22DS29C2](#) [1926088-2](#) [287-0032-12101](#) [345-060-559-303](#) [392-008-559-201](#) [534671-1](#) [341-240-317](#) [345-044-500-300](#) [346-240-318](#) [387-012-523-300](#) [395-100-524-300](#) [09-07-2032](#) [10035388-802LF](#) [10115859-011LF](#) [10122859-009LF](#) [101269333204245CLF](#) [530555-1](#) [66925-516LF](#) [5145409-2](#) [73726-0005](#) [66308-1](#) [5036A30](#) [PEC-07-02-T-S-A](#) [346-014-520-801](#) [KSLX-62-BR](#) [307-048-502-202](#) [CE100F26-7-C](#) [CE100F28-3-D](#) [CE100F28-4-D](#) [CE156F18-9-C](#) [CE156F22-5-D](#) [CE156F22-9-C](#) [CT100F22-2-D](#) [CT100F22-3-D](#) [CT100F24-2-D](#) [CT100F24-3-D](#) [CT100F24-6-C](#) [MLSS100-12-C](#) [MLSS100-16-C](#) [SCC100F-11-C](#) [SCC100F-16-C](#)