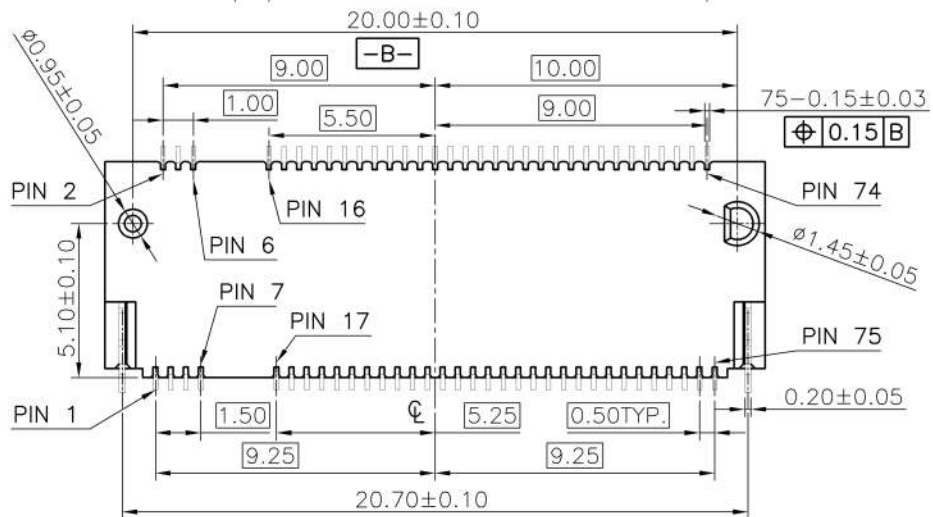
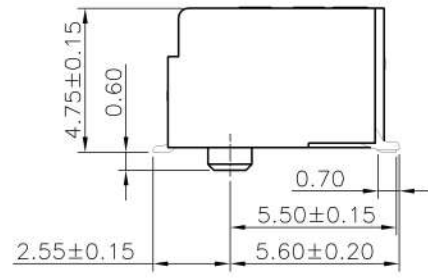
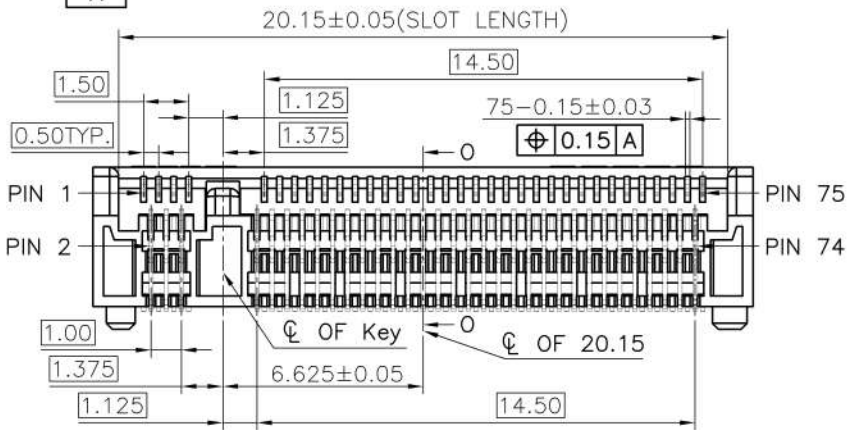
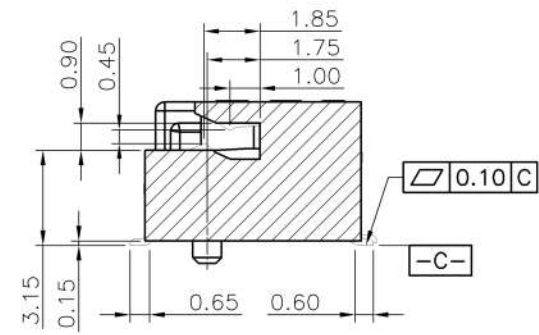
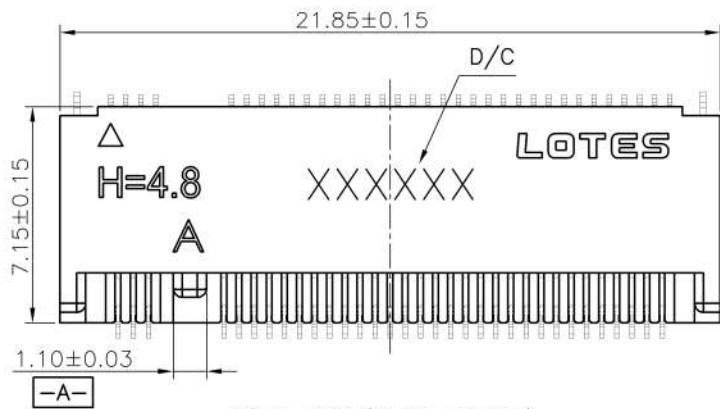
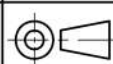


REV.	ECR/N NO./DESCRIPTION	DATE	DRAWN	CHECKED	APPROVE
1	SN15037	04/29'15	Lxh	Vito	Barney

F
E
D
C
B
A

F
E
D
C
B
A



GENERAL TOLERANCES UNLESS SPECIFIED		PART NO.	LOTES						
$X \pm 0.35$	$X^\circ \pm 3^\circ$	SEE TABLE							
$XX \pm 0.25$	$X^\circ \pm 2^\circ$	APPROVED BY Barney	TITLE 0.5MM PITCH M.2 H4.8 (KEY A)						
$XXX \pm 0.15$	$XX^\circ \pm 1^\circ$	CHECKED BY Vito	DWG NO. AP-APCI0102						
SIZE A4	UNITS MM [INCH]	DRAWN BY Lxh	 <table border="1"> <tr> <th>SHEET</th> <th>SCALE</th> <th>REV</th> </tr> <tr> <td>1 / 5</td> <td>4:1</td> <td>1</td> </tr> </table>	SHEET	SCALE	REV	1 / 5	4:1	1
SHEET	SCALE	REV							
1 / 5	4:1	1							

1 2 3 4 5 6 7 8

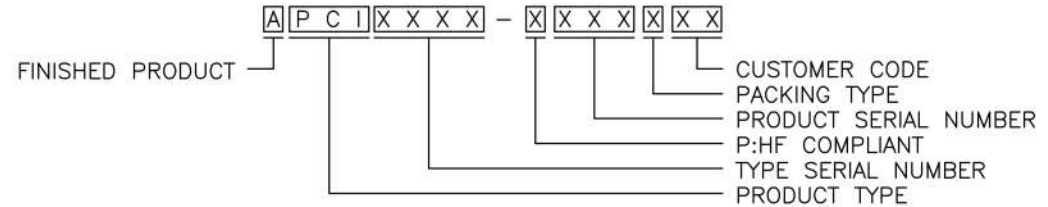
TABLE:

NO.	PART NO.	DESCRIPTION	DURABILITY
1	APCI0102-P001A	GOLD G/F ON CONTACT AREA	25 CYCLES
		GOLD G/F ON SOLDER AREA	
2	APCI0102-P002A	GOLD 10u" ON CONTACT AREA	25 CYCLES
		GOLD G/F ON SOLDER AREA	
3	APCI0102-P003A	GOLD 15u" ON CONTACT AREA	25 CYCLES
		GOLD G/F ON SOLDER AREA	
4	APCI0102-P004A	GOLD 30u" ON CONTACT AREA	60 CYCLES
		GOLD G/F ON SOLDER AREA	

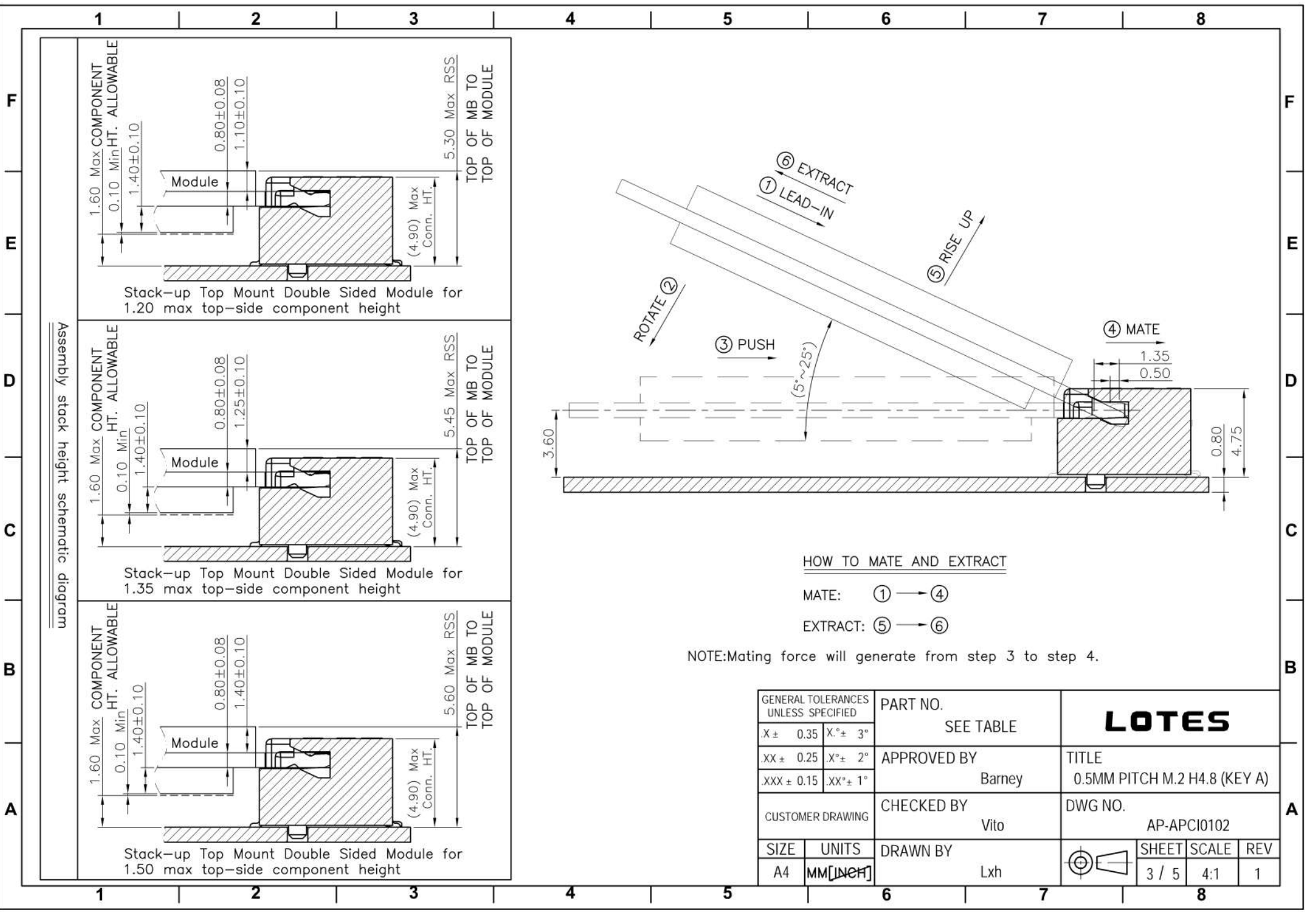
Notes:

1. MATERIAL SPECIFICATION:
 - 1.1. HOUSING:LCP+40%GF,UL94V-0,COLOR:BLACK.
 - 1.2. CONTACT:COPPER ALLOY.
 - 1.3. PEG:STEEL.
2. PLATING SPECIFICATION:
 - 2.1. CONTACT:50u" MIN.NICKEL UNDER PLATING
OVER ALL.PLATING ON SOLDER AREA:SEE TABLE
GOLD PLATING ON CONTACT AREA:SEE TABLE
 - 2.2. PEG:50u" MIN. NICKEL UNDER PLATING OVER ALL.
80u" MIN. MATTE TIN PLATING ON SOLDER AREA.
3. HF COMPLIANT, RoHS COMPLIANT.
4. DATE CODE: XX XX XX

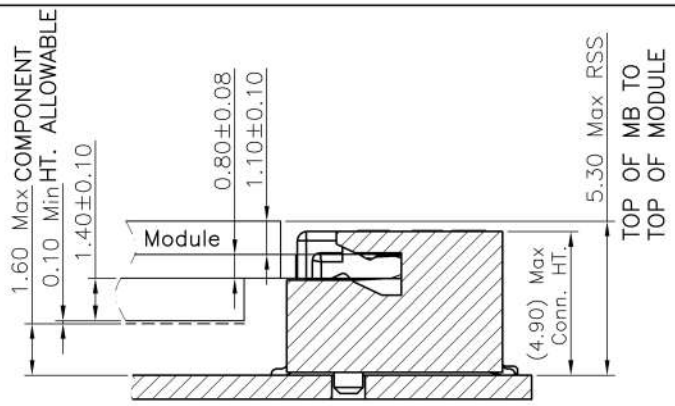
DAY
 WEEK
 YEAR
5. MECHANICAL PERFORMANCE:
 - 5.1. DURABILITY: SEE TABLE
6. ELECTRICAL PERFORMANCE:
 - 6.1. CURRENT: 0.5A PER PIN.
 - 6.2. LLCR: INITIAL 55mΩ MAX.;FINAL ΔLLCR=20mΩ MAX.
7. IR REFLOW:
THE TEMPERATURE SHALL BE 260±5°C MAINTAINING 10±1 SECONDS.
8. PRODUCT NUMBER NOTE:



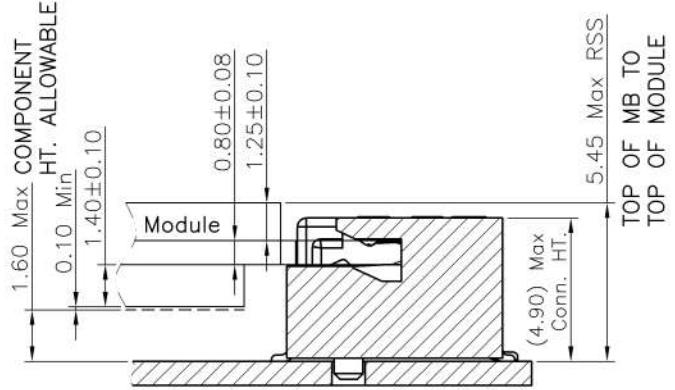
GENERAL TOLERANCES UNLESS SPECIFIED		PART NO.	LOTES			
X ± 0.35	X° ± 3°	SEE TABLE				
XX ± 0.25	XX° ± 2°	APPROVED BY	TITLE			
XXX ± 0.15	XXX° ± 1°	Barney	0.5MM PITCH M.2 H4.8 (KEY A)			
CUSTOMER DRAWING		CHECKED BY	DWG NO.			
		Vito	AP-APCI0102			
SIZE	UNITS	DRAWN BY		SHEET	SCALE	REV
A4	MM [INCH]	Lxh		2 / 5	4:1	1



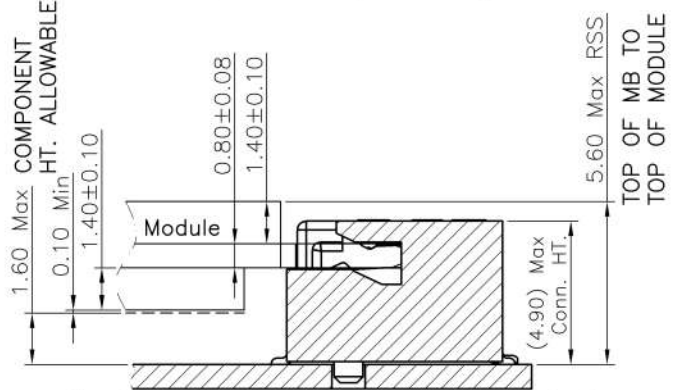
Assembly stack height schematic diagram



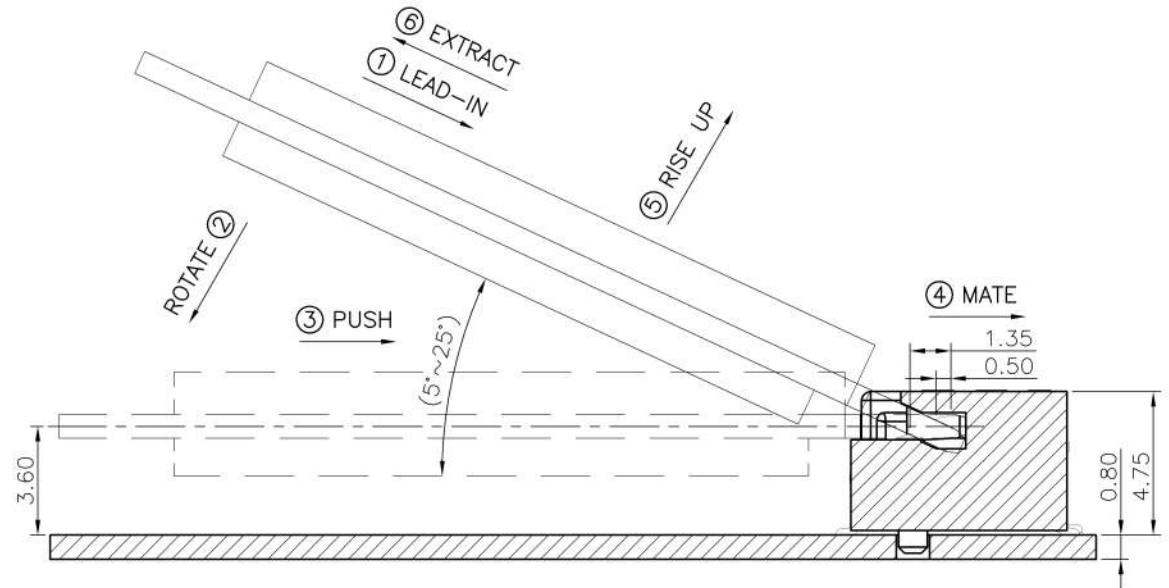
Stack-up Top Mount Double Sided Module for 1.20 max top-side component height



Stack-up Top Mount Double Sided Module for 1.35 max top-side component height



Stack-up Top Mount Double Sided Module for 1.50 max top-side component height



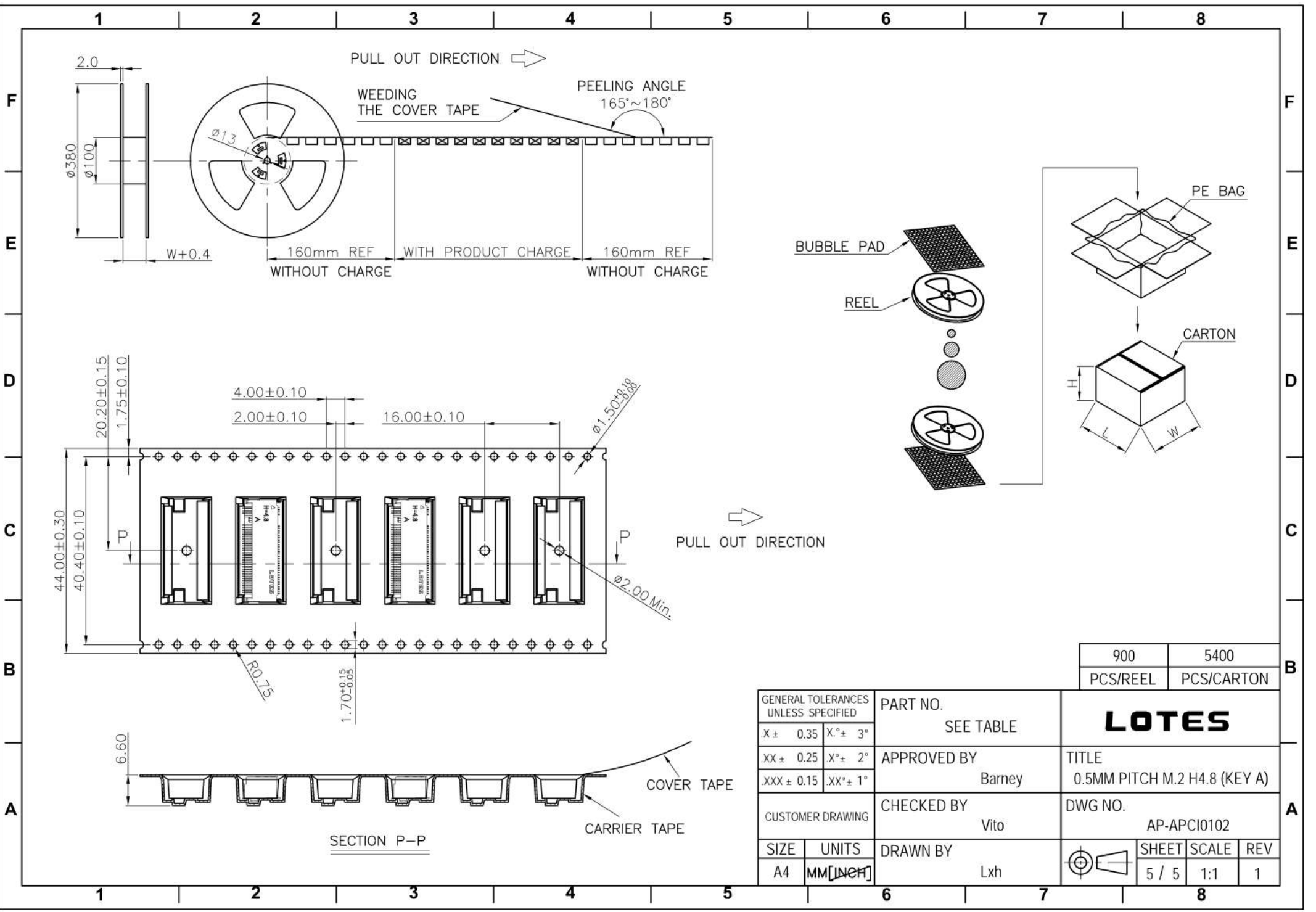
HOW TO MATE AND EXTRACT

MATE: ① → ④

EXTRACT: ⑤ → ⑥

NOTE: Mating force will generate from step 3 to step 4.

GENERAL TOLERANCES UNLESS SPECIFIED		PART NO.	LOTES			
X ± 0.35	X° ± 3°	SEE TABLE				
XX ± 0.25	.X° ± 2°	APPROVED BY	TITLE			
.XXX ± 0.15	.XX° ± 1°	Barney	0.5MM PITCH M.2 H4.8 (KEY A)			
CUSTOMER DRAWING		CHECKED BY	DWG NO.			
		Vito	AP-APCI0102			
SIZE	UNITS	DRAWN BY		SHEET	SCALE	REV
A4	MM [INCH]	Lxh		3 / 5	4:1	1



PULL OUT DIRECTION →

WEEDING THE COVER TAPE

PEELING ANGLE

165°~180°

160mm REF WITHOUT CHARGE

WITH PRODUCT CHARGE

160mm REF WITHOUT CHARGE

BUBBLE PAD

REEL

PE BAG

CARTON

PULL OUT DIRECTION →

6.60

COVER TAPE

CARRIER TAPE

SECTION P-P

900	5400
PCS/REEL	PCS/CARTON

GENERAL TOLERANCES UNLESS SPECIFIED		PART NO.	LOTES			
SEE TABLE		SEE TABLE				
X ± 0.35	X.° ± 3°	APPROVED BY	TITLE			
XX ± 0.25	.X° ± 2°	Barney	0.5MM PITCH M.2 H4.8 (KEY A)			
.XXX ± 0.15	.XX° ± 1°	CHECKED BY	DWG NO.			
CUSTOMER DRAWING	Vito	AP-APCI0102				
SIZE	UNITS	DRAWN BY		SHEET	SCALE	REV
A4	MM [INCH]	Lxh		5 / 5	1:1	1

X-ON Electronics

Largest Supplier of Electrical and Electronic Components

Click to view similar products for [Standard Card Edge Connectors](#) category:

Click to view products by [LOTES](#) manufacturer:

Other Similar products are found below :

[CR7E-30DB-3.96E\(72\)](#) [6565204-6](#) [EBT15622B2X](#) [1-582587-1](#) [284-0102-12100](#) [286-0052-12101A](#) [306022901000000](#) [307-012-502-202](#)
[307-056-520-300](#) [A6D22DS29C2](#) [1926088-2](#) [287-0032-12101](#) [345-060-559-303](#) [392-008-559-201](#) [534671-1](#) [341-240-317](#) [345-044-500-300](#)
[346-240-318](#) [387-012-523-300](#) [395-100-524-300](#) [09-07-2032](#) [10035388-802LF](#) [10115859-011LF](#) [10122859-009LF](#) [101269333204245CLF](#)
[530555-1](#) [66925-516LF](#) [5145409-2](#) [73726-0005](#) [66308-1](#) [5036A30](#) [PEC-07-02-T-S-A](#) [346-014-520-801](#) [KSLX-62-BR](#) [307-048-502-202](#)
[CE100F26-7-C](#) [CE100F28-3-D](#) [CE100F28-4-D](#) [CE156F18-9-C](#) [CE156F22-5-D](#) [CE156F22-9-C](#) [CT100F22-2-D](#) [CT100F22-3-D](#) [CT100F24-](#)
[2-D](#) [CT100F24-3-D](#) [CT100F24-6-C](#) [CT156F22-4-D](#) [MLSS100-12-C](#) [MLSS100-16-C](#) [SCC100F-11-C](#)