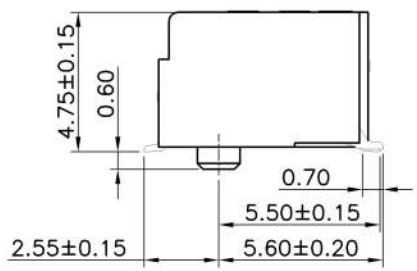
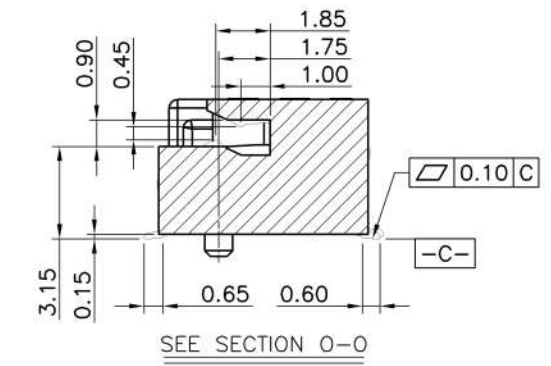
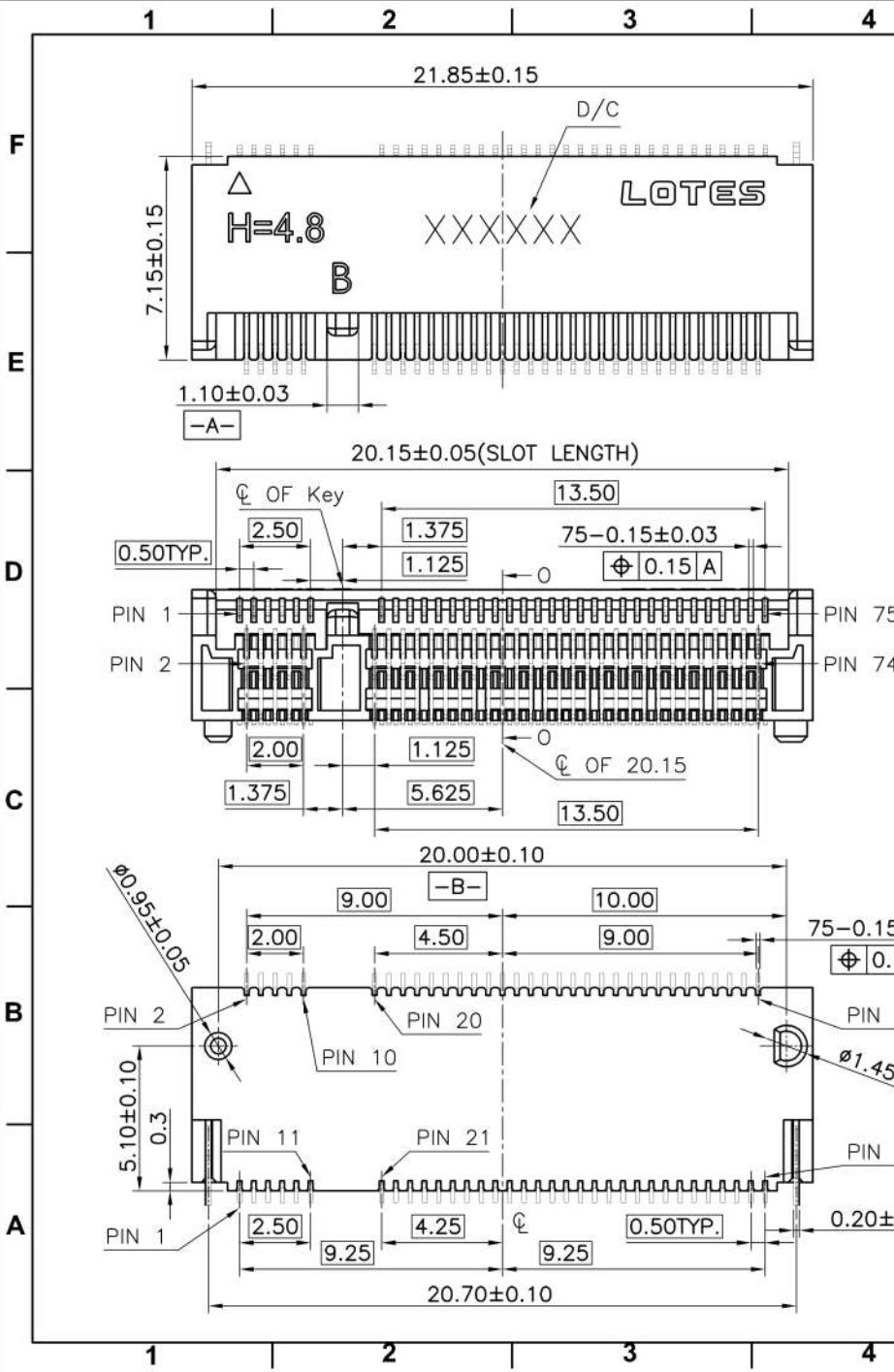


REV.	ECR/N NO./DESCRIPTION	DATE	DRAWN	CHECKED	APPROVE
1	SN15037	04/29'15	Lxh	Vito	Barney



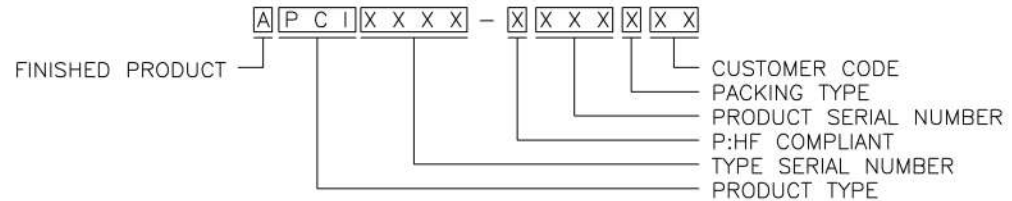
GENERAL TOLERANCES UNLESS SPECIFIED		PART NO. SEE TABLE	<b>LOTES</b>		
.X± 0.35	X.°± 3°				
.XX± 0.25	X.°± 2°		CHECKED BY Vito	DWG NO. AP-APCI0103	
.XXX± 0.15	.XX°± 1°	DRAWN BY Lxh	SHEET 1 / 5	SCALE 4:1	REV 1

TABLE:

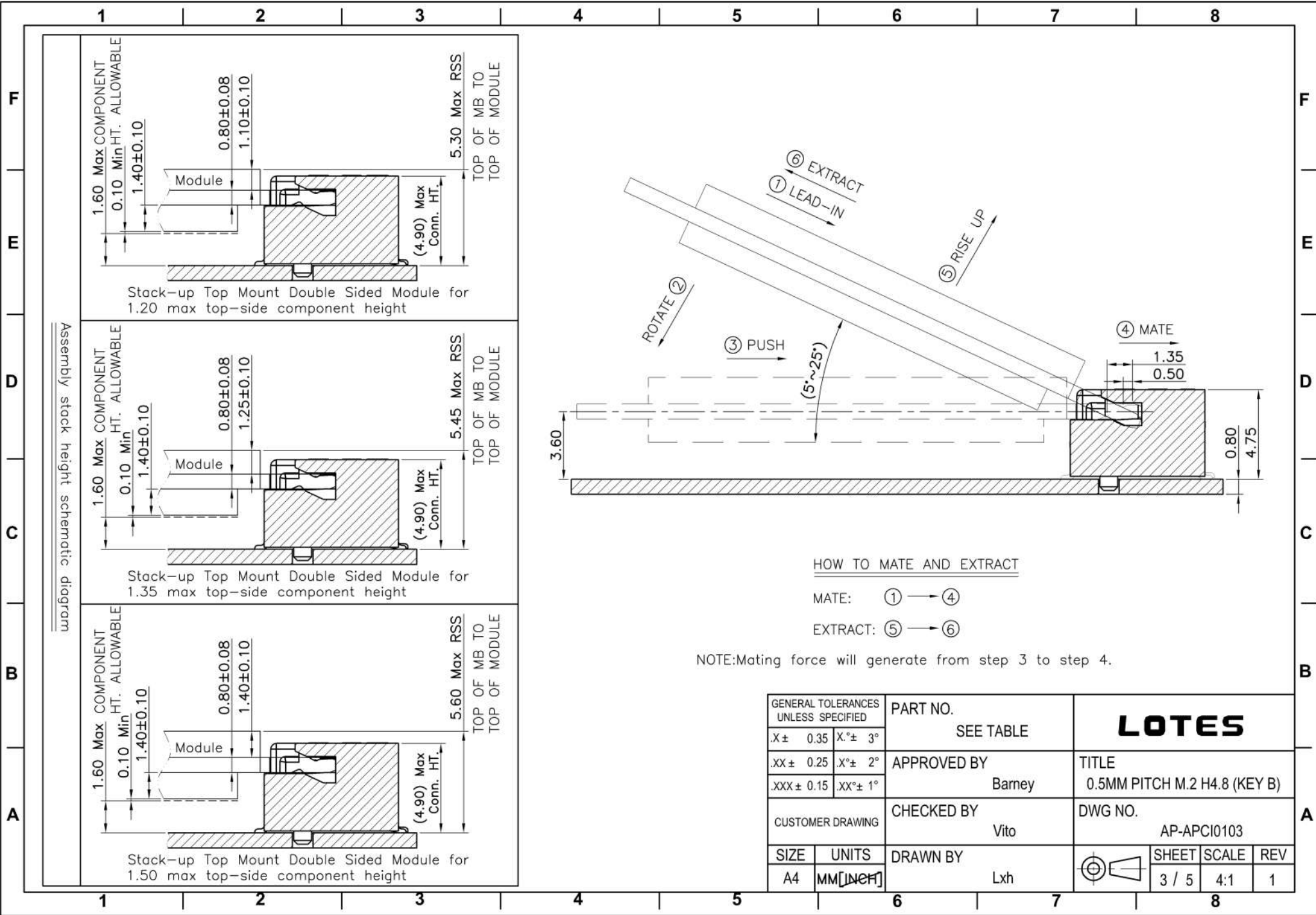
NO.	PART NO.	DESCRIPTION	DURABILITY
1	APCI0103-P001A	GOLD G/F ON CONTACT AREA	25 CYCLES
		GOLD G/F ON SOLDER AREA	
2	APCI0103-P002A	GOLD 10u" ON CONTACT AREA	25 CYCLES
		GOLD G/F ON SOLDER AREA	
3	APCI0103-P003A	GOLD 15u" ON CONTACT AREA	25 CYCLES
		GOLD G/F ON SOLDER AREA	
4	APCI0103-P004A	GOLD 30u" ON CONTACT AREA	60 CYCLES
		GOLD G/F ON SOLDER AREA	

Notes:

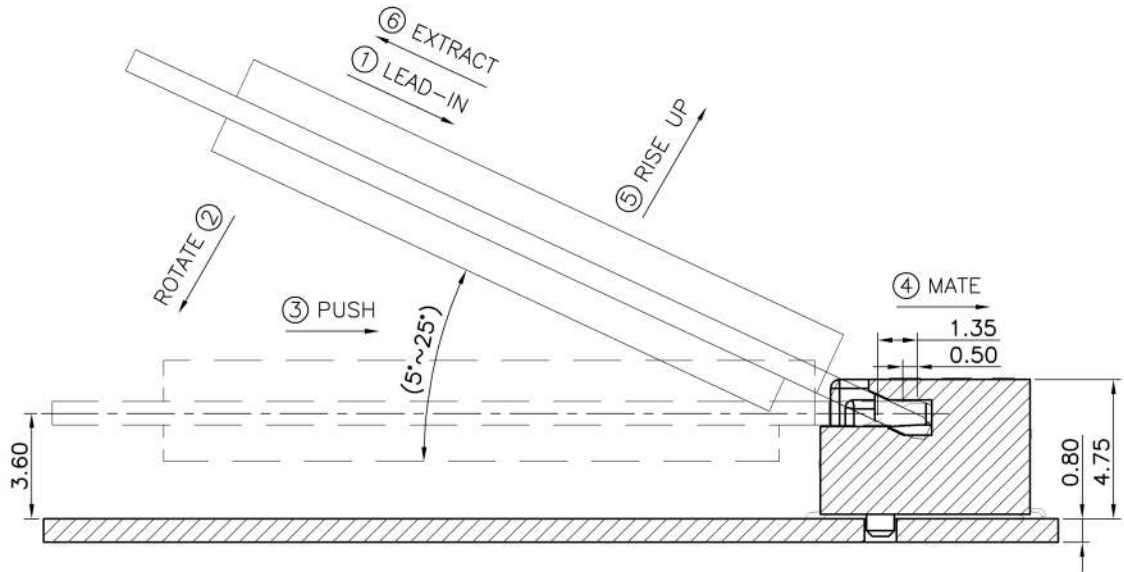
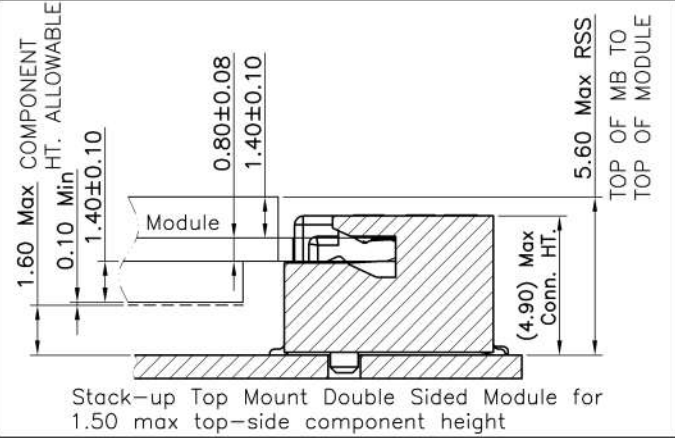
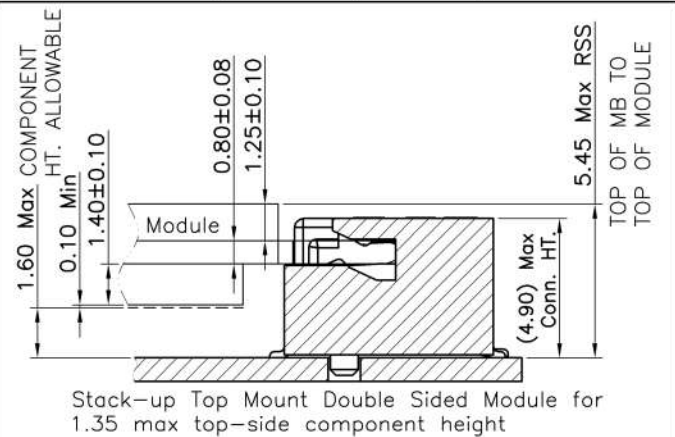
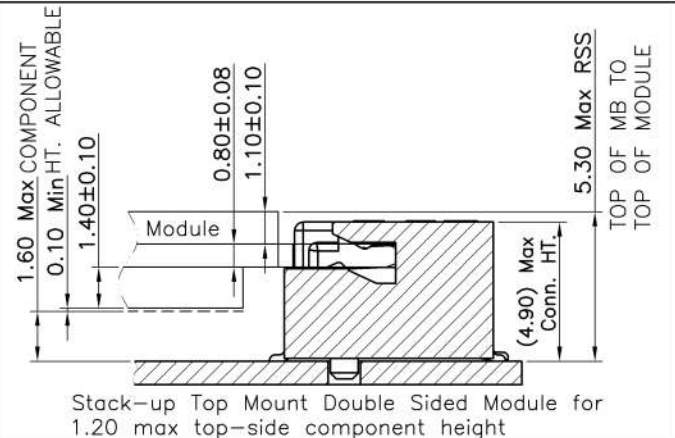
1. MATERIAL SPECIFICATION:
  - 1.1. HOUSING:LCP+40%GF,UL94V-0,COLOR:BLACK.
  - 1.2. CONTACT:COPPER ALLOY.
  - 1.3. PEG:STEEL.
2. PLATING SPECIFICATION:
  - 2.1. CONTACT:50u" MIN.NICKEL UNDER PLATING OVER ALL.PLATING ON SOLDER AREA:SEE TABLE GOLD PLATING ON CONTACT AREA:SEE TABLE
  - 2.2. PEG:50u" MIN. NICKEL UNDER PLATING OVER ALL. 80u" MIN. MATTE TIN PLATING ON SOLDER AREA.
3. HF COMPLIANT, RoHS COMPLIANT.
4. DATE CODE: XX XX XX  
 DAY  
 WEEK  
 YEAR
5. MECHANICAL PERFORMANCE:
  - 5.1. DURABILITY: SEE TABLE
6. ELECTRICAL PERFORMANCE:
  - 6.1. CURRENT: 0.5A PER PIN.
  - 6.2. LLCR: INITIAL 55mΩ MAX.;FINAL ΔLLCR=20mΩ MAX.
7. IR REFLOW:  
 THE TEMPERATURE SHALL BE 260±5°C MAINTAINING 10±1 SECONDS.
8. PRODUCT NUMBER NOTE:



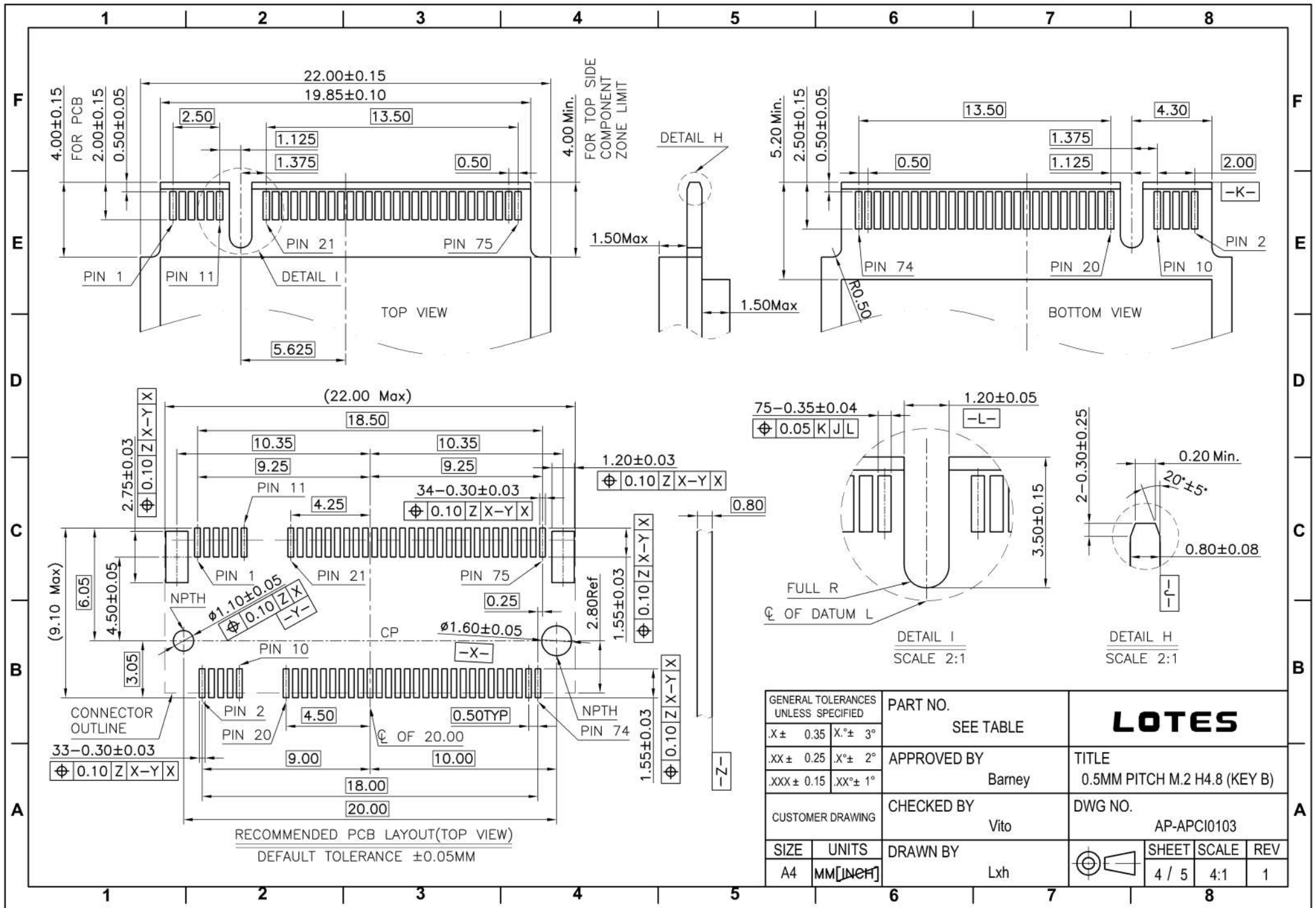
GENERAL TOLERANCES UNLESS SPECIFIED		PART NO.	<b>LOTES</b>			
X ± 0.35	X° ± 3°	SEE TABLE	TITLE			
.XX ± 0.25	X° ± 2°	APPROVED BY	0.5MM PITCH M.2 H4.8 (KEY B)			
.XXX ± 0.15	.XX° ± 1°	Barney	DWG NO.			
CUSTOMER DRAWING		CHECKED BY	AP-APCI0103			
		Vito				
SIZE	UNITS	DRAWN BY		SHEET	SCALE	REV
A4	MM [INCH]	Lxh		2 / 5	4:1	1



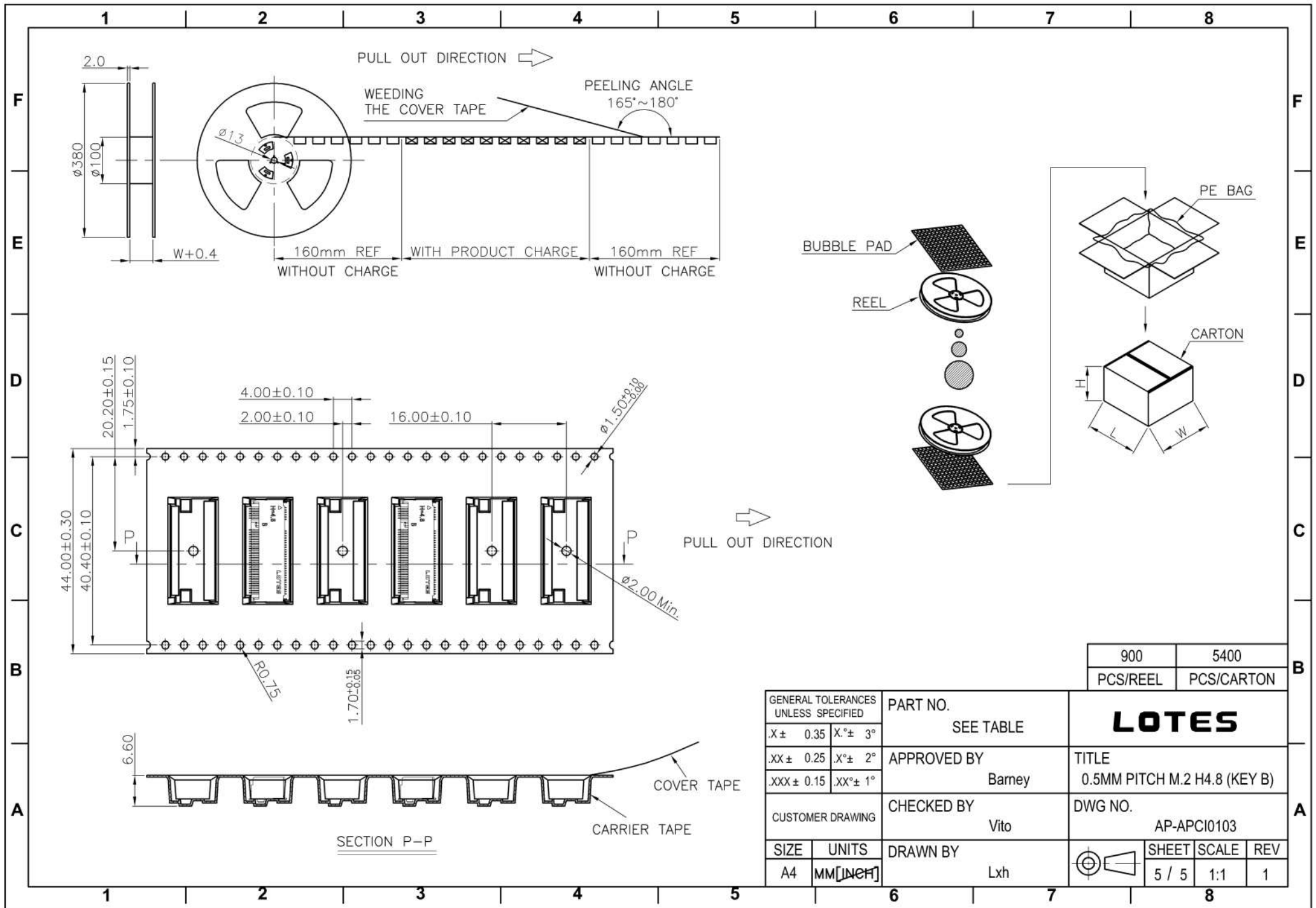
Assembly stack height schematic diagram



GENERAL TOLERANCES UNLESS SPECIFIED		PART NO. SEE TABLE	<b>LOTES</b>			
X± 0.35	X.°± 3°					
.XX± 0.25	.X°± 2°	APPROVED BY Barney	TITLE 0.5MM PITCH M.2 H4.8 (KEY B)			
.XXX± 0.15	.XX°± 1°	CHECKED BY Vito	DWG NO. AP-APCI0103			
SIZE A4	UNITS MM [INCH]	DRAWN BY Lxh		SHEET 3 / 5	SCALE 4:1	REV 1



GENERAL TOLERANCES UNLESS SPECIFIED		PART NO. SEE TABLE	<b>LOTES</b>					
X± 0.35	X.°± 3°					TITLE 0.5MM PITCH M.2 H4.8 (KEY B)		
.XX± 0.25	.X.°± 2°		APPROVED BY Barney	DWG NO. AP-APCI0103				
XXX± 0.15	.XX.°± 1°	CHECKED BY Vito	SIZE A4	UNITS MM [INCH]	DRAWN BY Lxh	SHEET 4 / 5	SCALE 4:1	REV 1



900	5400
PCS/REEL	PCS/CARTON

GENERAL TOLERANCES UNLESS SPECIFIED		PART NO. SEE TABLE	<b>LOTES</b>		
.X± 0.35	X.°± 3°				
.XX± 0.25	X.°± 2°		APPROVED BY Barney	TITLE 0.5MM PITCH M.2 H4.8 (KEY B)	
.XXX± 0.15	.XX°± 1°	CHECKED BY Vito	DWG NO. AP-APCI0103		
SIZE A4	UNITS MM [INCH]	DRAWN BY Lxh	SHEET SCALE REV 5 / 5 1:1 1		

## X-ON Electronics

Largest Supplier of Electrical and Electronic Components

*Click to view similar products for [Standard Card Edge Connectors](#) category:*

*Click to view products by [LOTES](#) manufacturer:*

Other Similar products are found below :

[CR7E-30DB-3.96E\(72\)](#) [6565204-6](#) [1437274-4](#) [EBT15622B2X](#) [1-582587-1](#) [284-0102-12100](#) [286-0052-12101A](#) [306022901000000](#) [307-012-502-202](#) [307-056-520-300](#) [A6D22DS29C2](#) [1926088-2](#) [287-0032-12101](#) [345-060-559-303](#) [392-008-559-201](#) [534671-1](#) [341-240-317](#) [345-044-500-300](#) [346-240-318](#) [387-012-523-300](#) [395-100-524-300](#) [09-07-2032](#) [10035388-802LF](#) [10115859-011LF](#) [10122859-009LF](#) [101269333204245CLF](#) [530555-1](#) [66925-516LF](#) [5145409-2](#) [73726-0005](#) [66308-1](#) [5036A30](#) [PEC-07-02-T-S-A](#) [346-014-520-801](#) [KSLX-62-BR](#) [307-048-502-202](#) [CE100F26-7-C](#) [CE100F28-3-D](#) [CE100F28-4-D](#) [CE156F18-9-C](#) [CE156F22-5-D](#) [CE156F22-9-C](#) [CT100F22-2-D](#) [CT100F22-3-D](#) [CT100F24-2-D](#) [CT100F24-3-D](#) [CT100F24-6-C](#) [CT156F22-4-D](#) [MLSS100-12-C](#) [MLSS100-16-C](#)