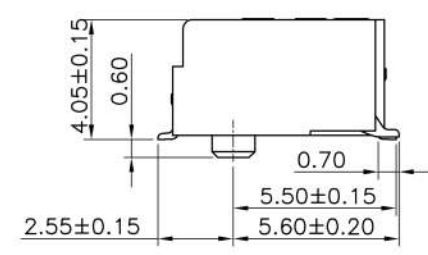
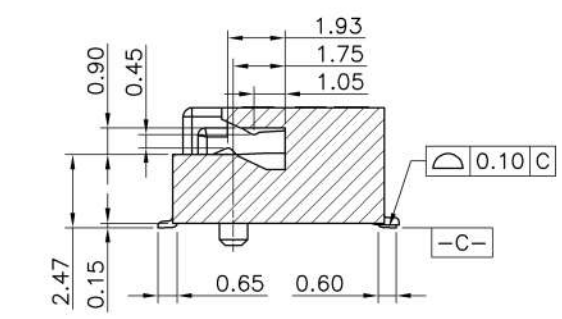
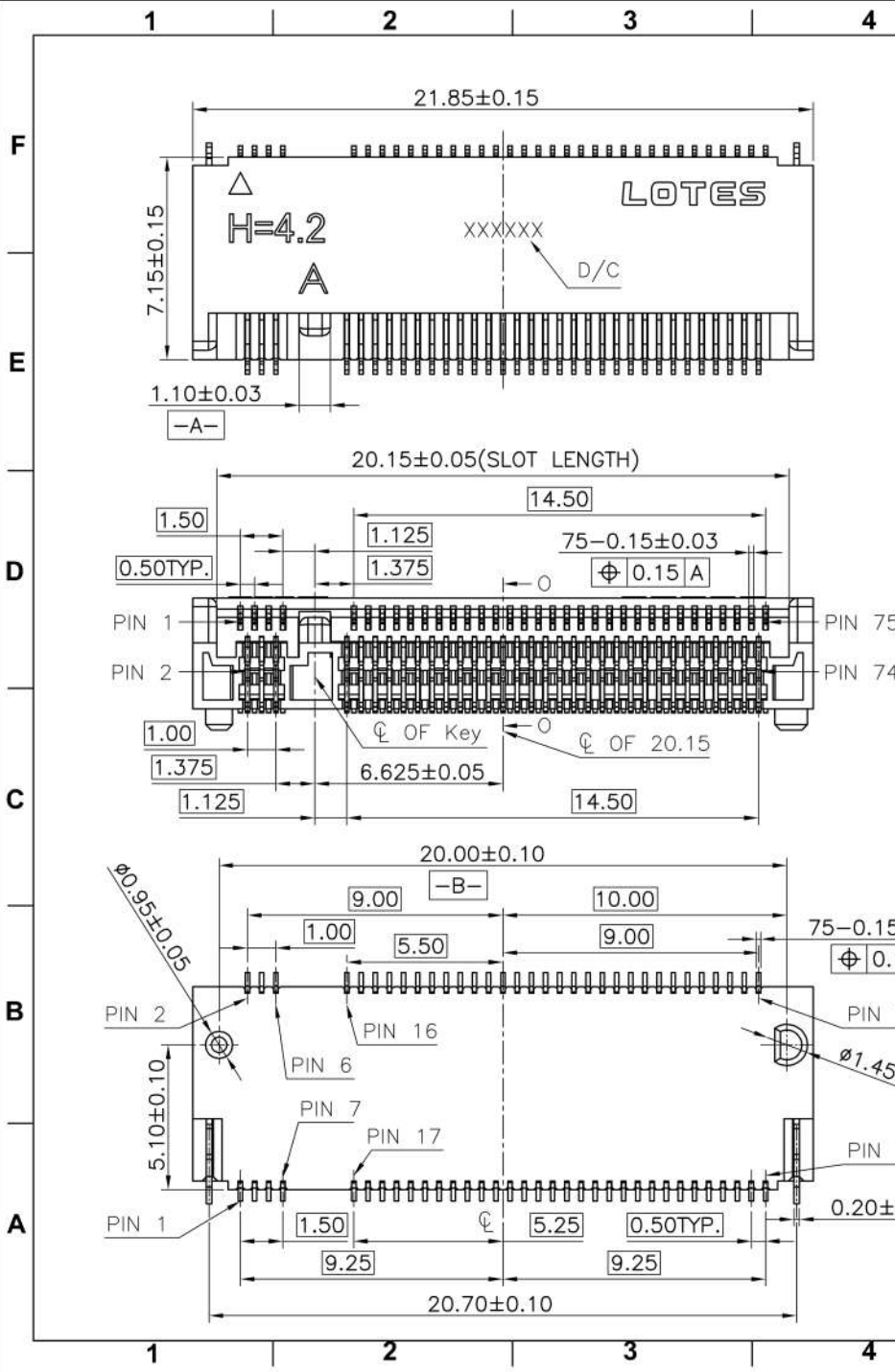
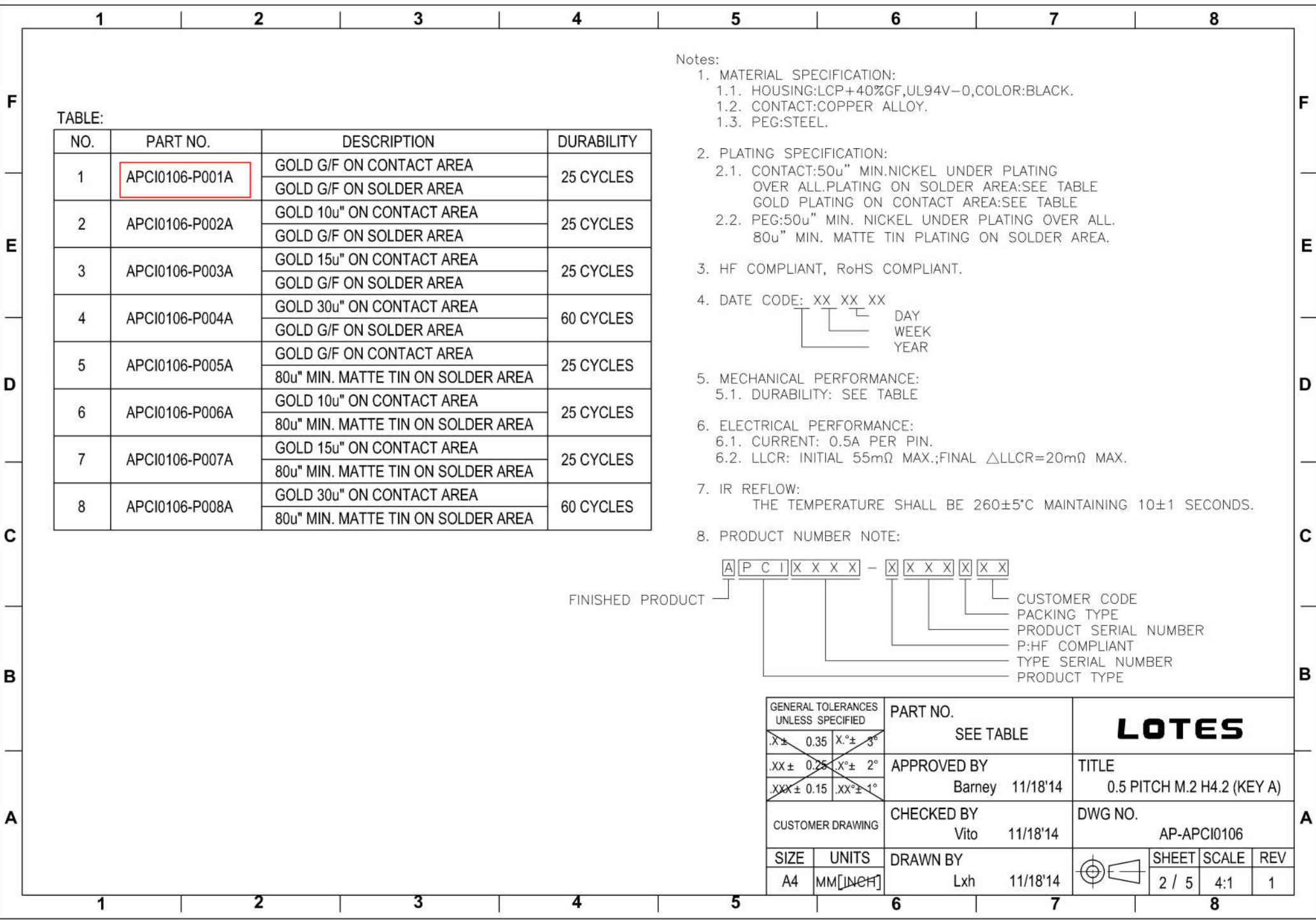


REV.	ECR/N NO./DESCRIPTION	DATE	DRAWN	CHECKED	APPROVE
1	SN14155	11/18'14	Lxh	Vito	Barney



GENERAL TOLERANCES UNLESS SPECIFIED		PART NO. SEE TABLE	LOTES			
X ± 0.35	X ° ± 3°					
.XX ± 0.25	.X ° ± 2°	APPROVED BY Barney 11/18'14	TITLE 0.5 PITCH M.2 H4.2 (KEY A)			
.XXX ± 0.15	.XX ° ± 1°	CHECKED BY Vito 11/18'14	DWG NO. AP-APCI0106			
CUSTOMER DRAWING		DRAWN BY Lxh 11/18'14		SHEET	SCALE	REV
SIZE A4	UNITS MM [INCH]			1 / 5	4:1	1

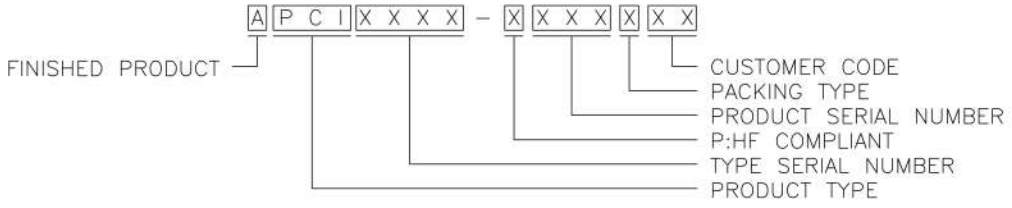


- Notes:
- MATERIAL SPECIFICATION:
 - HOUSING:LCP+40%GF,UL94V-0,COLOR:BLACK.
 - CONTACT:COPPER ALLOY.
 - PEG:STEEL.
 - PLATING SPECIFICATION:
 - CONTACT:50u" MIN.NICKEL UNDER PLATING OVER ALL.PLATING ON SOLDER AREA:SEE TABLE GOLD PLATING ON CONTACT AREA:SEE TABLE
 - PEG:50u" MIN. NICKEL UNDER PLATING OVER ALL. 80u" MIN. MATTE TIN PLATING ON SOLDER AREA.
 - HF COMPLIANT, RoHS COMPLIANT.
 - DATE CODE: XX XX XX
 - MECHANICAL PERFORMANCE:
 - DURABILITY: SEE TABLE
 - ELECTRICAL PERFORMANCE:
 - CURRENT: 0.5A PER PIN.
 - LLCR: INITIAL 55mΩ MAX.;FINAL ΔLLCR=20mΩ MAX.
 - IR REFLOW:

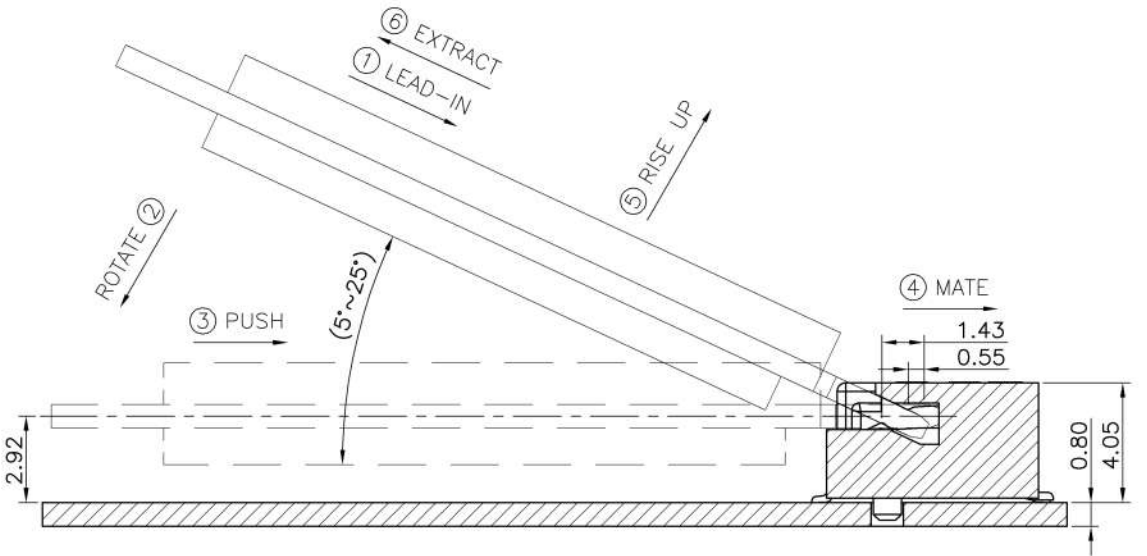
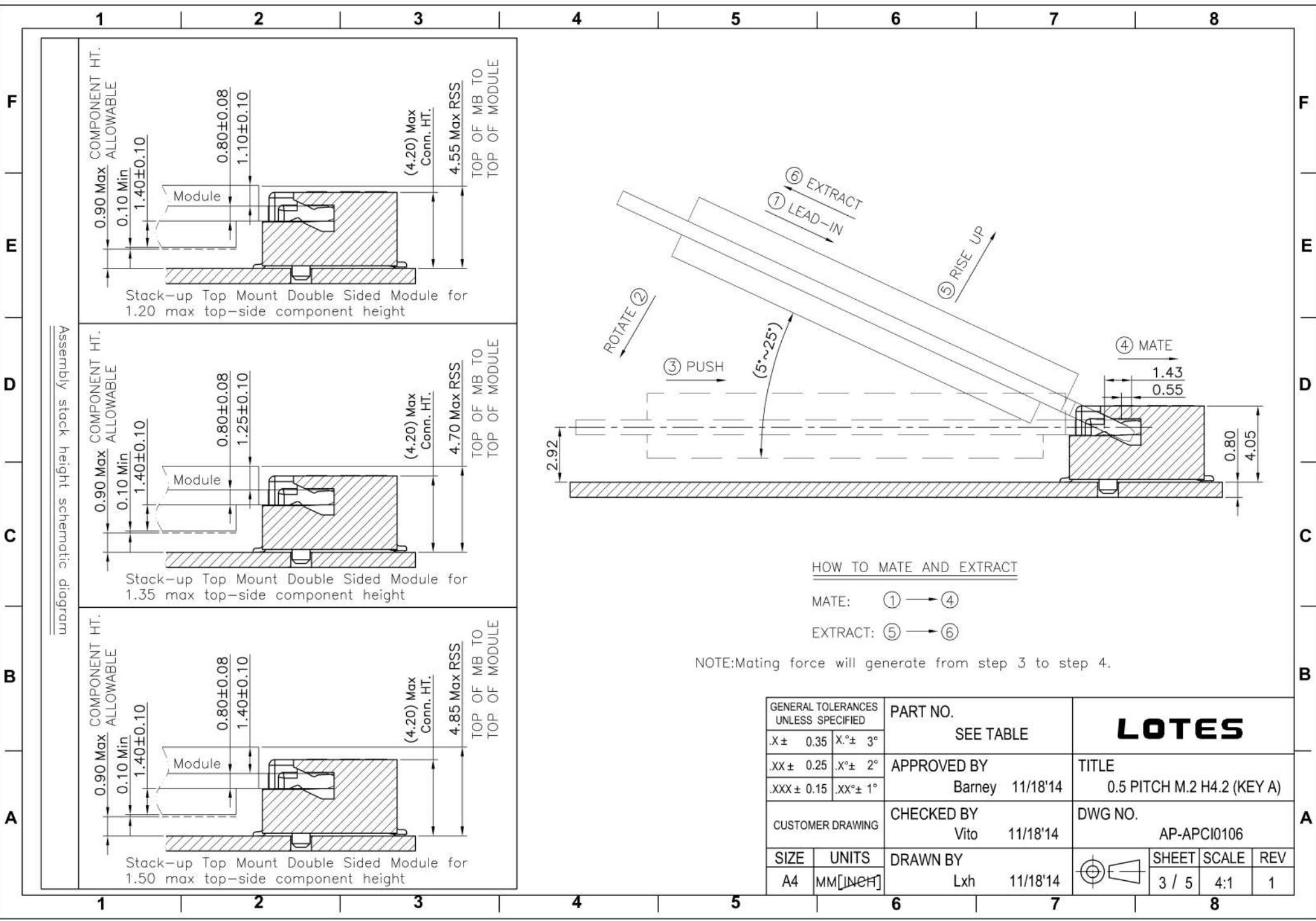
THE TEMPERATURE SHALL BE 260±5°C MAINTAINING 10±1 SECONDS.
 - PRODUCT NUMBER NOTE:

TABLE:

NO.	PART NO.	DESCRIPTION	DURABILITY
1	APCI0106-P001A	GOLD G/F ON CONTACT AREA	25 CYCLES
		GOLD G/F ON SOLDER AREA	
2	APCI0106-P002A	GOLD 10u" ON CONTACT AREA	25 CYCLES
		GOLD G/F ON SOLDER AREA	
3	APCI0106-P003A	GOLD 15u" ON CONTACT AREA	25 CYCLES
		GOLD G/F ON SOLDER AREA	
4	APCI0106-P004A	GOLD 30u" ON CONTACT AREA	60 CYCLES
		GOLD G/F ON SOLDER AREA	
5	APCI0106-P005A	GOLD G/F ON CONTACT AREA	25 CYCLES
		80u" MIN. MATTE TIN ON SOLDER AREA	
6	APCI0106-P006A	GOLD 10u" ON CONTACT AREA	25 CYCLES
		80u" MIN. MATTE TIN ON SOLDER AREA	
7	APCI0106-P007A	GOLD 15u" ON CONTACT AREA	25 CYCLES
		80u" MIN. MATTE TIN ON SOLDER AREA	
8	APCI0106-P008A	GOLD 30u" ON CONTACT AREA	60 CYCLES
		80u" MIN. MATTE TIN ON SOLDER AREA	



GENERAL TOLERANCES UNLESS SPECIFIED		PART NO.	LOTES			
X ± 0.35	X ° ± 3°	SEE TABLE				
.XX ± 0.25	X ° ± 2°	APPROVED BY	TITLE 0.5 PITCH M.2 H4.2 (KEY A)			
.XXX ± 0.15	.XX ° ± 1°	Barney 11/18'14				
CUSTOMER DRAWING		CHECKED BY	DWG NO. AP-APCI0106			
		Vito 11/18'14				
SIZE	UNITS	DRAWN BY		SHEET	SCALE	REV
A4	MM[INCH]	Lxh 11/18'14		2 / 5	4:1	1

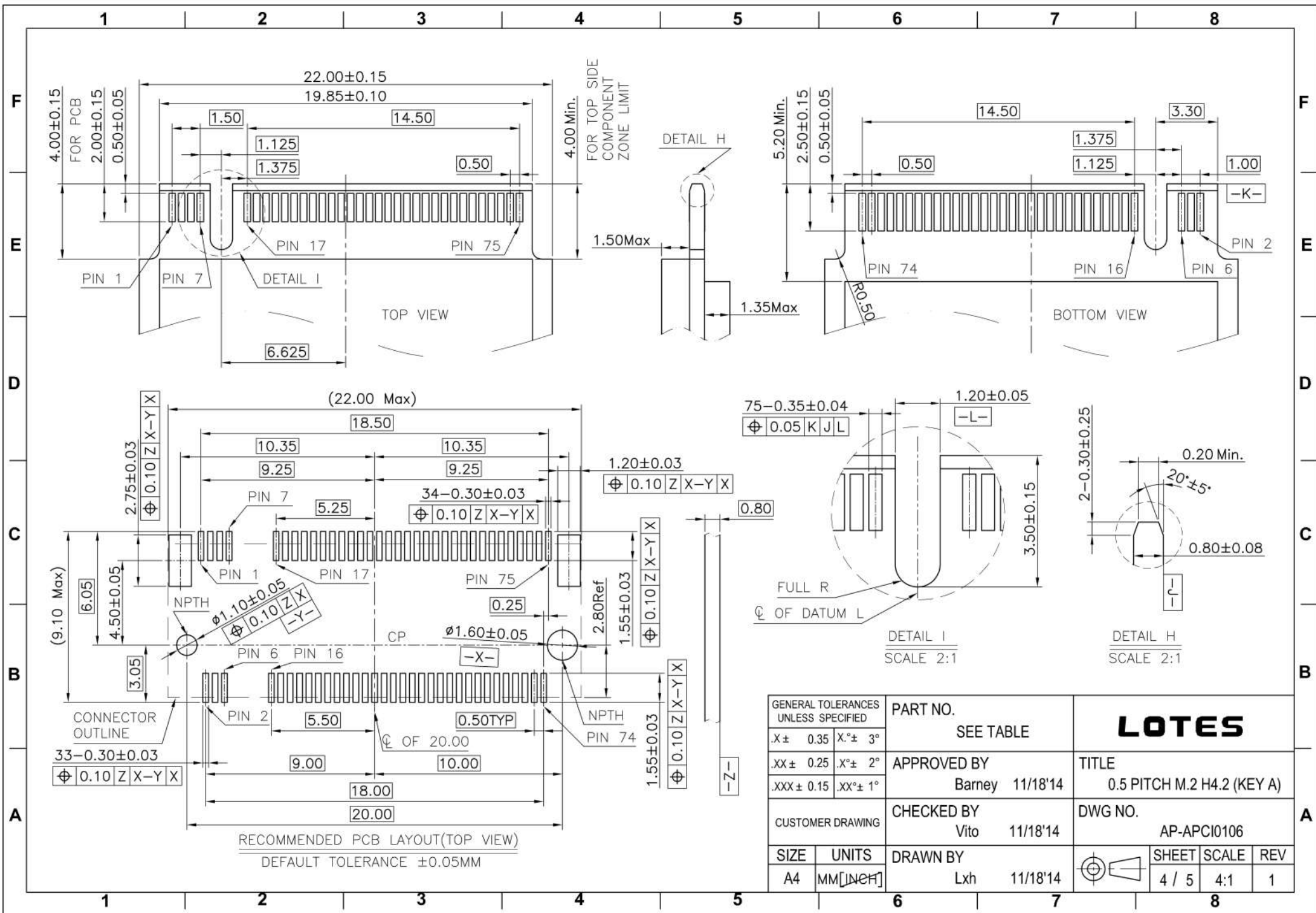


HOW TO MATE AND EXTRACT

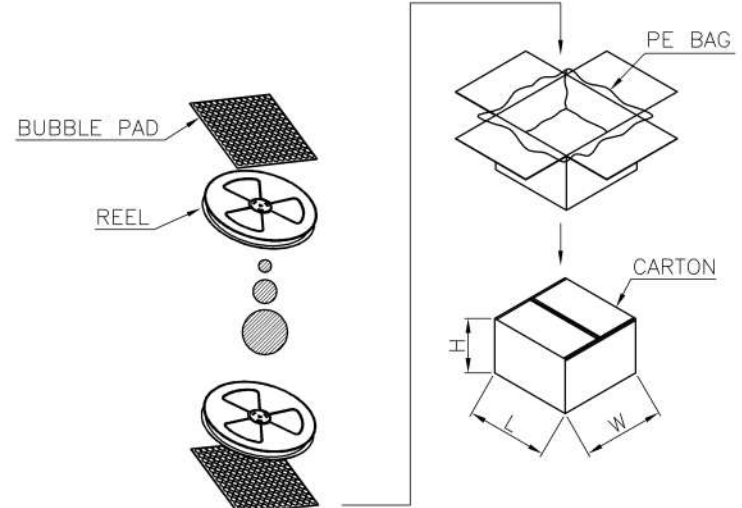
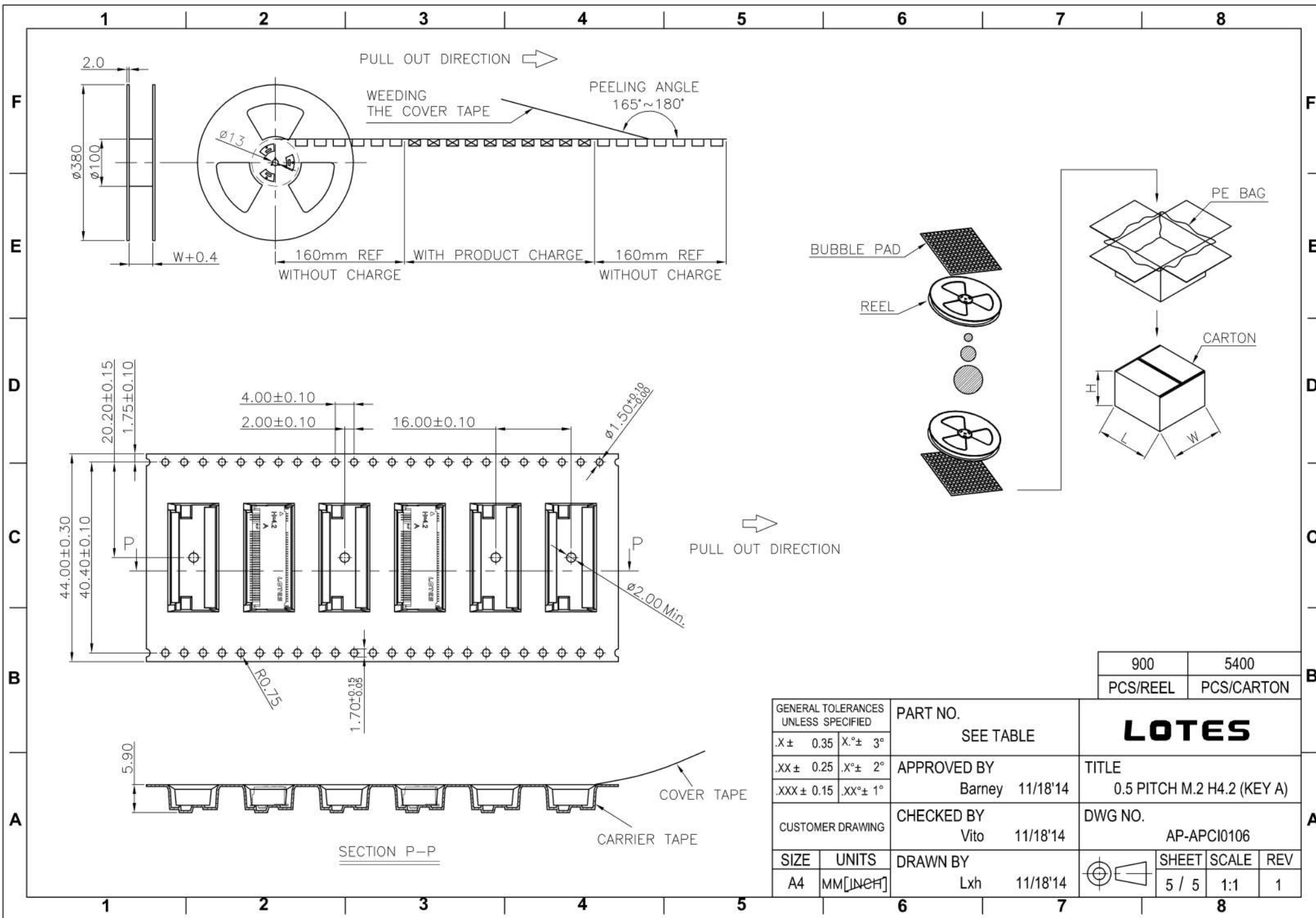
- MATE: ① → ④
 EXTRACT: ⑤ → ⑥

NOTE: Mating force will generate from step 3 to step 4.

GENERAL TOLERANCES UNLESS SPECIFIED		PART NO. SEE TABLE	LOTES			
X ± 0.35	X° ± 3°					
.XX ± 0.25	.X° ± 2°		APPROVED BY Barney 11/18'14	TITLE 0.5 PITCH M.2 H4.2 (KEY A)		
XXX ± 0.15	.XX° ± 1°	CHECKED BY Vito 11/18'14	DWG NO. AP-APCI0106			
CUSTOMER DRAWING	SIZE A4	UNITS MM [INCH]	DRAWN BY Lxh 11/18'14	SHEET 3 / 5	SCALE 4:1	REV 1



GENERAL TOLERANCES UNLESS SPECIFIED		PART NO. SEE TABLE	LOTES					
X± 0.35	X.°± 3°					APPROVED BY Barney 11/18'14	TITLE 0.5 PITCH M.2 H4.2 (KEY A)	
.XX± 0.25	.X°± 2°					CHECKED BY Vito 11/18'14	DWG NO. AP-APCI0106	
XXX± 0.15	.XX°± 1°	CUSTOMER DRAWING	DRAWN BY Lxh 11/18'14	SHEET 4 / 5	SCALE 4:1			
SIZE A4	UNITS MM [INCH]	REV 1						



900	5400
PCS/REEL	PCS/CARTON

GENERAL TOLERANCES UNLESS SPECIFIED		PART NO. SEE TABLE	LOTES			
X ± 0.35	X.° ± 3°					
.XX ± 0.25	.X.° ± 2°	APPROVED BY Barney 11/18'14	TITLE 0.5 PITCH M.2 H4.2 (KEY A)			
.XXX ± 0.15	.XX.° ± 1°	CHECKED BY Vito 11/18'14	DWG NO. AP-APCI0106			
CUSTOMER DRAWING		DRAWN BY Lxh 11/18'14		SHEET	SCALE	REV
SIZE A4	UNITS MM [INCH]			5 / 5	1:1	1

X-ON Electronics

Largest Supplier of Electrical and Electronic Components

Click to view similar products for [Standard Card Edge Connectors](#) category:

Click to view products by [LOTES](#) manufacturer:

Other Similar products are found below :

[CR7E-30DB-3.96E\(72\)](#) [6565204-6](#) [1437274-4](#) [EBT15622B2X](#) [1-582587-1](#) [284-0102-12100](#) [286-0052-12101A](#) [306022901000000](#) [307-012-502-202](#) [307-056-520-300](#) [A6D22DS29C2](#) [1926088-2](#) [287-0032-12101](#) [345-060-559-303](#) [392-008-559-201](#) [534671-1](#) [341-240-317](#) [345-044-500-300](#) [346-240-318](#) [387-012-523-300](#) [395-100-524-300](#) [09-07-2032](#) [10035388-802LF](#) [10115859-011LF](#) [10122859-009LF](#) [101269333204245CLF](#) [530555-1](#) [66925-516LF](#) [5145409-2](#) [73726-0005](#) [66308-1](#) [5036A30](#) [PEC-07-02-T-S-A](#) [346-014-520-801](#) [KSLX-62-BR](#) [307-048-502-202](#) [CE100F26-7-C](#) [CE100F28-3-D](#) [CE100F28-4-D](#) [CE156F18-9-C](#) [CE156F22-5-D](#) [CE156F22-9-C](#) [CT100F22-2-D](#) [CT100F22-3-D](#) [CT100F24-2-D](#) [CT100F24-3-D](#) [CT100F24-6-C](#) [CT156F22-4-D](#) [MLSS100-12-C](#) [MLSS100-16-C](#)