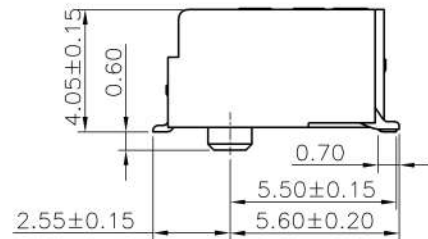
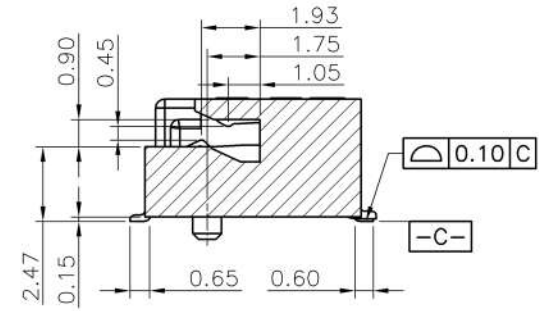
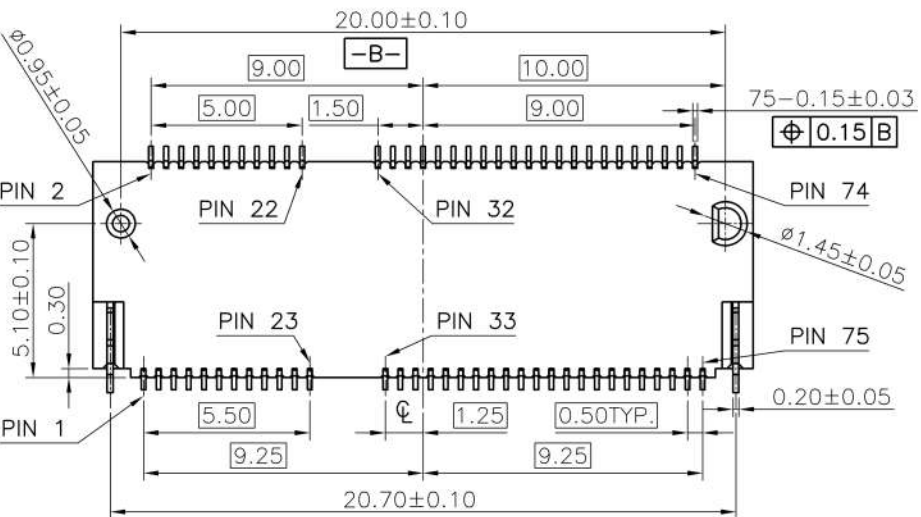
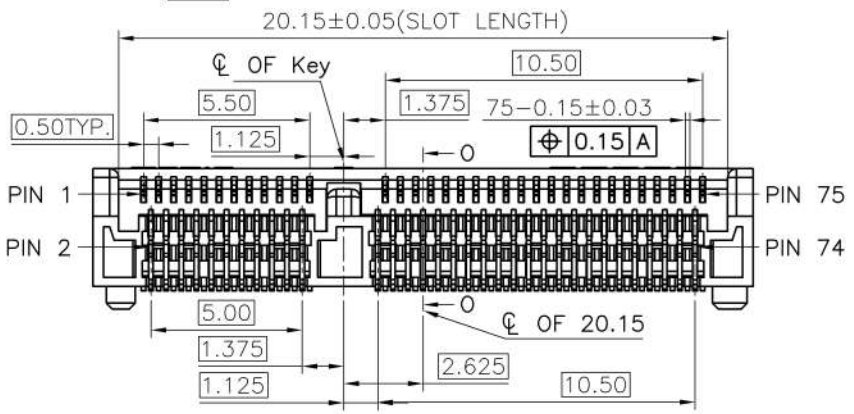
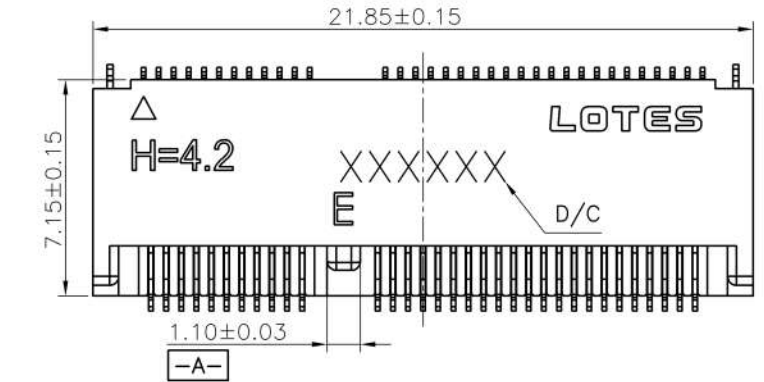


REV.	ECR/N NO./DESCRIPTION	DATE	DRAWN	CHECKED	APPROVE
1	SN14155	11/17'14	Lxh	Vito	Barney
1A	SN18***	01/19'18	Jingyan.Zhao	Vito	Ford

F  
E  
D  
C  
B  
A

F  
E  
D  
C  
B  
A



GENERAL TOLERANCES UNLESS SPECIFIED		PART NO.	<b>LOTES</b>
X $\pm$ 0.35	X° $\pm$ 3°	SEE TABLE	
XX $\pm$ 0.25	X° $\pm$ 2°	APPROVED BY Barney 11/17'14	TITLE 0.5 PITCH M.2 H4.2 (KEY E)
XXX $\pm$ 0.15	XX° $\pm$ 1°	CHECKED BY Vito 11/17'14	DWG NO. AP-APCI0108
CUSTOMER DRAWING		DRAWN BY Lxh 11/17'14	
SIZE A4	UNITS MM [INCH]		SHEET 1 / 5
			SCALE 4:1
			REV 1A

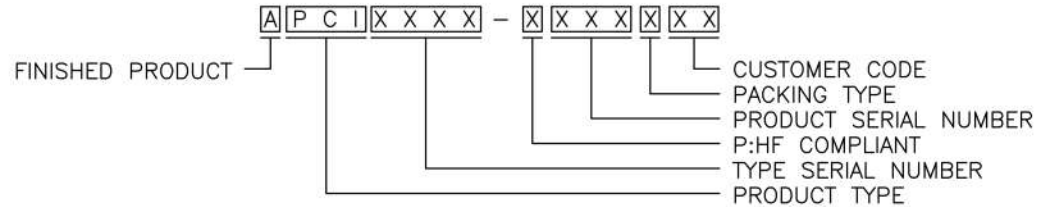
1 2 3 4 5 6 7 8

TABLE:

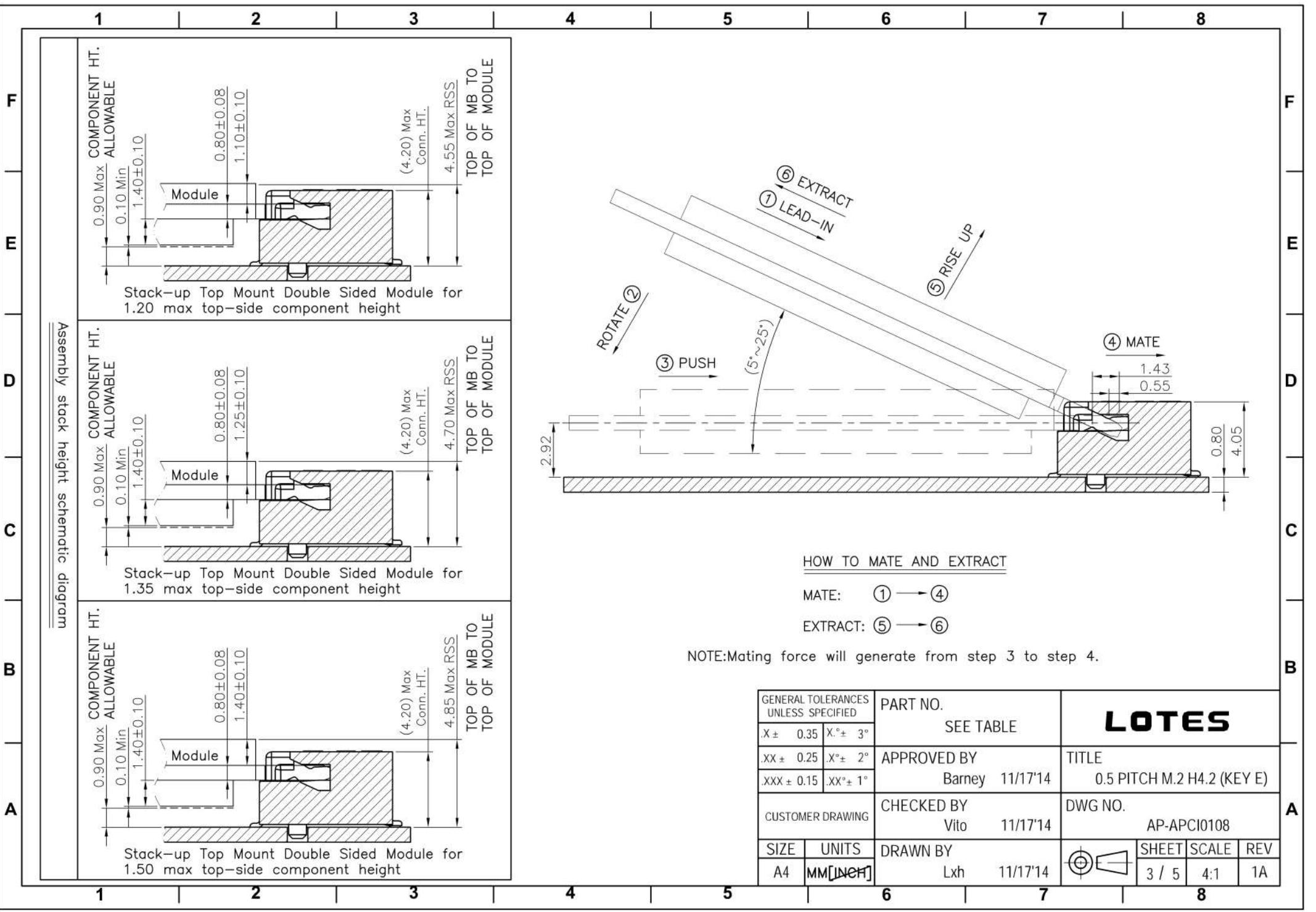
NO.	PART NO.	DESCRIPTION	DURABILITY
1	APCI0108-P001A	GOLD G/F ON CONTACT AREA	25 CYCLES
		GOLD G/F ON SOLDER AREA	
2	APCI0108-P002A	GOLD 10u" ON CONTACT AREA	25 CYCLES
		GOLD G/F ON SOLDER AREA	
3	APCI0108-P003A	GOLD 15u" ON CONTACT AREA	25 CYCLES
		GOLD G/F ON SOLDER AREA	
4	APCI0108-P004A	GOLD 30u" ON CONTACT AREA	60 CYCLES
		GOLD G/F ON SOLDER AREA	

Notes:

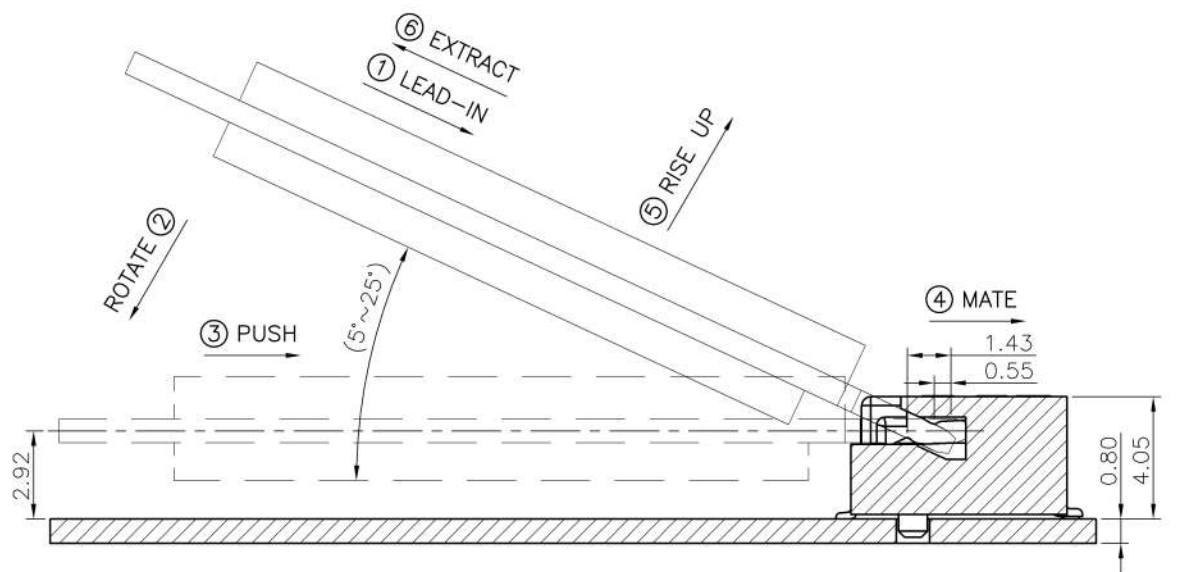
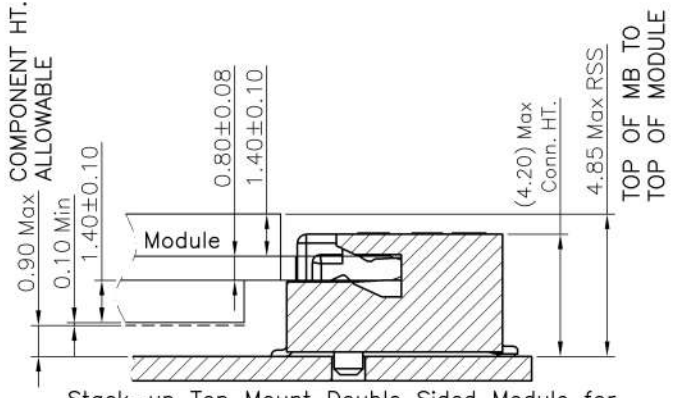
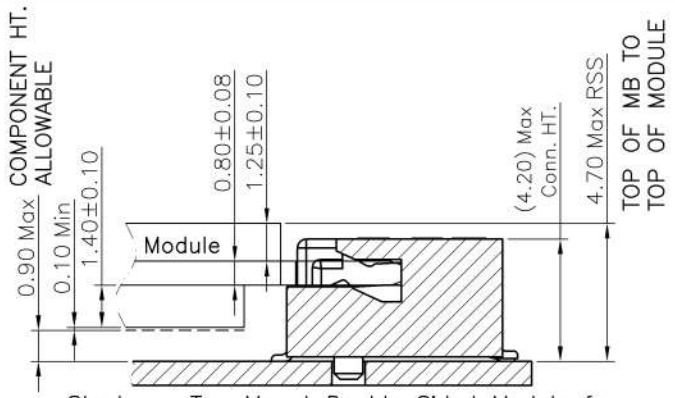
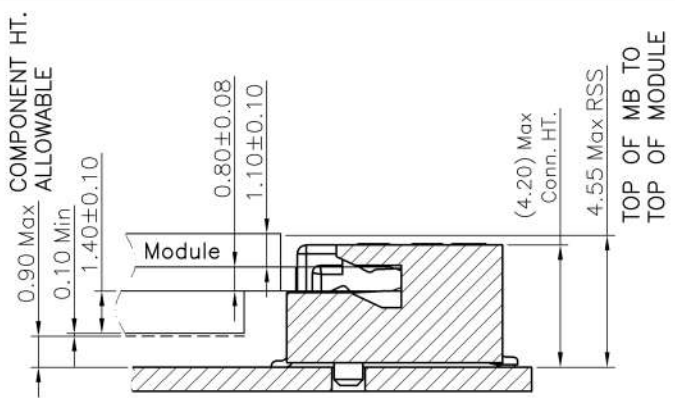
- MATERIAL SPECIFICATION:
  - HOUSING:LCP+40%GF,UL94V-0,COLOR:BLACK.
  - CONTACT:COPPER ALLOY.
  - PEG:STEEL.
- PLATING SPECIFICATION:
  - CONTACT:50u" MIN.NICKEL UNDER PLATING  
OVER ALL.PLATING ON SOLDER AREA:SEE TABLE  
GOLD PLATING ON CONTACT AREA:SEE TABLE
  - PEG:50u" MIN. NICKEL UNDER PLATING OVER ALL.  
80u" MIN. MATTE TIN PLATING ON SOLDER AREA.
- HF COMPLIANT, RoHS COMPLIANT.
- DATE CODE: XX XX XX  
 DAY  
 WEEK  
 YEAR
- MECHANICAL PERFORMANCE:
  - DURABILITY: SEE TABLE
- ELECTRICAL PERFORMANCE:
  - CURRENT: 0.5A PER PIN.
  - LLCR: INITIAL 55mΩ MAX.;FINAL ΔLLCR=20mΩ MAX.
- IR REFLOW:  
THE TEMPERATURE SHALL BE 260±5°C MAINTAINING 10±1 SECONDS.
- PRODUCT NUMBER NOTE:



GENERAL TOLERANCES UNLESS SPECIFIED		PART NO.	<b>LOTES</b>			
X ± 0.35	X° ± 3°	SEE TABLE	TITLE			
XX ± 0.25	XX° ± 2°	APPROVED BY Barney 11/17'14	0.5 PITCH M.2 H4.2 (KEY E)			
XXX ± 0.15	XXX° ± 1°	CHECKED BY Vito 11/17'14	DWG NO. AP-APCI0108			
SIZE	UNITS	DRAWN BY		SHEET	SCALE	REV
A4	MM [INCH]	Lxh 11/17'14		2 / 5	4:1	1A



Assembly schematic diagram

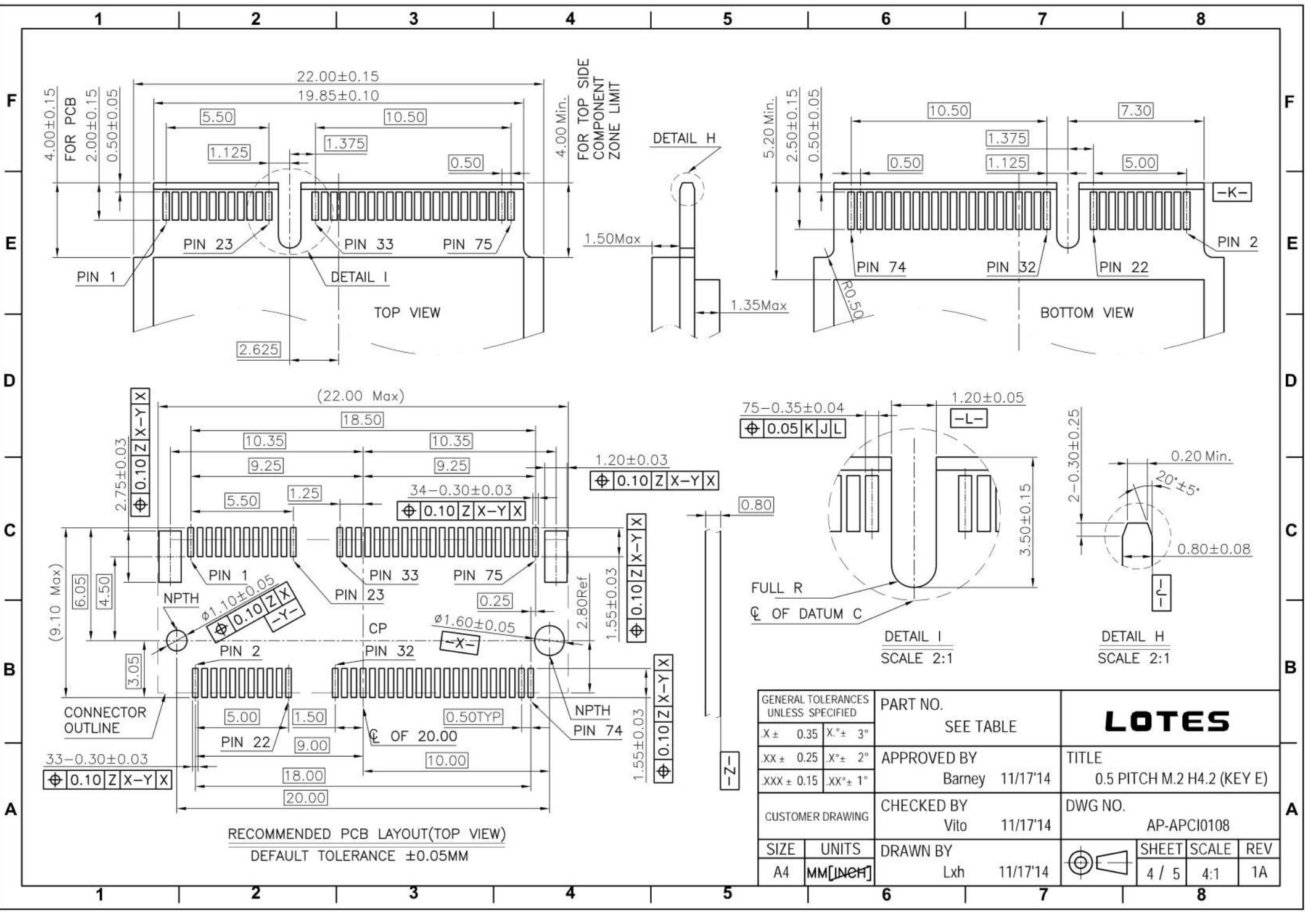


HOW TO MATE AND EXTRACT

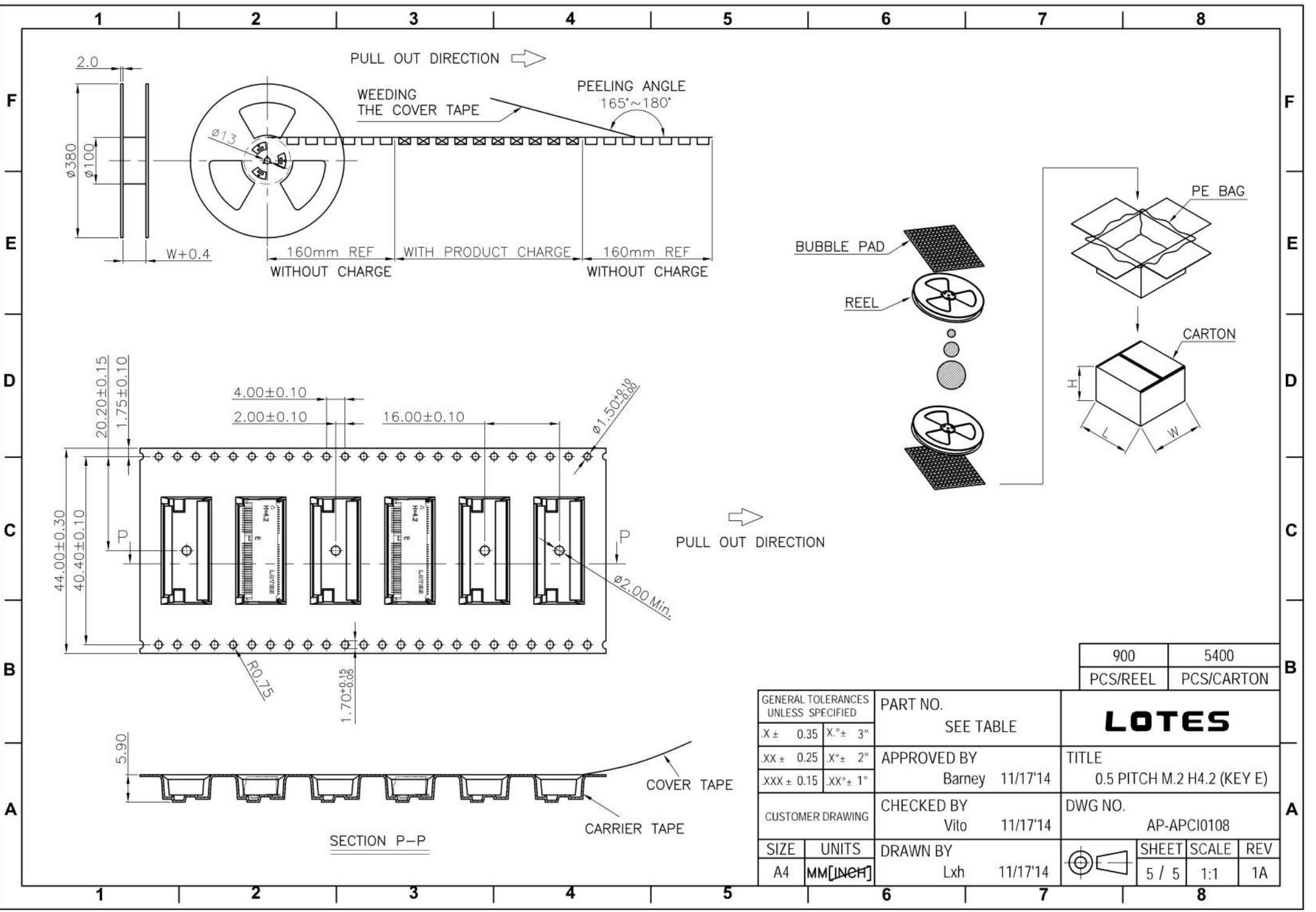
- MATE: ① → ④
- EXTRACT: ⑤ → ⑥

NOTE: Mating force will generate from step 3 to step 4.

GENERAL TOLERANCES UNLESS SPECIFIED		PART NO.	<b>LOTES</b>			
X ± 0.35	X° ± 3°	SEE TABLE				
XX ± 0.25	.X° ± 2°	APPROVED BY	TITLE			
.XXX ± 0.15	.XX° ± 1°	Barney 11/17'14	0.5 PITCH M.2 H4.2 (KEY E)			
CUSTOMER DRAWING		CHECKED BY	DWG NO.			
		Vito 11/17'14	AP-APCI0108			
SIZE	UNITS	DRAWN BY		SHEET	SCALE	REV
A4	MM [INCH]	Lxh 11/17'14		3 / 5	4:1	1A



GENERAL TOLERANCES UNLESS SPECIFIED		PART NO.	<b>LOTES</b>			
X ± 0.35	X° ± 3°	SEE TABLE				
XX ± 0.25	X° ± 2°	APPROVED BY	TITLE			
.XXX ± 0.15	.XX° ± 1°	Barney 11/17'14	0.5 PITCH M.2 H4.2 (KEY E)			
CUSTOMER DRAWING		CHECKED BY	DWG NO.			
		Vito 11/17'14	AP-APCI0108			
SIZE	UNITS	DRAWN BY		SHEET	SCALE	REV
A4	MM [INCH]	Lxh 11/17'14		4 / 5	4:1	1A



GENERAL TOLERANCES UNLESS SPECIFIED		PART NO.	<b>LOTES</b>			
X ± 0.35	X° ± 3°	SEE TABLE				
XX ± 0.25	X° ± 2°	APPROVED BY	TITLE			
.XXX ± 0.15	.XX° ± 1°	Barney 11/17'14	0.5 PITCH M.2 H4.2 (KEY E)			
CUSTOMER DRAWING		CHECKED BY	DWG NO.			
		Vito 11/17'14	AP-APCI0108			
SIZE	UNITS	DRAWN BY		SHEET	SCALE	REV
A4	MM [INCH]	Lxh 11/17'14		5 / 5	1:1	1A

900	5400
PCS/REEL	PCS/CARTON

## X-ON Electronics

Largest Supplier of Electrical and Electronic Components

*Click to view similar products for [Standard Card Edge Connectors](#) category:*

*Click to view products by [LOTES](#) manufacturer:*

Other Similar products are found below :

[CR7E-30DB-3.96E\(72\)](#) [6565204-6](#) [1437274-4](#) [EBT15622B2X](#) [1-582587-1](#) [284-0102-12100](#) [286-0052-12101A](#) [306022901000000](#) [307-012-502-202](#) [307-056-520-300](#) [A6D22DS29C2](#) [1926088-2](#) [287-0032-12101](#) [345-060-559-303](#) [392-008-559-201](#) [534671-1](#) [341-240-317](#) [345-044-500-300](#) [346-240-318](#) [387-012-523-300](#) [395-100-524-300](#) [09-07-2032](#) [10035388-802LF](#) [10115859-011LF](#) [10122859-009LF](#) [101269333204245CLF](#) [530555-1](#) [66925-516LF](#) [5145409-2](#) [73726-0005](#) [66308-1](#) [5036A30](#) [PEC-07-02-T-S-A](#) [346-014-520-801](#) [KSLX-62-BR](#) [307-048-502-202](#) [CE100F26-7-C](#) [CE100F28-3-D](#) [CE100F28-4-D](#) [CE156F18-9-C](#) [CE156F22-5-D](#) [CE156F22-9-C](#) [CT100F22-2-D](#) [CT100F22-3-D](#) [CT100F24-2-D](#) [CT100F24-3-D](#) [CT100F24-6-C](#) [CT156F22-4-D](#) [MLSS100-12-C](#) [MLSS100-16-C](#)