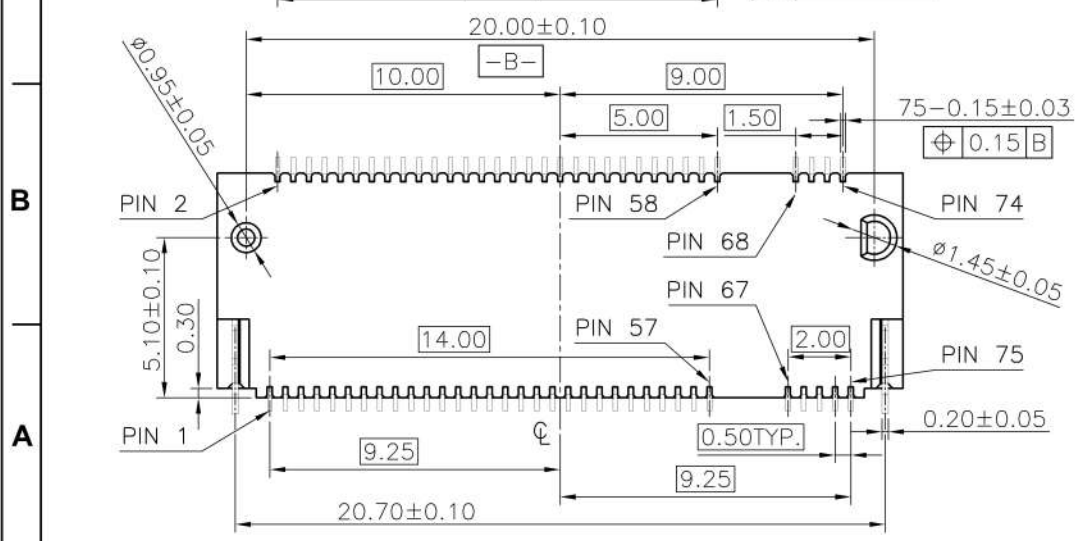
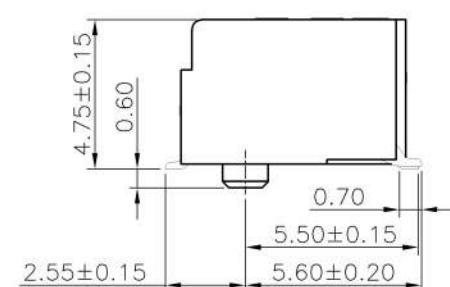
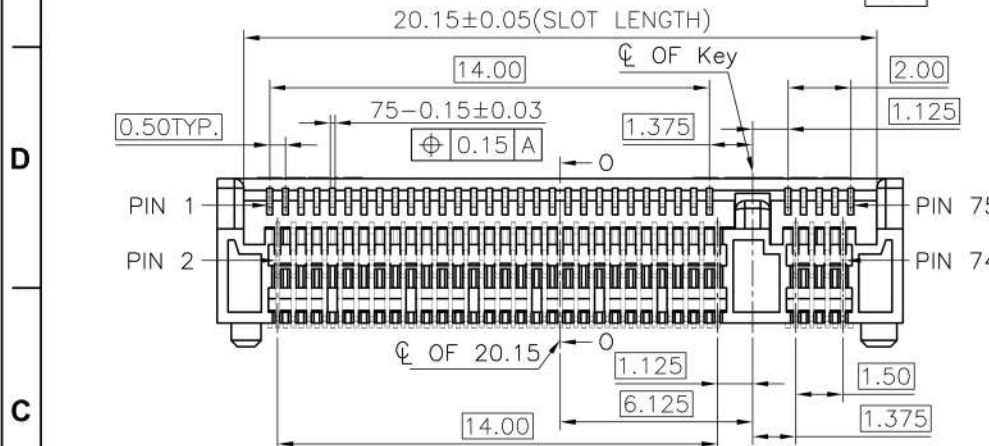
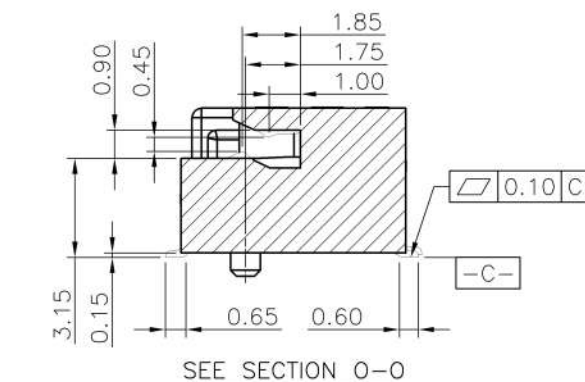
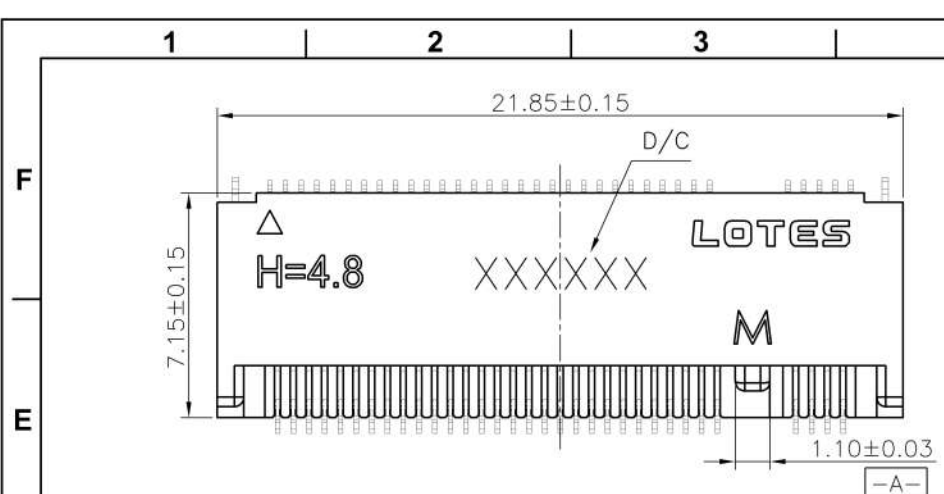


REV.	ECR/N NO./DESCRIPTION	DATE	DRAWN	CHECKED	APPROVE
1	SN15037	04/29'15	Lxh	Vito	Barney
1A	SN16***	03/21'16	Jinjin.Tu	Vito	Gear



GENERAL TOLERANCES UNLESS SPECIFIED		PART NO.	<b>LOTES</b>
X± 0.35	X.°± 3°	SEE TABLE	
.XX± 0.25	X.°± 2°	APPROVED BY	TITLE
.XXX± 0.15	XX°± 1°	Barney	0.5MM PITCH M.2 H4.8 (KEY M)
CUSTOMER DRAWING		CHECKED BY	DWG NO.
		Vito	AP-APCI0113
SIZE	UNITS	DRAWN BY	SHEET
A4	MM [INCH]	Lxh	1 / 5
			SCALE
			4:1
			REV
			1A

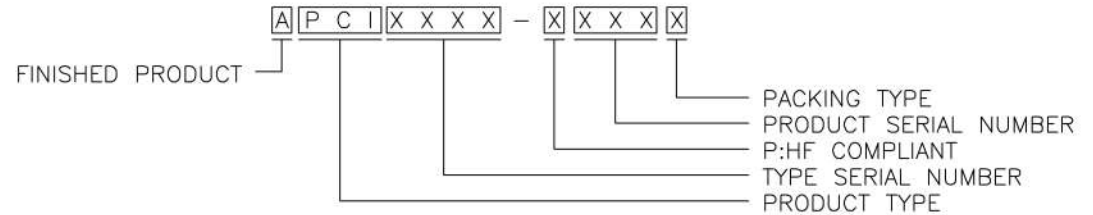
TABLE:

NO.	PART NO.	DESCRIPTION	DURABILITY
1	APCI0113-P001A	GOLD G/F ON CONTACT AREA	25 CYCLES
		GOLD G/F ON SOLDER AREA	
2	APCI0113-P002A	GOLD 10u" ON CONTACT AREA	25 CYCLES
		GOLD G/F ON SOLDER AREA	
3	APCI0113-P003A	GOLD 15u" ON CONTACT AREA	25 CYCLES
		GOLD G/F ON SOLDER AREA	
4	APCI0113-P004A	GOLD 30u" ON CONTACT AREA	60 CYCLES
		GOLD G/F ON SOLDER AREA	

Notes:

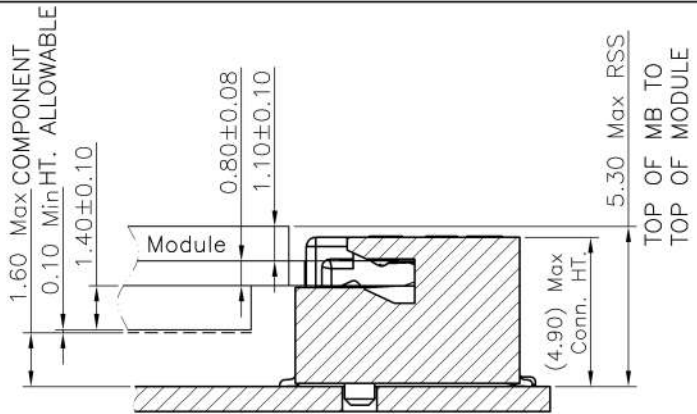
1. MATERIAL SPECIFICATION:
  - 1.1. HOUSING:LCP+40%GF,UL94V-0,COLOR:BLACK.
  - 1.2. CONTACT:COPPER ALLOY.
  - 1.3. PEG:STEEL.
2. PLATING SPECIFICATION:
  - 2.1. CONTACT:50u" MIN.NICKEL UNDER PLATING OVER ALL.PLATING ON SOLDER AREA:SEE TABLE GOLD PLATING ON CONTACT AREA:SEE TABLE
  - 2.2. PEG:50u" MIN. NICKEL UNDER PLATING OVER ALL. 80u" MIN. MATTE TIN PLATING ON SOLDER AREA.
3. HF COMPLIANT, RoHS COMPLIANT.
4. DATE CODE: XX XX XX  
 DAY  
 WEEK  
 YEAR
5. MECHANICAL PERFORMANCE:
  - 5.1. DURABILITY: SEE TABLE
6. ELECTRICAL PERFORMANCE:
  - 6.1. CURRENT: 0.5A PER PIN.
  - 6.2. LLCR: INITIAL 55mΩ MAX.;FINAL ΔLLCR=20mΩ MAX.
7. IR REFLOW:  
 THE TEMPERATURE SHALL BE 260±5°C MAINTAINING 10±1 SECONDS.

8. PRODUCT NUMBER NOTE:

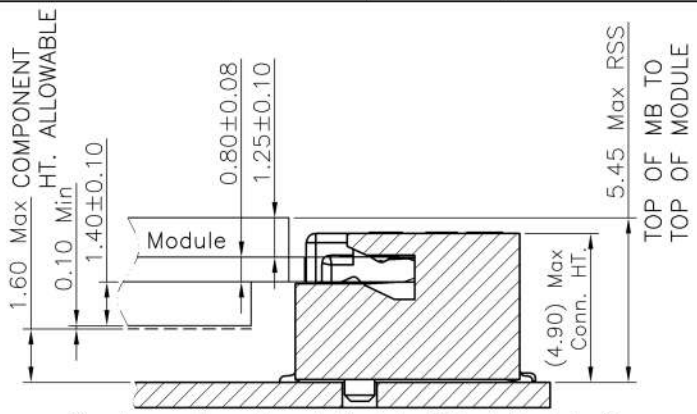


GENERAL TOLERANCES UNLESS SPECIFIED		PART NO. SEE TABLE	<b>LOTES</b>			
X ± 0.35	X° ± 3°					APPROVED BY Barney
.XX ± 0.25	.X° ± 2°					
.XXX ± 0.15	.XX° ± 1°	CHECKED BY Vito	DWG NO. AP-APCI0113			
CUSTOMER DRAWING		DRAWN BY Lxh		SHEET	SCALE	REV
SIZE A4	UNITS MM [INCH]			2 / 5	4:1	1A

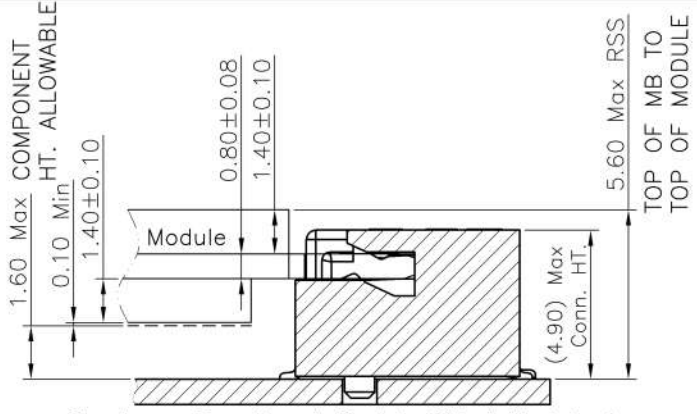
Assembly stack height schematic diagram



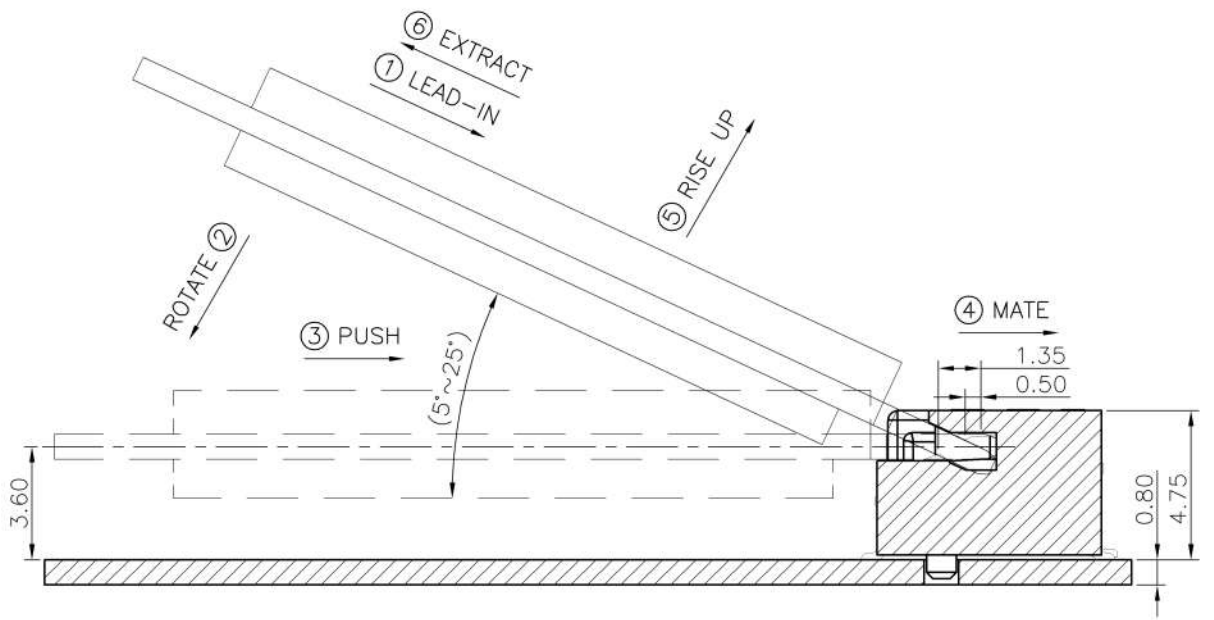
Stack-up Top Mount Double Sided Module for 1.20 max top-side component height



Stack-up Top Mount Double Sided Module for 1.35 max top-side component height



Stack-up Top Mount Double Sided Module for 1.50 max top-side component height




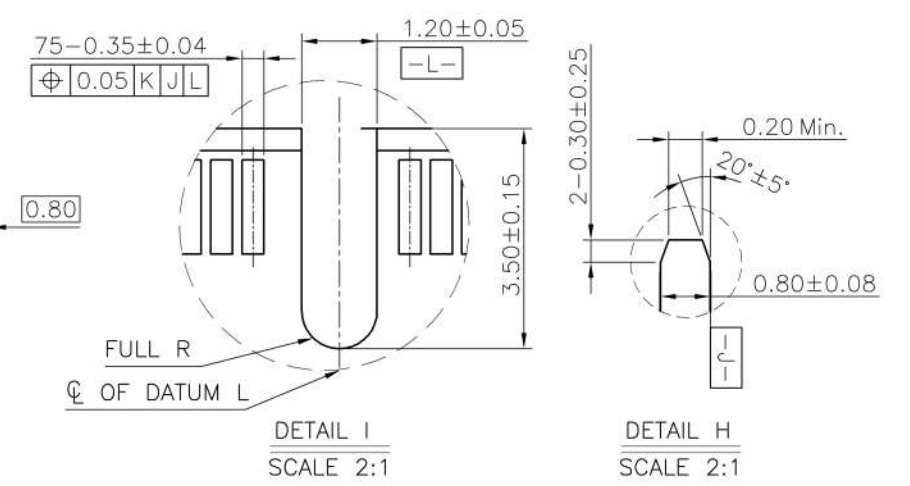
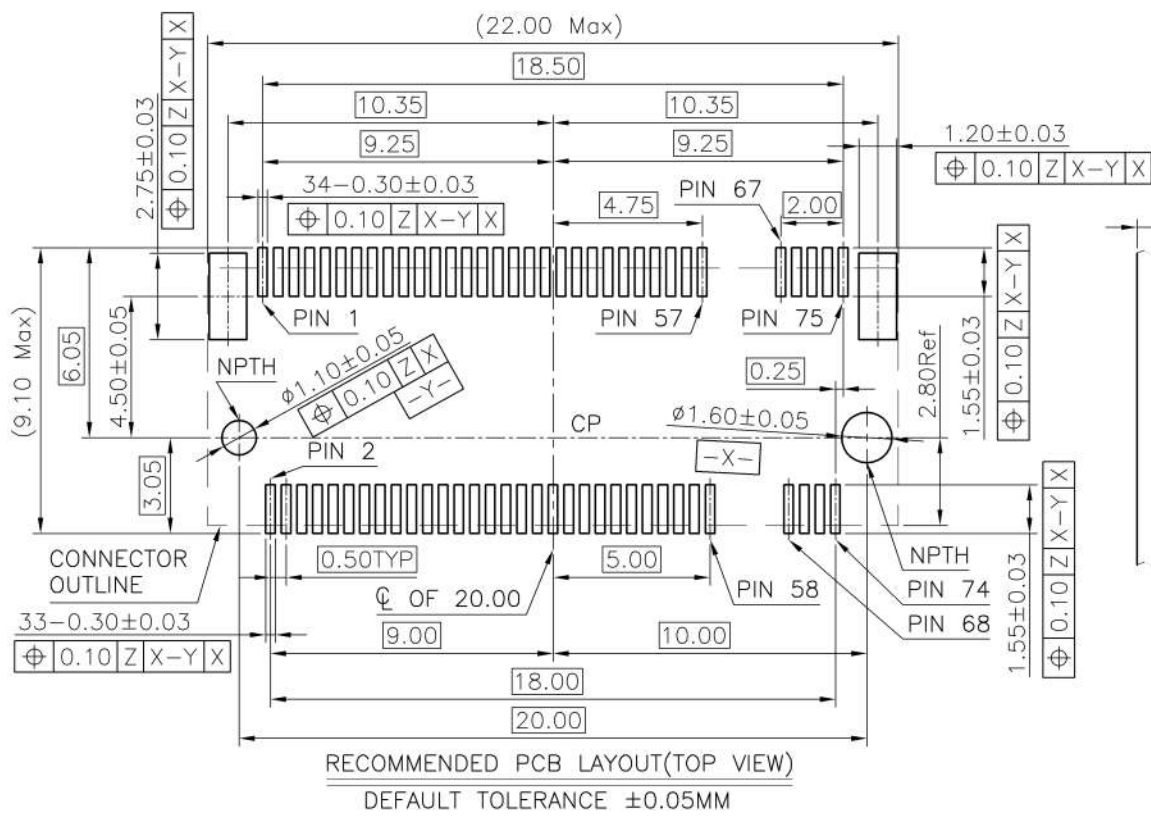
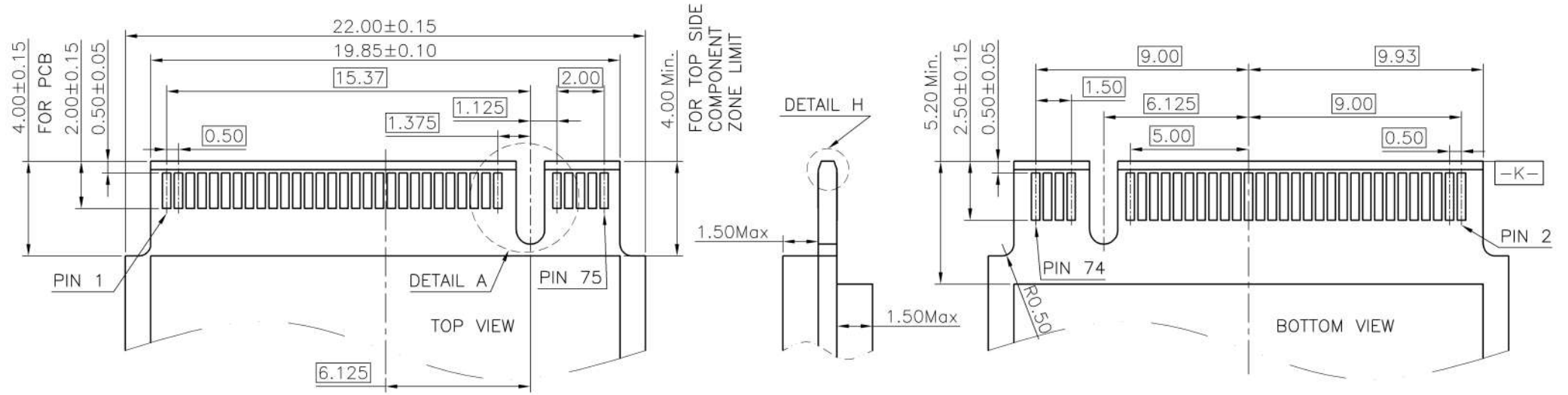
HOW TO MATE AND EXTRACT

MATE: ① → ④

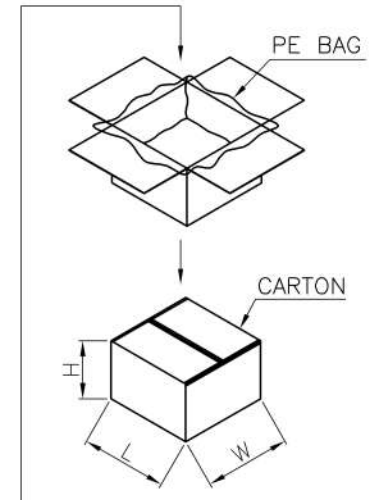
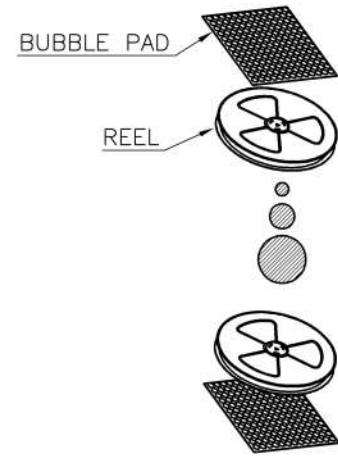
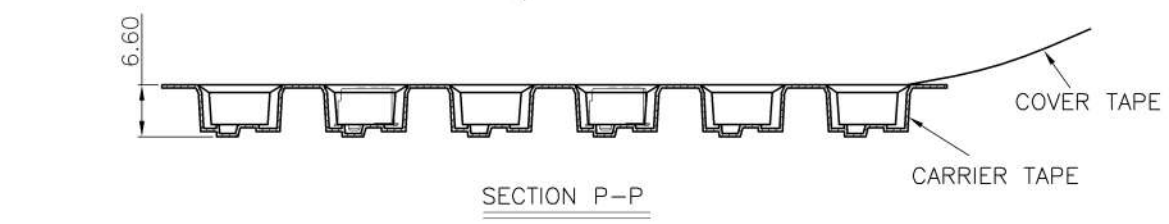
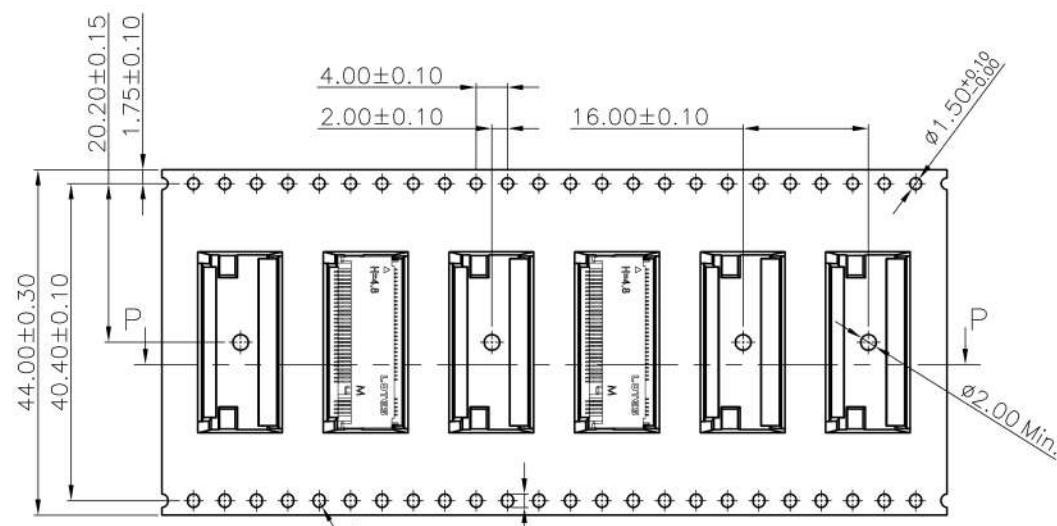
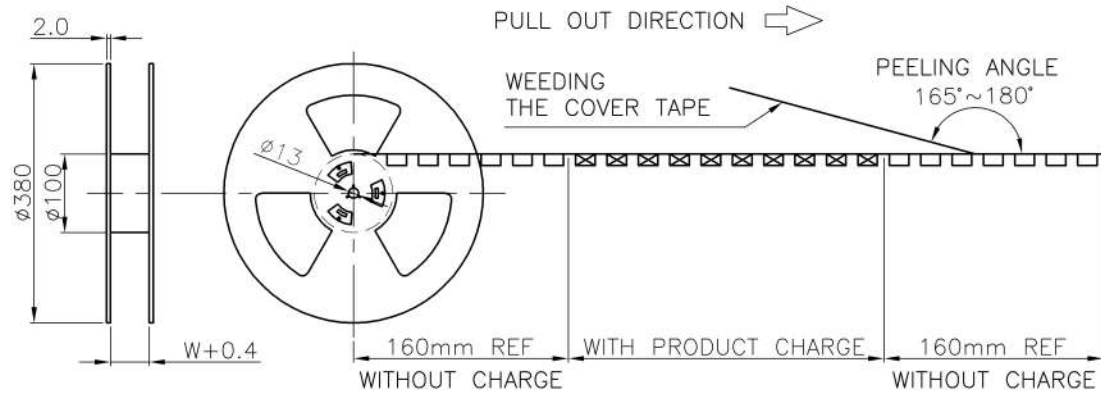
EXTRACT: ⑤ → ⑥

NOTE: Mating force will generate from step 3 to step 4.

GENERAL TOLERANCES UNLESS SPECIFIED		PART NO.	<b>LOTES</b>			
SEE TABLE		SEE TABLE				
X± 0.35	X.°± 3°	APPROVED BY	TITLE			
.XX± 0.25	X.°± 2°	Barney	0.5MM PITCH M.2 H4.8 (KEY M)			
.XXX± 0.15	XX°± 1°	CHECKED BY	DWG NO.			
CUSTOMER DRAWING		Vito	AP-APCI0113			
SIZE	UNITS	DRAWN BY		SHEET	SCALE	REV
A4	MM [INCH]	Lxh		3 / 5	4:1	1A



GENERAL TOLERANCES UNLESS SPECIFIED		PART NO.	<b>LOTES</b>		
SEE TABLE		SEE TABLE			
X± 0.35	X.°± 3°	APPROVED BY	TITLE		
.XX± 0.25	X.°± 2°	Barney	0.5MM PITCH M.2 H4.8 (KEY M)		
.XXX± 0.15	XX°± 1°	CHECKED BY	DWG NO.		
CUSTOMER DRAWING		Vito	AP-APCI0113		
SIZE	UNITS	DRAWN BY	SHEET SCALE REV		
A4	MM [INCH]	Lxh	4 / 5	4:1	1A



900	5400
PCS/REEL	PCS/CARTON

GENERAL TOLERANCES UNLESS SPECIFIED		PART NO. SEE TABLE	<b>LOTES</b>		
X± 0.35	X.°± 3°				
.XX± 0.25	X.°± 2°	APPROVED BY Barney	TITLE 0.5MM PITCH M.2 H4.8 (KEY M)		
.XXX± 0.15	XX°± 1°	CHECKED BY Vito	DWG NO. AP-APCI0113		
CUSTOMER DRAWING		DRAWN BY Lxh	SHEET 5 / 5	SCALE 1:1	REV 1A
SIZE A4	UNITS MM [INCH]				

## X-ON Electronics

Largest Supplier of Electrical and Electronic Components

*Click to view similar products for [Standard Card Edge Connectors](#) category:*

*Click to view products by [LOTES](#) manufacturer:*

Other Similar products are found below :

[CR7E-30DB-3.96E\(72\)](#) [6565204-6](#) [1437274-4](#) [EBT15622B2X](#) [1-582587-1](#) [284-0102-12100](#) [286-0052-12101A](#) [306022901000000](#) [307-012-502-202](#) [307-056-520-300](#) [A6D22DS29C2](#) [1926088-2](#) [287-0032-12101](#) [345-060-559-303](#) [392-008-559-201](#) [534671-1](#) [341-240-317](#) [345-044-500-300](#) [346-240-318](#) [387-012-523-300](#) [395-100-524-300](#) [09-07-2032](#) [10035388-802LF](#) [10115859-011LF](#) [10122859-009LF](#) [101269333204245CLF](#) [530555-1](#) [66925-516LF](#) [5145409-2](#) [73726-0005](#) [66308-1](#) [5036A30](#) [PEC-07-02-T-S-A](#) [346-014-520-801](#) [KSLX-62-BR](#) [307-048-502-202](#) [CE100F26-7-C](#) [CE100F28-3-D](#) [CE100F28-4-D](#) [CE156F18-9-C](#) [CE156F22-5-D](#) [CE156F22-9-C](#) [CT100F22-2-D](#) [CT100F22-3-D](#) [CT100F24-2-D](#) [CT100F24-3-D](#) [CT100F24-6-C](#) [CT156F22-4-D](#) [MLSS100-12-C](#) [MLSS100-16-C](#)