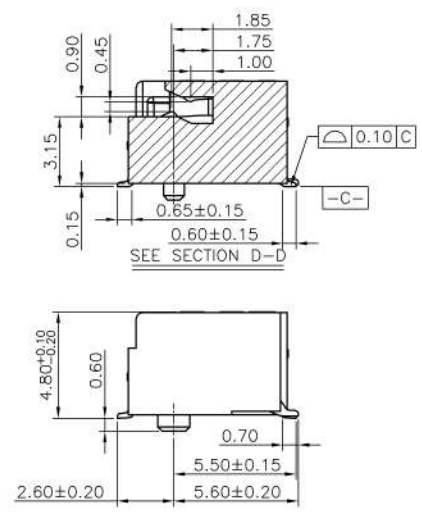
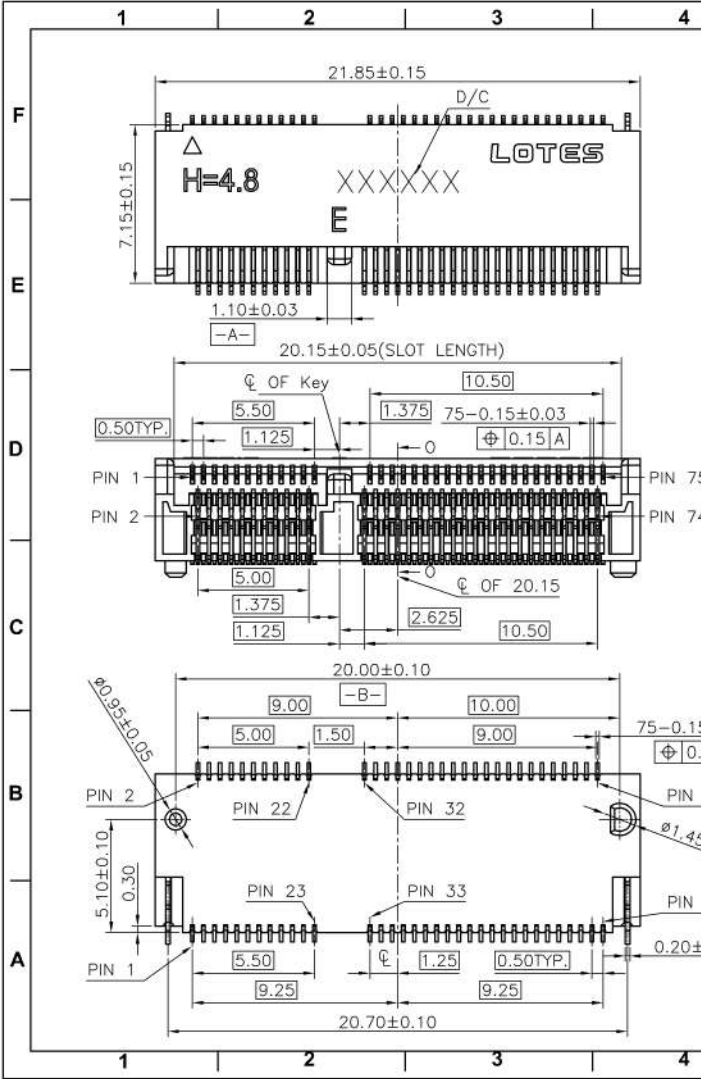


REV.	ECR/N NO./DESCRIPTION	DATE	DRAWN	CHECKED	APPROVE
C	RD140***	03/11'16	Jinjin.Tu	Vito	Gear
D	RD140***	03/14'16	Jinjin.Tu	Vito	Gear
E	RD140***	04/12'16	Jinjin.Tu	Vito	Gear



GENERAL TOLERANCES UNLESS SPECIFIED		PART NO.	LOTES
X ± 0.35	X° ± 3°	SEE TABLE	
XX ± 0.25	X° ± 2°	APPROVED BY	TITLE
XXX ± 0.15	XX° ± 1°	Barney	0.5PITCH 67PIN M.2 H4.8 (KEY E)
CUSTOMER DRAWING		CHECKED BY	DWG NO.
		Vito	AP-APCI0136
SIZE	UNITS	DRAWN BY	SHEET SCALE REV
A4	MM [INCH]	Lxh	

TABLE:

NO.	PART NO.	DESCRIPTION	DURABILITY
1	APCI0136-P001A	GOLD G/F ON CONTACT AREA	25 CYCLES
		GOLD G/F ON SOLDER AREA	
2	APCI0136-P002A	GOLD 10u" ON CONTACT AREA	25 CYCLES
		GOLD G/F ON SOLDER AREA	
3	APCI0136-P003A	GOLD 15u" ON CONTACT AREA	25 CYCLES
		GOLD G/F ON SOLDER AREA	
4	APCI0136-P004A	GOLD 30u" ON CONTACT AREA	60 CYCLES
		GOLD G/F ON SOLDER AREA	

Notes:

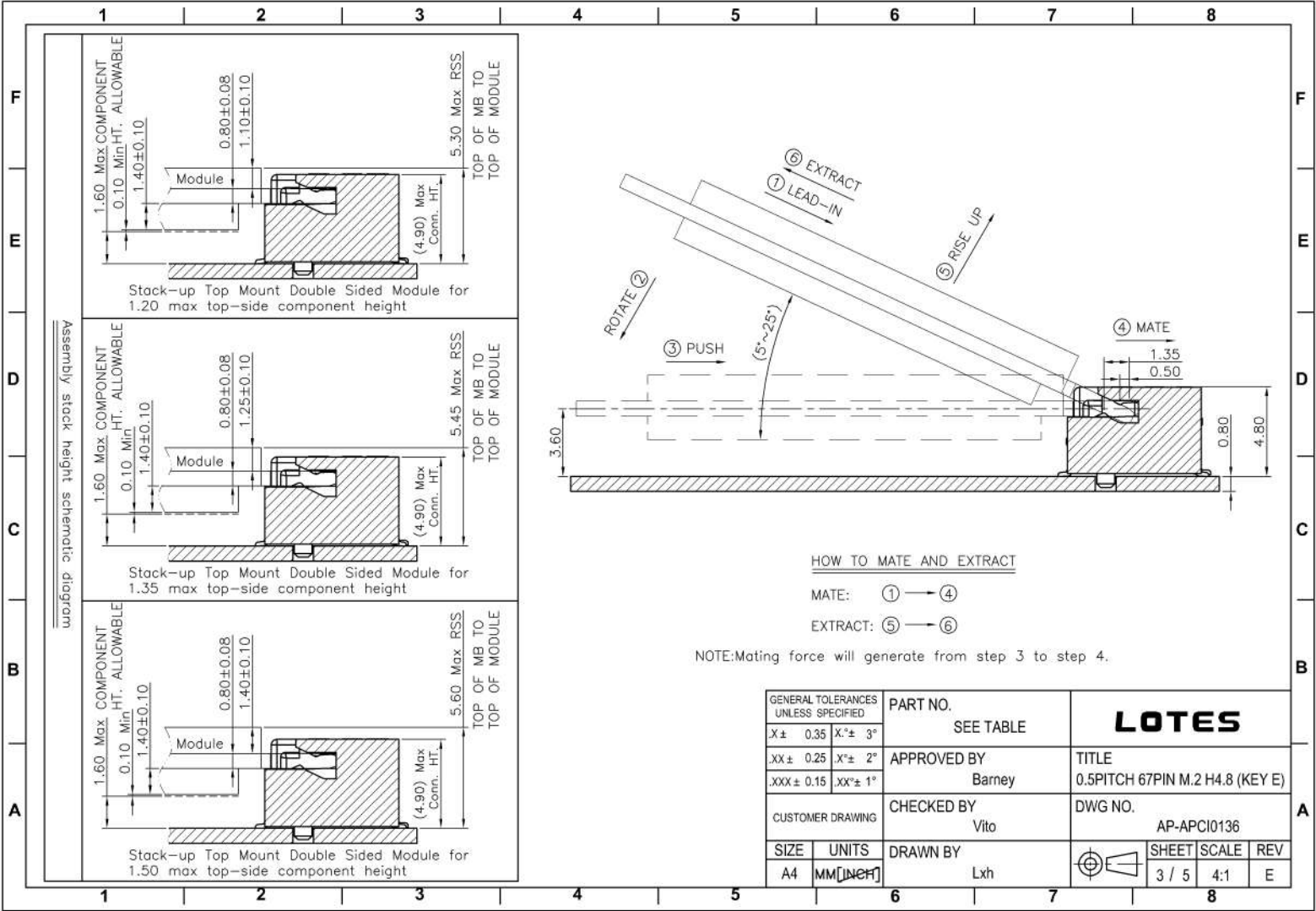
1. MATERIAL SPECIFICATION:
  - 1.1. HOUSING:LCP+40%GF,UL94V-0,COLOR:BLACK.
  - 1.2. CONTACT:COPPER ALLOY.
  - 1.3. PEG:STEEL.
2. PLATING SPECIFICATION:
  - 2.1. CONTACT:50u" MIN.NICKEL UNDER PLATING OVER ALL.PLATING ON SOLDER AREA:SEE TABLE GOLD PLATING ON CONTACT AREA:SEE TABLE
  - 2.2. PEG:50u" MIN. NICKEL UNDER PLATING OVER ALL. 80u" MIN. MATTE TIN PLATING ON SOLDER AREA.
3. HF COMPLIANT, RoHS COMPLIANT.
4. DATE CODE: XX XX XX  
 DAY  
 WEEK  
 YEAR
5. MECHANICAL PERFORMANCE:
  - 5.1. DURABILITY: SEE TABLE
6. ELECTRICAL PERFORMANCE:
  - 6.1. CURRENT: 0.5A PER PIN.
  - 6.2. LLCR: INITIAL 55mΩ MAX.;FINAL ΔLLCR=20mΩ MAX.
7. IR REFLOW:  
 THE TEMPERATURE SHALL BE 260±5°C MAINTAINING 10±1 SECONDS.
8. PRODUCT NUMBER NOTE:

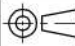
APCI0136-P001A

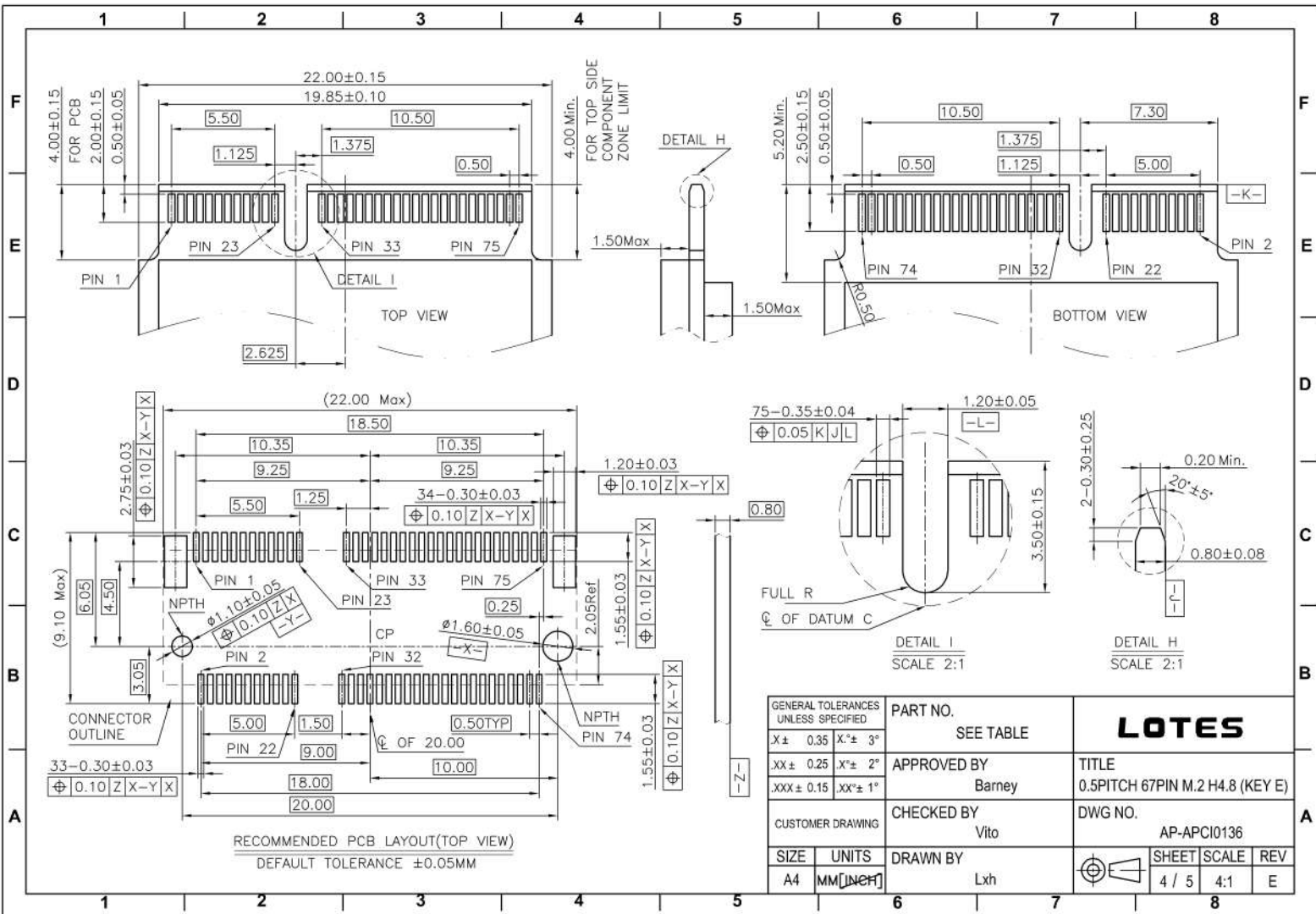
FINISHED PRODUCT

- PACKING TYPE
- PRODUCT SERIAL NUMBER
- P:HF COMPLIANT
- TYPE SERIAL NUMBER
- PRODUCT TYPE

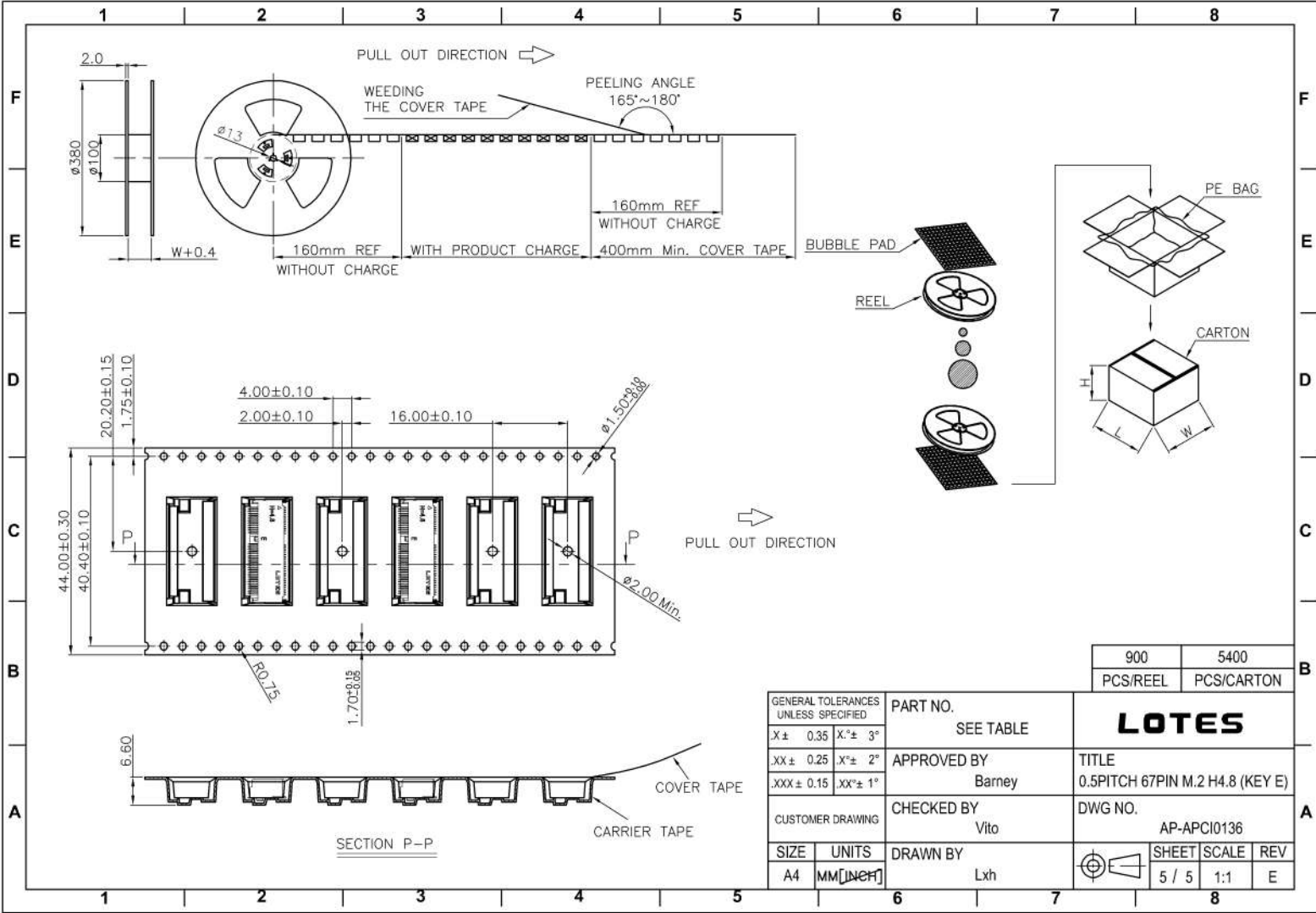
GENERAL TOLERANCES UNLESS SPECIFIED		PART NO. SEE TABLE	<b>LOTES</b>		
<del>X ± 0.35</del>	<del>X° ± 3°</del>	APPROVED BY Barney			
<del>XX ± 0.25</del>	<del>X° ± 2°</del>	CHECKED BY Vito	DWG NO. AP-APCI0136		
<del>XXX ± 0.15</del>	<del>XX° ± 1°</del>	DRAWN BY Lxh	SHEET SCALE REV 2 / 5 4:1 E		
SIZE A4	UNITS MM[INCH]				



GENERAL TOLERANCES UNLESS SPECIFIED		PART NO.	<b>LOTES</b>						
X ± 0.35	X° ± 3°	SEE TABLE							
XX ± 0.25	.X° ± 2°	APPROVED BY	TITLE						
XXX ± 0.15	.XX° ± 1°	Barney	0.5PITCH 67PIN M.2 H4.8 (KEY E)						
CUSTOMER DRAWING		CHECKED BY	DWG NO.						
		Vito	AP-APCI0136						
SIZE	UNITS	DRAWN BY	 <table border="1"> <tr> <th>SHEET</th> <th>SCALE</th> <th>REV</th> </tr> <tr> <td>3 / 5</td> <td>4:1</td> <td>E</td> </tr> </table>	SHEET	SCALE	REV	3 / 5	4:1	E
SHEET	SCALE	REV							
3 / 5	4:1	E							
A4	MM [INCH]	Lxh							



PART NO.		<b>LOTES</b>
SEE TABLE		
APPROVED BY		TITLE
Barney		0.5PITCH 67PIN M.2 H4.8 (KEY E)
CHECKED BY		DWG NO.
Vito		AP-APCI0136
SIZE	UNITS	SHEET
A4	MM [INCH]	4 / 5
DRAWN BY		SCALE
Lxh		4:1
		REV
		E



900	5400
PCS/REEL	PCS/CARTON

GENERAL TOLERANCES UNLESS SPECIFIED		PART NO.	SEE TABLE	<b>LOTES</b>		
X ± 0.35	X° ± 3°					
XX ± 0.25	X° ± 2°	APPROVED BY	Barney	TITLE		
XXX ± 0.15	XX° ± 1°	CUSTOMER DRAWING	Vito	0.5PITCH 67PIN M.2 H4.8 (KEY E)		
		CHECKED BY		DWG NO.		
		DRAWN BY	Lxh	AP-APCI0136		
SIZE	UNITS			SHEET	SCALE	REV
A4	MM [INCH]					

## X-ON Electronics

Largest Supplier of Electrical and Electronic Components

*Click to view similar products for [Standard Card Edge Connectors](#) category:*

*Click to view products by [LOTES](#) manufacturer:*

Other Similar products are found below :

[CR7E-30DB-3.96E\(72\)](#) [6565204-6](#) [1437274-4](#) [EBT15622B2X](#) [1-582587-1](#) [284-0102-12100](#) [286-0052-12101A](#) [306022901000000](#) [307-012-502-202](#) [307-056-520-300](#) [A6D22DS29C2](#) [1926088-2](#) [287-0032-12101](#) [345-060-559-303](#) [392-008-559-201](#) [534671-1](#) [341-240-317](#) [345-044-500-300](#) [346-240-318](#) [387-012-523-300](#) [395-100-524-300](#) [09-07-2032](#) [10035388-802LF](#) [10115859-011LF](#) [10122859-009LF](#) [101269333204245CLF](#) [530555-1](#) [66925-516LF](#) [5145409-2](#) [73726-0005](#) [66308-1](#) [5036A30](#) [PEC-07-02-T-S-A](#) [346-014-520-801](#) [KSLX-62-BR](#) [307-048-502-202](#) [CE100F26-7-C](#) [CE100F28-3-D](#) [CE100F28-4-D](#) [CE156F18-9-C](#) [CE156F22-5-D](#) [CE156F22-9-C](#) [CT100F22-2-D](#) [CT100F22-3-D](#) [CT100F24-2-D](#) [CT100F24-3-D](#) [CT100F24-6-C](#) [CT156F22-4-D](#) [MLSS100-12-C](#) [MLSS100-16-C](#)