

REV.	ECR/N NO./DESCRIPTION	DATE	DRAWN	CHECKED	APPROVE
1A	SN17***	07/05'17	Jingyan.Zhao	Vito.Li	Ford
1B	SR18033	05/15'18	Huawei.Zhao	Vito.Li	Ford
1C	SR18033	11/07'18	Huawei.Zhao	Vito.Li	Ford

NOTES:

- MATERIAL SPECIFICATION:
1-1. HOUSING:LCP+40%GF, UL94V-0, COLOR: BLACK.
1-2. CONTACT:COPPER ALLOY .
- PLATING SPECIFICATION:
2-1. CONTACT:
50u" MIN.NICKEL UNDER PLATING OVER ALL.
GOLD PLATING ON CONTACT SEE TABLE1, AND SOLDER AREA IS TIN.
- HF COMPLIANT,ROHS COMPLIANT.
- DATE CODE: XXXXXX
DAY
WEEK
YEAR
- MECHANICAL PERFORMANCE:
5-1. DURABILITY: SEE TABLE
- ELECTRICAL PERFORMANCE:
6-1. CURRENT: 0.5A PER PIN.
6-2. LLCR: INITIAL 55mΩ MAX. ; FINAL ΔLLCR=20mΩ MAX..
- IR REFLOW:
THE TEMPERATURE SHALL BE 260±5°C MAINTAINING 10±1 SECONDS.
- PRODUCT NUMBER NOTE
A P C I X X X X X X X X X X X X
PACKING TYPE
PRODUCT SERIAL NUMBER
K:ROHS COMPLIANT/P:HF COMPLIANT
TYPE SERIAL NUMBER
PRODUCT TYPE
FINISHED PRODUCT
- PLEASE DON'T INSERT CARD INTO FREE PRODUCT BEFORE SMT PROCESS .

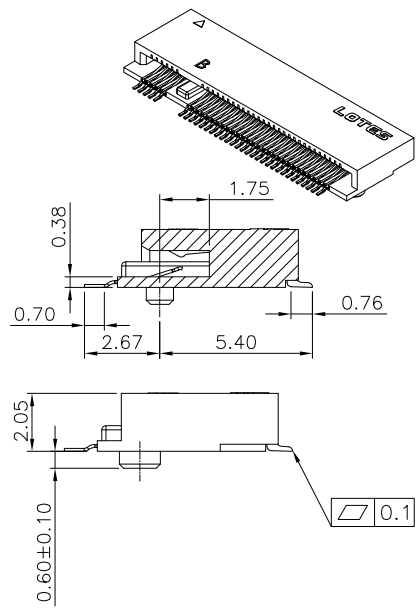
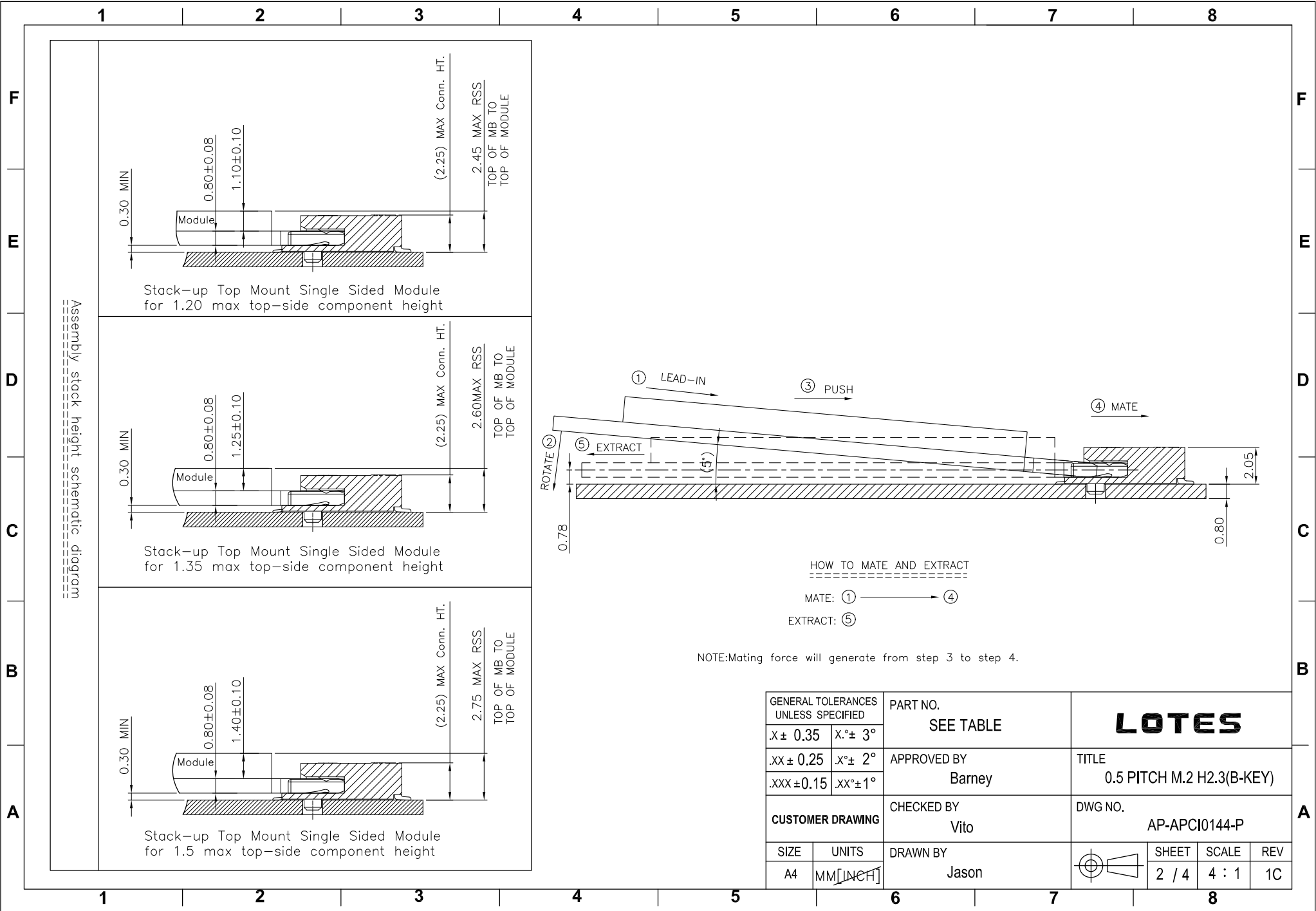


TABLE 1

B	APCI0144-P012A	15u" GOLD	25 CYCLES.	WITHOUT
B	APCI0144-P002A	10u" GOLD	25 CYCLES.	WITHOUT
B	APCI0144-P001A	1-3u" GOLD	25 CYCLES.	WITHOUT
KEY NO.	PART NO.	CONTACT PLATING	DURABILITY	TAB

GENERAL TOLERANCES UNLESS SPECIFIED		PART NO. SEE TABLE		LOTES		
X ± 0.35	X° ± 3°	APPROVED BY Barney				
.XX ± 0.25	X° ± 2°	CHECKED BY Vito		DWG NO. AP-APCI0144-P		
.XXX ± 0.15	.XX° ± 1°	CUSTOMER DRAWING		A		
SIZE A4	UNITS MM [INCH]	DRAWN BY Jason		SHEET 1 / 4		
				SCALE 4 : 1		
				REV 1C		

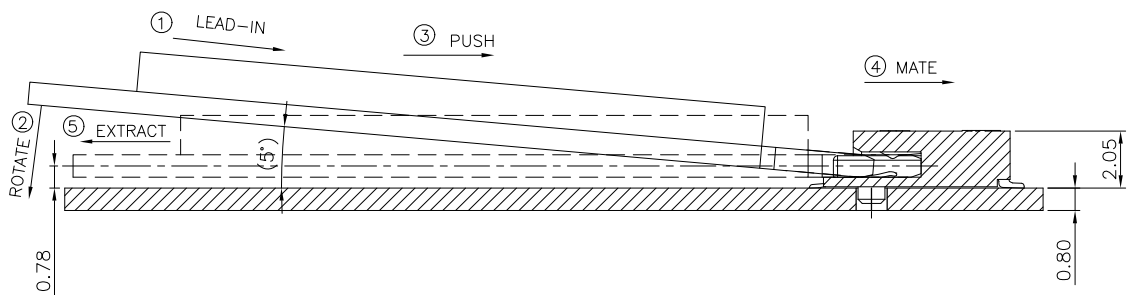


Assembly stack height schematic diagram

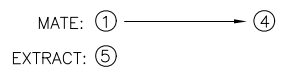
Stack-up Top Mount Single Sided Module for 1.20 max top-side component height

Stack-up Top Mount Single Sided Module for 1.35 max top-side component height

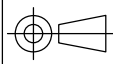
Stack-up Top Mount Single Sided Module for 1.5 max top-side component height

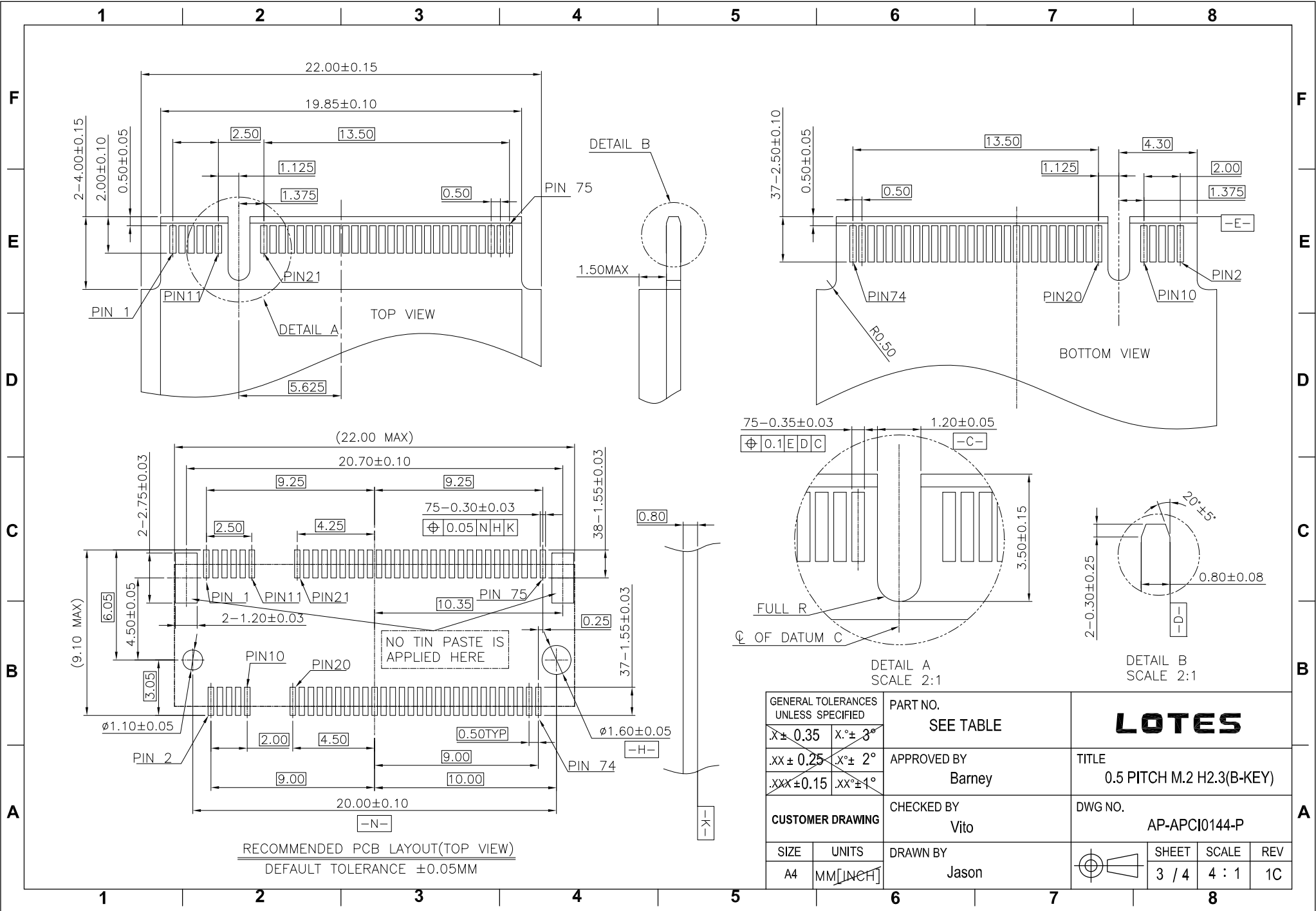


HOW TO MATE AND EXTRACT

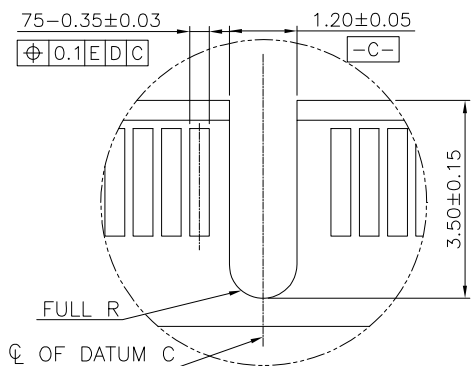


NOTE: Mating force will generate from step 3 to step 4.

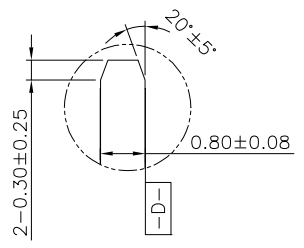
GENERAL TOLERANCES UNLESS SPECIFIED		PART NO. SEE TABLE	LOTES			
X ± 0.35	X° ± 3°					
.XX ± 0.25	X° ± 2°	APPROVED BY Barney	TITLE 0.5 PITCH M.2 H2.3(B-KEY)			
.XXX ± 0.15	.XX° ± 1°	CHECKED BY Vito	DWG NO. AP-APCI0144-P			
CUSTOMER DRAWING		DRAWN BY Jason		SHEET	SCALE	REV
SIZE A4	UNITS MM [INCH]			2 / 4	4 : 1	1C



RECOMMENDED PCB LAYOUT(TOP VIEW)
 DEFAULT TOLERANCE ±0.05MM

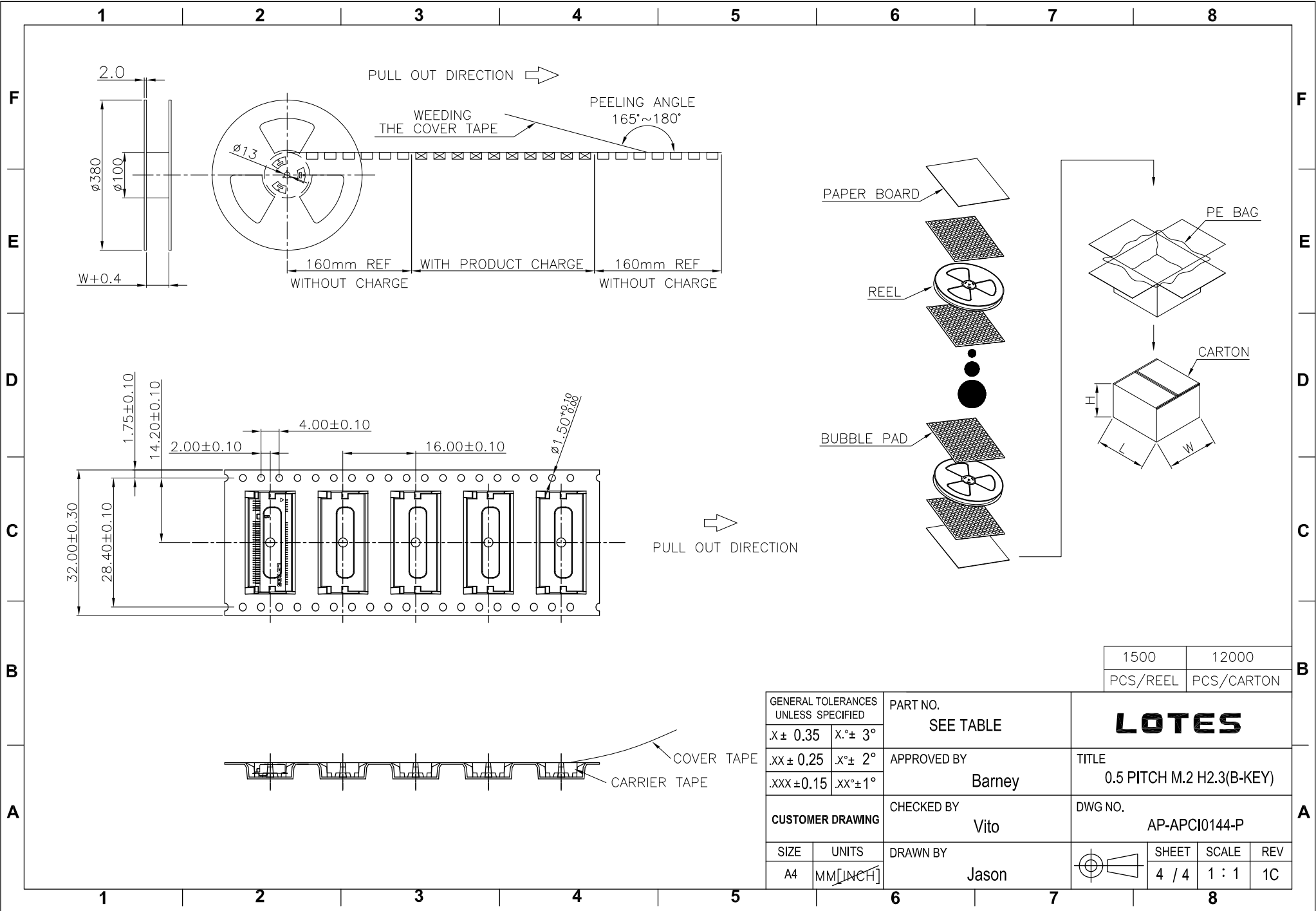


DETAIL A
 SCALE 2:1



DETAIL B
 SCALE 2:1

GENERAL TOLERANCES UNLESS SPECIFIED		PART NO. SEE TABLE	LOTES		
$X \pm 0.35$	$X^\circ \pm 3^\circ$				
$.XX \pm 0.25$	$X^\circ \pm 2^\circ$	APPROVED BY Barney	TITLE 0.5 PITCH M.2 H2.3(B-KEY)		
$XX \pm 0.15$	$XX^\circ \pm 1^\circ$	CHECKED BY Vito	DWG NO. AP-APCI0144-P		
SIZE A4	UNITS MM [INCH]	DRAWN BY Jason	SHEET 3 / 4	SCALE 4 : 1	REV 1C
CUSTOMER DRAWING					



1500	12000
PCS/REEL	PCS/CARTON

GENERAL TOLERANCES UNLESS SPECIFIED		PART NO. SEE TABLE	LOTES		
X ± 0.35	X° ± 3°				
.XX ± 0.25	X° ± 2°	APPROVED BY Barney	TITLE 0.5 PITCH M.2 H2.3(B-KEY)		
.XXX ± 0.15	.XX° ± 1°	CHECKED BY Vito	DWG NO. AP-APCI0144-P		
CUSTOMER DRAWING		DRAWN BY Jason	SHEET 4 / 4	SCALE 1 : 1	REV 1C
SIZE A4	UNITS MM [INCH]				

X-ON Electronics

Largest Supplier of Electrical and Electronic Components

Click to view similar products for [Standard Card Edge Connectors](#) category:

Click to view products by [LOTES](#) manufacturer:

Other Similar products are found below :

[CR7E-30DB-3.96E\(72\)](#) [6565204-6](#) [1437274-4](#) [EBT15622B2X](#) [1-582587-1](#) [284-0102-12100](#) [286-0052-12101A](#) [306022901000000](#) [307-012-502-202](#) [307-056-520-300](#) [A6D22DS29C2](#) [1926088-2](#) [287-0032-12101](#) [345-060-559-303](#) [392-008-559-201](#) [534671-1](#) [341-240-317](#) [345-044-500-300](#) [346-240-318](#) [387-012-523-300](#) [395-100-524-300](#) [09-07-2032](#) [10035388-802LF](#) [10115859-011LF](#) [10122859-009LF](#) [101269333204245CLF](#) [530555-1](#) [66925-516LF](#) [5145409-2](#) [73726-0005](#) [66308-1](#) [5036A30](#) [PEC-07-02-T-S-A](#) [346-014-520-801](#) [KSLX-62-BR](#) [307-048-502-202](#) [CE100F26-7-C](#) [CE100F28-3-D](#) [CE100F28-4-D](#) [CE156F18-9-C](#) [CE156F22-5-D](#) [CE156F22-9-C](#) [CT100F22-2-D](#) [CT100F22-3-D](#) [CT100F24-2-D](#) [CT100F24-3-D](#) [CT100F24-6-C](#) [CT156F22-4-D](#) [MLSS100-12-C](#) [MLSS100-16-C](#)