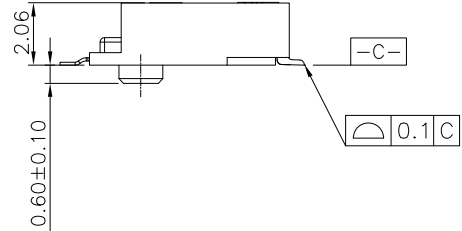
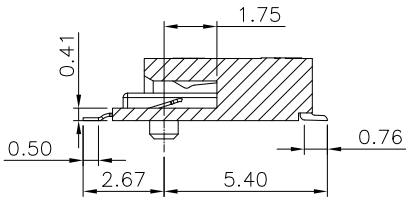
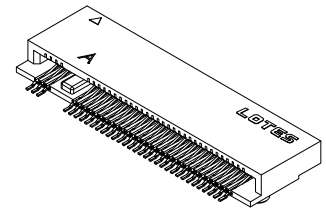
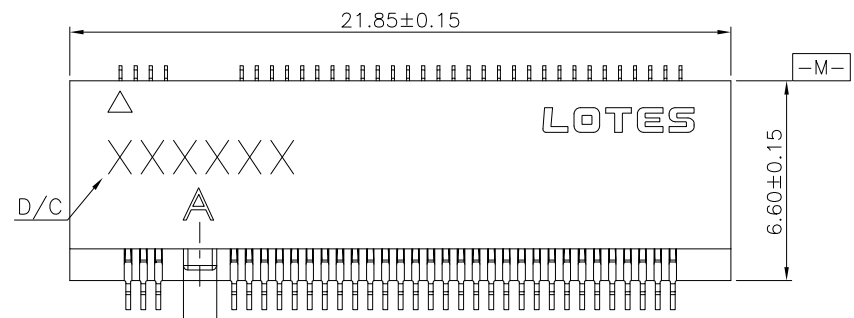


| REV. | ECR/N NO./DESCRIPTION | DATE     | DRAWN | CHECKED | APPROVE |
|------|-----------------------|----------|-------|---------|---------|
| A    | RD14008               | 05/16'14 | Jason | Vito    | Barney  |

F  
E  
D  
C  
B  
A

F  
E  
D  
C  
B  
A



NOTES:

- MATERIAL SPECIFICATION:
  - HOUSING: LCP+40%GF, UL94V-0, COLOR: BLACK.
  - CONTACT: COPPER ALLOY.
- PLATING SPECIFICATION:
  - CONTACT:  $50\mu$ " MIN. NICKEL UNDER PLATING OVER ALL. GOLD PLATING ON CONTACT SEE TABLE 1, AND SOLDER AREA IS TIN.
- HF COMPLIANT, ROHS COMPLIANT.
- DATE CODE: XXXXXX
  - DAY
  - WEEK
  - YEAR
- MECHANICAL PERFORMANCE:
  - DURABILITY: SEE TABLE
- ELECTRICAL PERFORMANCE:
  - CURRENT: 0.5A PER PIN.
  - LLCR: INITIAL  $55m\Omega$  MAX.; FINAL  $\Delta$ LLCR= $20m\Omega$  MAX..
- IR REFLOW:
 

THE TEMPERATURE SHALL BE  $260 \pm 5^\circ\text{C}$  MAINTAINING  $10 \pm 1$  SECONDS.
- PRODUCT NUMBER NOTE
 

|   |   |   |   |   |   |   |   |   |   |   |   |
|---|---|---|---|---|---|---|---|---|---|---|---|
| A | P | C | I | X | X | X | X | X | X | X | X |
|---|---|---|---|---|---|---|---|---|---|---|---|

  - PACKING TYPE
  - PRODUCT SERIAL NUMBER
  - K: ROHS COMPLIANT/P: HF COMPLIANT
  - TYPE SERIAL NUMBER
  - PRODUCT TYPE
  - FINISHED PRODUCT
- PLEASE DON'T INSERT CARD INTO FREE PRODUCT BEFORE SMT PROCESS.

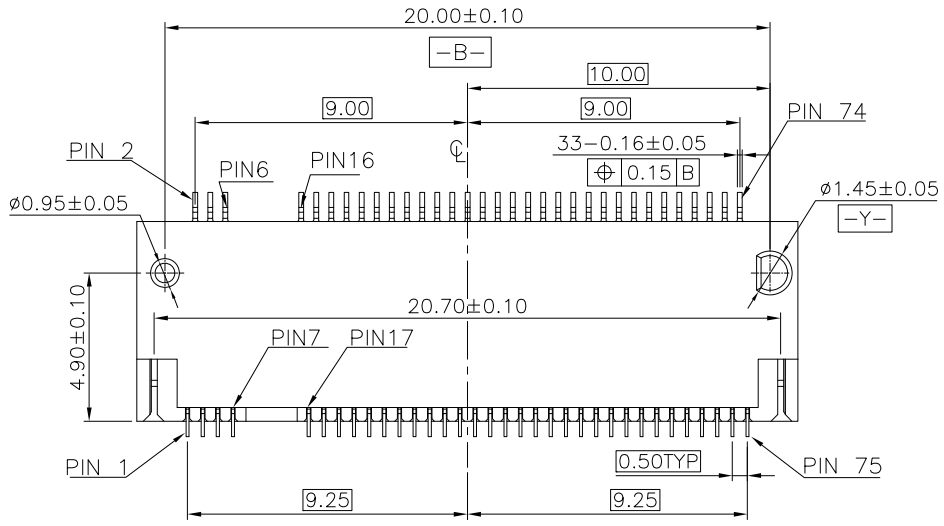
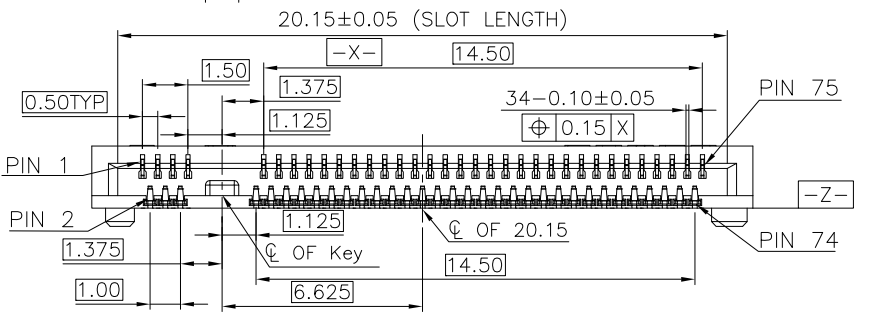
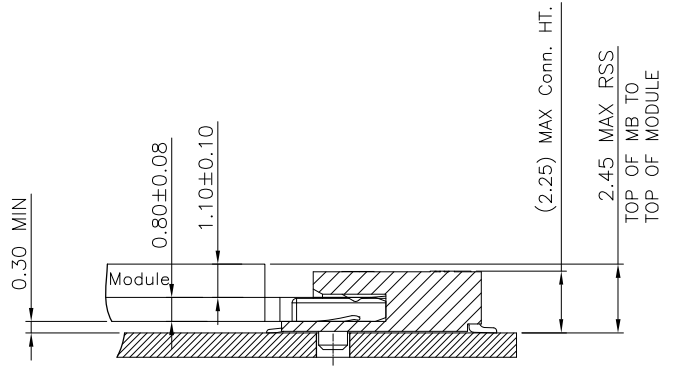


TABLE 1

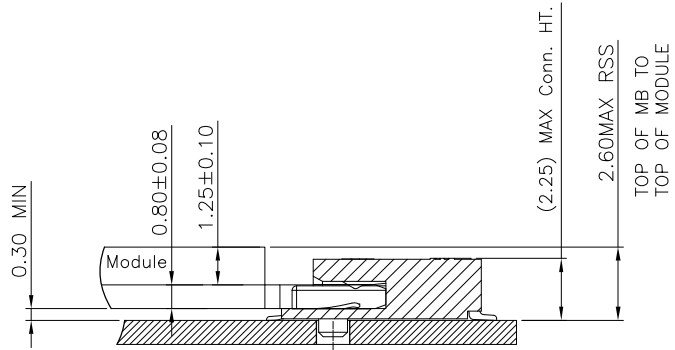
| KEY NO. | A | APCI0145-P001A | 1-3u" GOLD      | 25 CYCLES. | WITHOUT |
|---------|---|----------------|-----------------|------------|---------|
|         |   | PART NO.       | CONTACT PLATING | DURABILITY | TAB     |

|                                     |                    |                                |  |                |                |          |
|-------------------------------------|--------------------|--------------------------------|--|----------------|----------------|----------|
| GENERAL TOLERANCES UNLESS SPECIFIED |                    | PART NO.<br><b>SEE TABLE 1</b> | <b>LOTES</b>                               |                |                |          |
| .X ± 0.35                           | X.° ± 3°           |                                |  |                |                |          |
| .XX ± 0.25                          | X.° ± 2°           |                                |  |                |                |          |
| .XXX ± 0.15                         | .XX° ± 1°          | APPROVED BY<br><b>Barney</b>   | TITLE<br><b>0.5 PITCH M.2 H2.3 (A key)</b> |                |                |          |
| CUSTOMER DRAWING                    |                    | CHECKED BY<br><b>Vito</b>      | DWG NO.<br><b>AP-APCI0145-P</b>            |                |                |          |
| SIZE<br>A4                          | UNITS<br>MM [INCH] | DRAWN BY<br><b>Jason</b>       |  | SHEET<br>1 / 4 | SCALE<br>4 : 1 | REV<br>A |

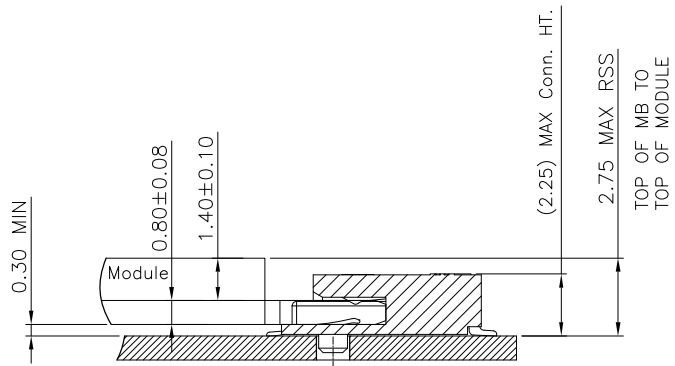
Assembly stack height schematic diagram



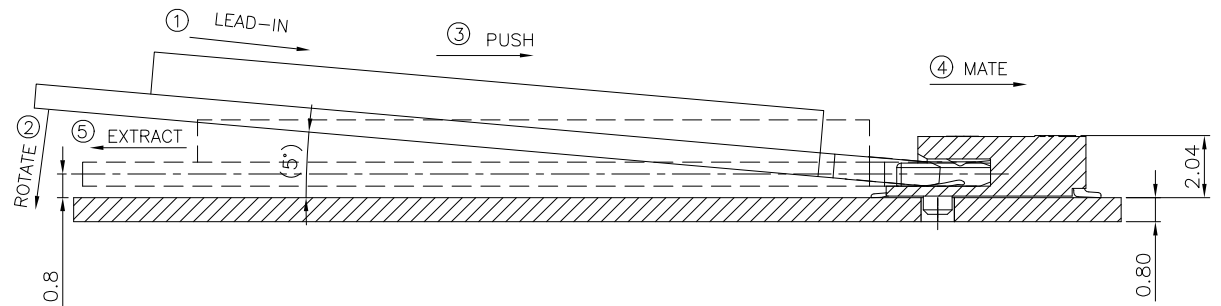
Stack-up Top Mount Single Sided Module for 1.20 max top-side component height



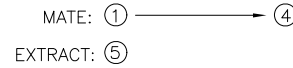
Stack-up Top Mount Single Sided Module for 1.35 max top-side component height



Stack-up Top Mount Single Sided Module for 1.5 max top-side component height

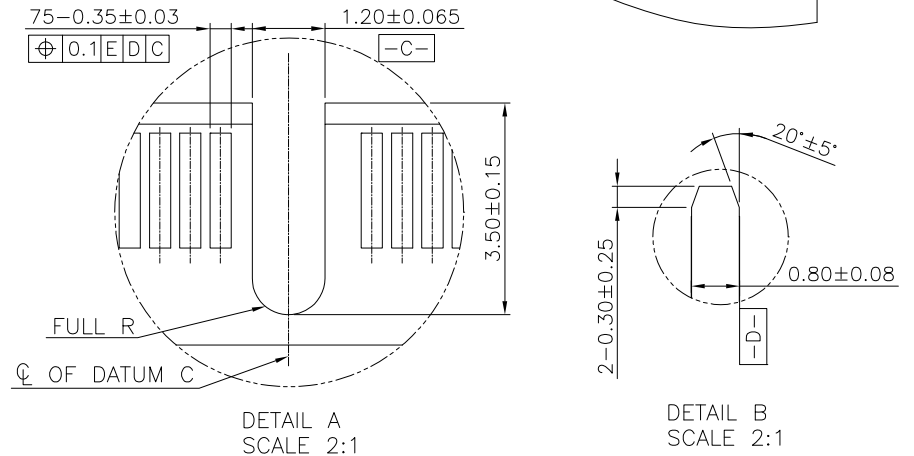
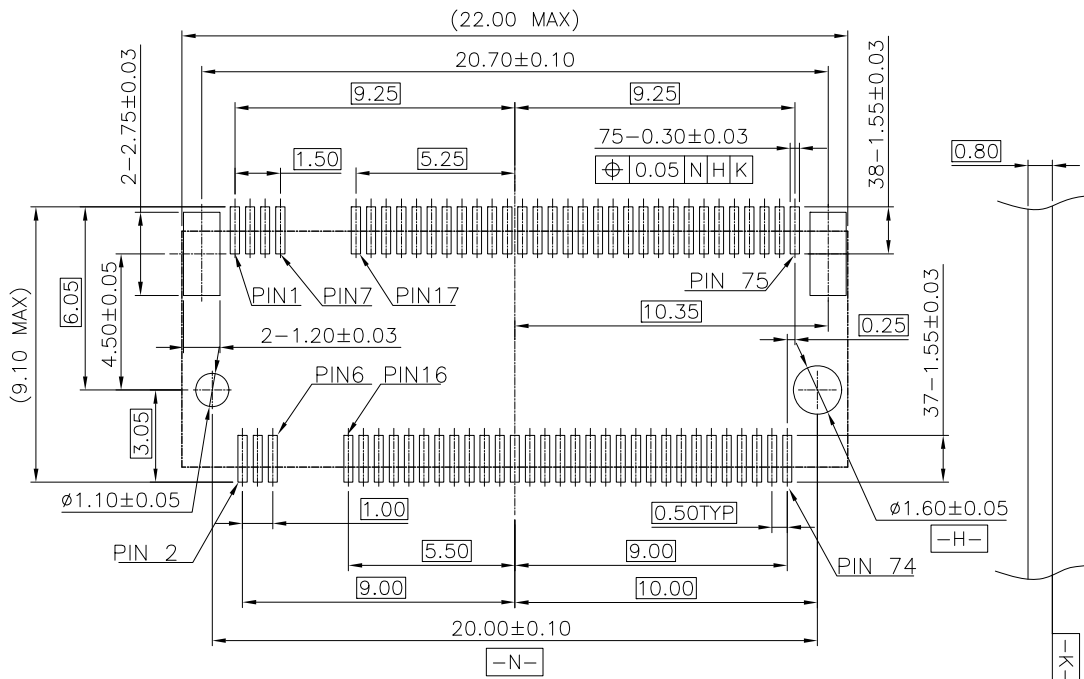
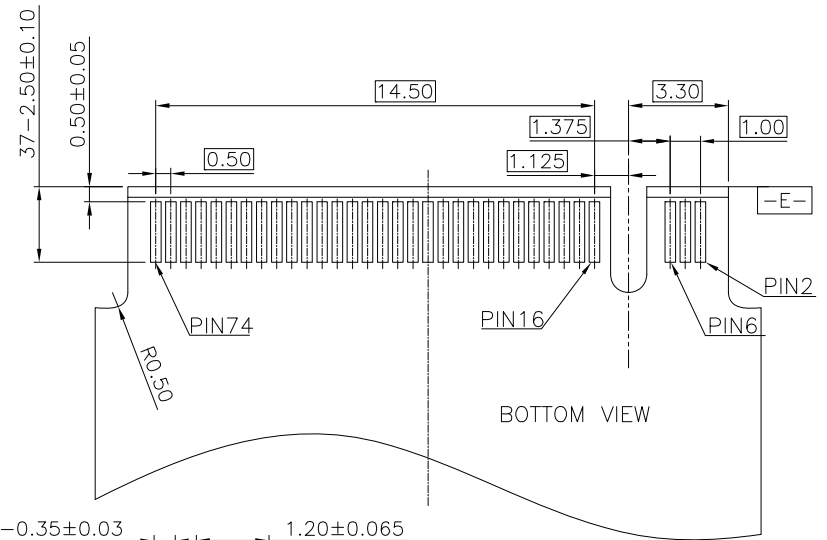
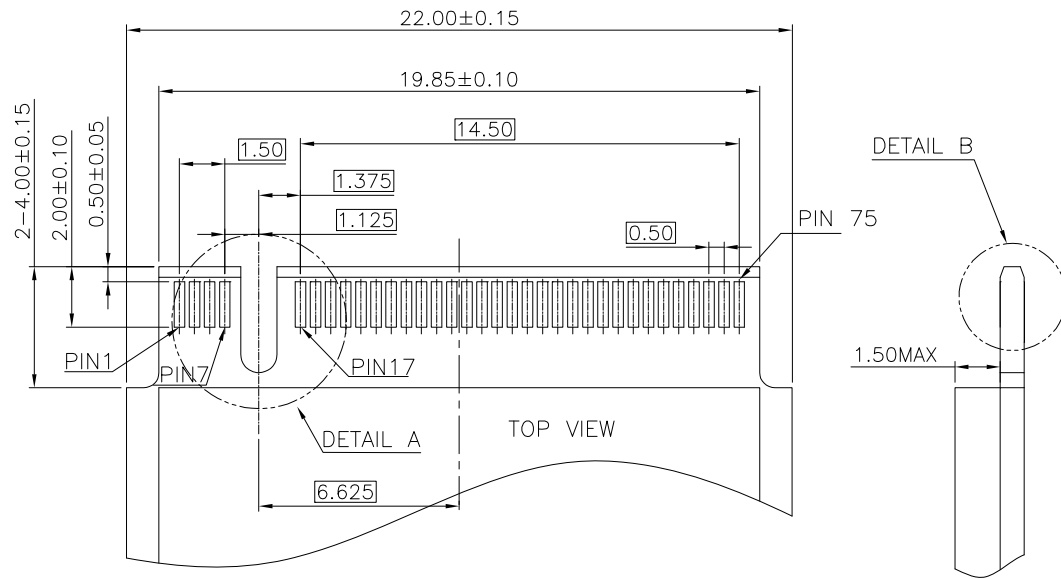


HOW TO MATE AND EXTRACT



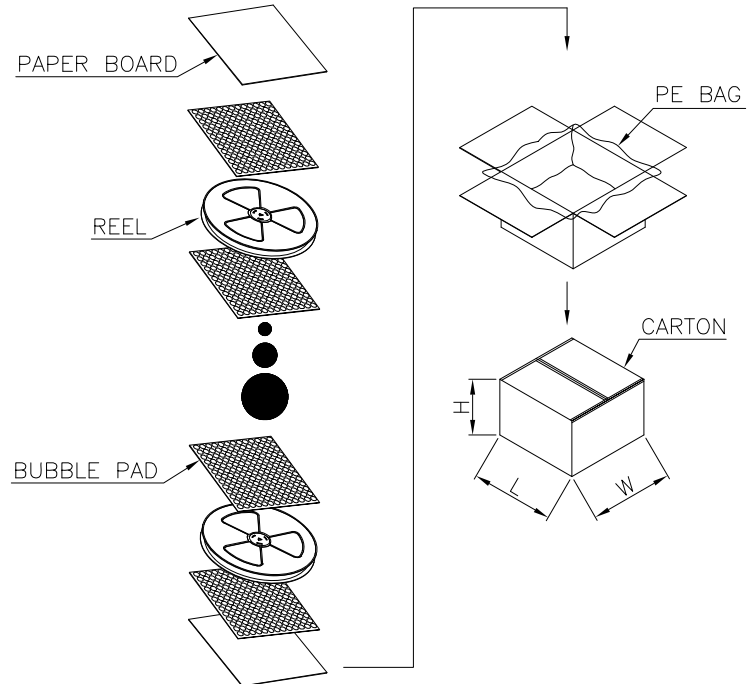
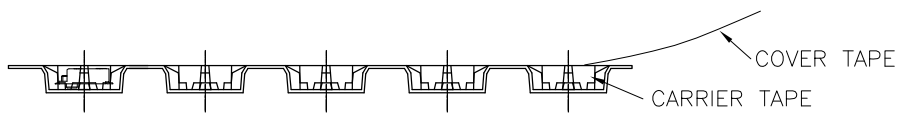
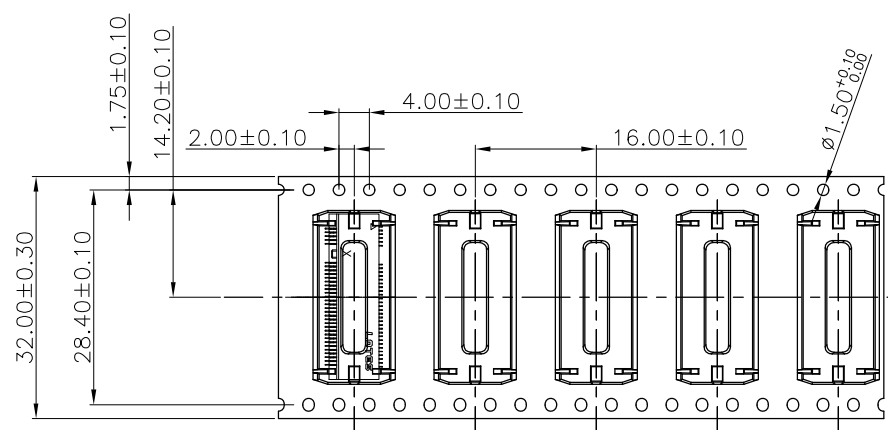
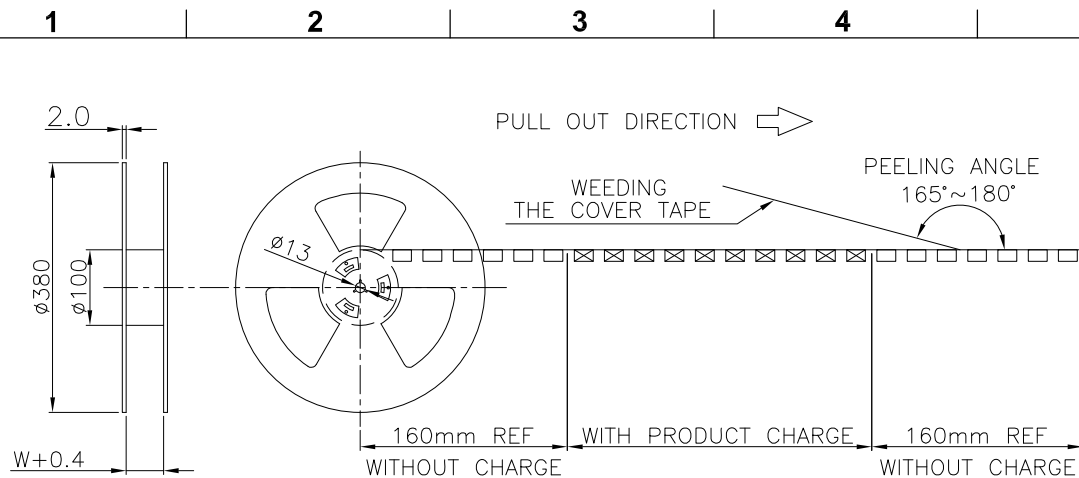
NOTE: Mating force will generate from step 3 to step 4.

|                                     |           |             |                            |       |       |     |
|-------------------------------------|-----------|-------------|----------------------------|-------|-------|-----|
| GENERAL TOLERANCES UNLESS SPECIFIED |           | PART NO.    | <b>LOTES</b>               |       |       |     |
| .X ± 0.35 X.° ± 3°                  |           | SEE TABLE   |                            |       |       |     |
| .XX ± 0.25 .X.° ± 2°                |           | APPROVED BY | TITLE                      |       |       |     |
| .XXX ± 0.15 .XX.° ± 1°              |           | Barney      | 0.5 PITCH M.2 H2.3 (A key) |       |       |     |
| CUSTOMER DRAWING                    |           | CHECKED BY  | DWG NO.                    |       |       |     |
|                                     |           | Vito        | AP-APCI0145-P              |       |       |     |
| SIZE                                | UNITS     | DRAWN BY    |                            | SHEET | SCALE | REV |
| A4                                  | MM [INCH] | Jason       |                            | 2 / 4 | 4 : 1 | A   |



RECOMMENDED PCB LAYOUT(TOP VIEW)  
 DEFAULT TOLERANCE ±0.05MM

|                                     |           |             |  |                            |       |     |
|-------------------------------------|-----------|-------------|--|----------------------------|-------|-----|
| GENERAL TOLERANCES UNLESS SPECIFIED |           | PART NO.    |  | <b>LOTES</b>               |       |     |
| .X± 0.35 X.°± 3°                    |           | SEE TABLE   |  |                            |       |     |
| .XX± 0.25 X.°± 2°                   |           | APPROVED BY |  | TITLE                      |       |     |
| .XXX± 0.15 .XX°± 1°                 |           | Barney      |  | 0.5 PITCH M.2 H2.3 (A key) |       |     |
| CUSTOMER DRAWING                    |           | CHECKED BY  |  | DWG NO.                    |       |     |
|                                     |           | Vito        |  | AP-APCI0145-P              |       |     |
| SIZE                                | UNITS     | DRAWN BY    |  | SHEET                      | SCALE | REV |
| A4                                  | MM [INCH] | Jason       |  |                            |       |     |



|          |            |
|----------|------------|
| 1500     | 12000      |
| PCS/REEL | PCS/CARTON |

|                                     |            |             |  |                           |       |       |     |
|-------------------------------------|------------|-------------|--|---------------------------|-------|-------|-----|
| GENERAL TOLERANCES UNLESS SPECIFIED |            | PART NO.    |  | <b>LOTES</b>              |       |       |     |
| SEE TABLE                           |            | SEE TABLE   |  |                           |       |       |     |
| .X ± 0.35                           | X.° ± 3°   | APPROVED BY |  | TITLE                     |       |       |     |
| .XX ± 0.25                          | .X.° ± 2°  | Barney      |  | 0.5 PITCH M.2 H2.3(A-KEY) |       |       |     |
| .XXX ± 0.15                         | .XX.° ± 1° | CHECKED BY  |  | DWG NO.                   |       |       |     |
| CUSTOMER DRAWING                    |            | Vito        |  | AP-APCI0145-P             |       |       |     |
| SIZE                                | UNITS      | DRAWN BY    |  |                           | SHEET | SCALE | REV |
| A4                                  | MM [INCH]  | Jason       |  |                           | 4 / 4 | 1 : 1 | A   |

## X-ON Electronics

Largest Supplier of Electrical and Electronic Components

*Click to view similar products for [Standard Card Edge Connectors](#) category:*

*Click to view products by [LOTES](#) manufacturer:*

Other Similar products are found below :

[CR7E-30DB-3.96E\(72\)](#) [6565204-6](#) [EBT15622B2X](#) [1-582587-1](#) [284-0102-12100](#) [286-0052-12101A](#) [306022901000000](#) [307-012-502-202](#)  
[307-056-520-300](#) [A6D22DS29C2](#) [1926088-2](#) [287-0032-12101](#) [345-060-559-303](#) [392-008-559-201](#) [534671-1](#) [341-240-317](#) [345-044-500-300](#)  
[346-240-318](#) [387-012-523-300](#) [395-100-524-300](#) [09-07-2032](#) [10035388-802LF](#) [10115859-011LF](#) [10122859-009LF](#) [101269333204245CLF](#)  
[530555-1](#) [66925-516LF](#) [5145409-2](#) [73726-0005](#) [66308-1](#) [5036A30](#) [PEC-07-02-T-S-A](#) [346-014-520-801](#) [KSLX-62-BR](#) [307-048-502-202](#)  
[CE100F26-7-C](#) [CE100F28-3-D](#) [CE100F28-4-D](#) [CE156F18-9-C](#) [CE156F22-5-D](#) [CE156F22-9-C](#) [CT100F22-2-D](#) [CT100F22-3-D](#) [CT100F24-](#)  
[2-D](#) [CT100F24-3-D](#) [CT100F24-6-C](#) [CT156F22-4-D](#) [MLSS100-12-C](#) [MLSS100-16-C](#) [SCC100F-11-C](#)