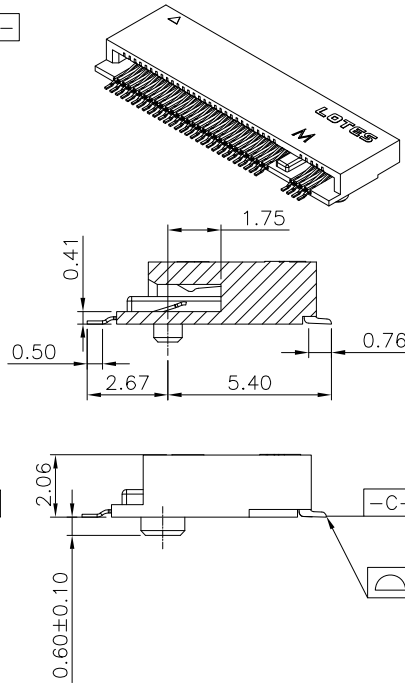
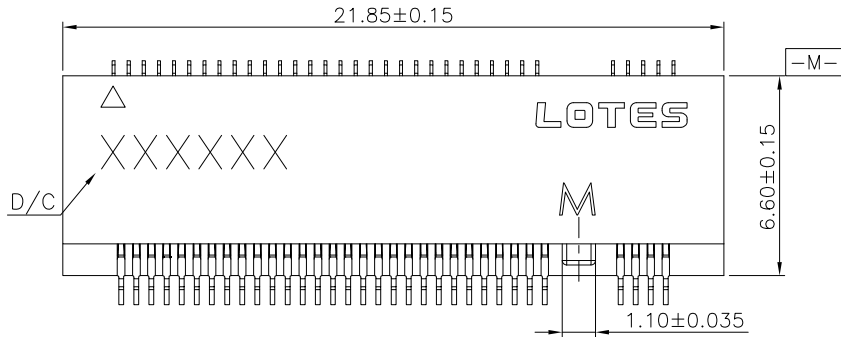


REV.	ECR/N NO./DESCRIPTION	DATE	DRAWN	CHECKED	APPROVE
A	RD14008	05/21'14	Jason	Vito	Barney



NOTES:

- MATERIAL SPECIFICATION:
 - HOUSING: LCP+40%GF, UL94V-0, COLOR: BLACK.
 - CONTACT: PHOSPHOR-COPPER.
- PLATING SPECIFICATION:
 - CONTACT: 50μ" MIN. NICKEL UNDER PLATING OVER ALL. GOLD PLATING ON CONTACT SEE TABLE 1, AND SOLDER AREA IS TIN.
- HF COMPLIANT, ROHS COMPLIANT.
- DATE CODE: XXXXXX
 - DAY
 - WEEK
 - YEAR
- MECHANICAL PERFORMANCE:
 - DURABILITY: SEE TABLE
- ELECTRICAL PERFORMANCE:
 - CURRENT: 0.5A PER PIN.
 - LLCR: INITIAL 55mΩ MAX. ; FINAL ΔLLCR=20mΩ MAX..
- IR REFLOW:

THE TEMPERATURE SHALL BE 260±5°C MAINTAINING 10±1 SECONDS.
- PRODUCT NUMBER NOTE

A	P	C	I	X	X	X	X	X	X	X	X	X

 - PACKING TYPE
 - PRODUCT SERIAL NUMBER
 - K: RoHS COMPLIANT/P: HF COMPLIANT
 - TYPE SERIAL NUMBER
 - PRODUCT TYPE
 - FINISHED PRODUCT
- PLEASE DON'T INSERT CARD INTO FREE PRODUCT BEFORE SMT PROCESS.

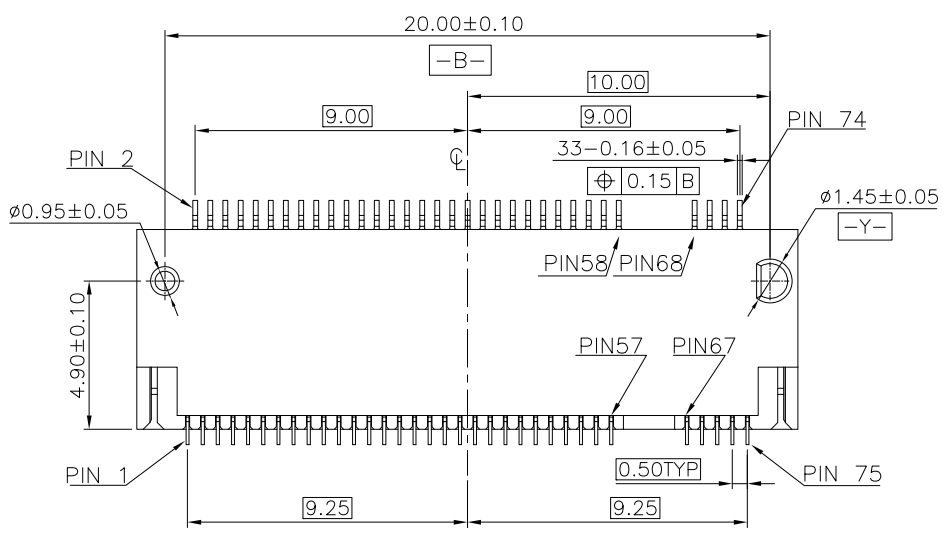
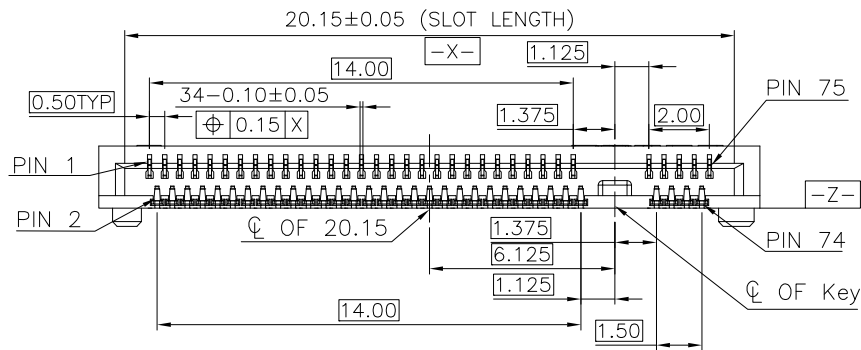
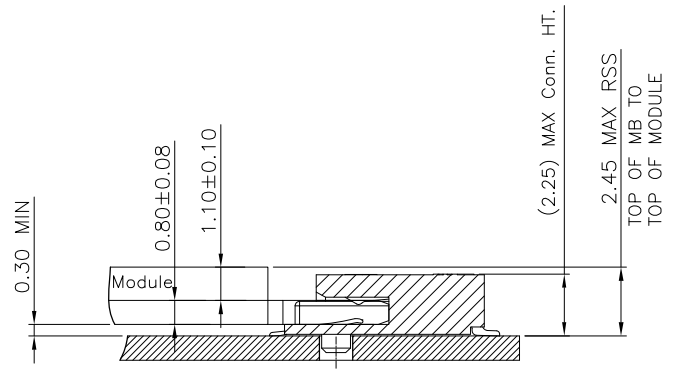


TABLE 1

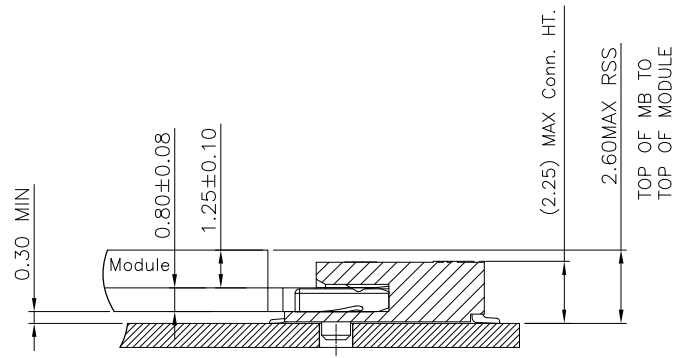
M	APCI0146-P002A	10μ" GOLD	25 CYCLES.	WITHOUT
M	APCI0146-P001A	1-3μ" GOLD	25 CYCLES.	WITHOUT
KEY NO.	PART NO.	CONTACT PLATING	DURABILITY	TAB

GENERAL TOLERANCES UNLESS SPECIFIED		PART NO. SEE TABLE 1	LOTES		
.X ± 0.35	X.° ± 3°				
.XX ± 0.25	.X.° ± 2°				
.XXX ± 0.15	.XX.° ± 1°	APPROVED BY Barney	TITLE 0.5 PITCH M.2 H2.3 (M key)		
CUSTOMER DRAWING		CHECKED BY Vito	DWG NO. AP-APCI0146-P		
SIZE A4	UNITS MM [INCH]	DRAWN BY Jason	SHEET 1 / 4	SCALE 4 : 1	REV A

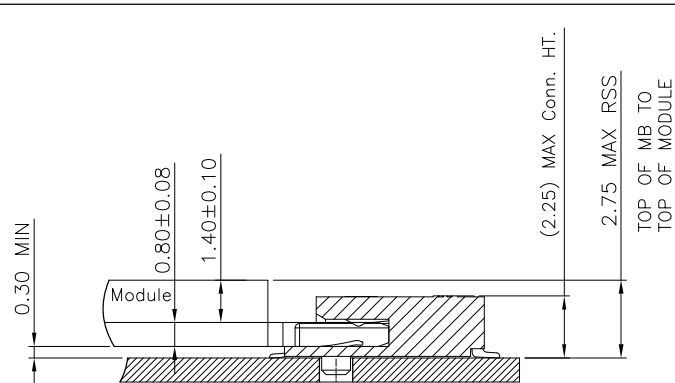
Assembly stack height schematic diagram



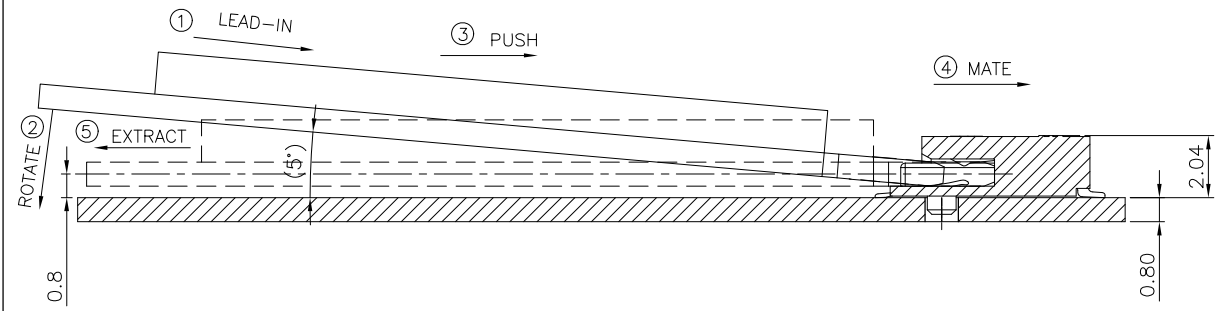
Stack-up Top Mount Single Sided Module for 1.20 max top-side component height



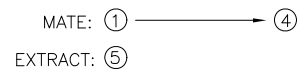
Stack-up Top Mount Single Sided Module for 1.35 max top-side component height



Stack-up Top Mount Single Sided Module for 1.5 max top-side component height

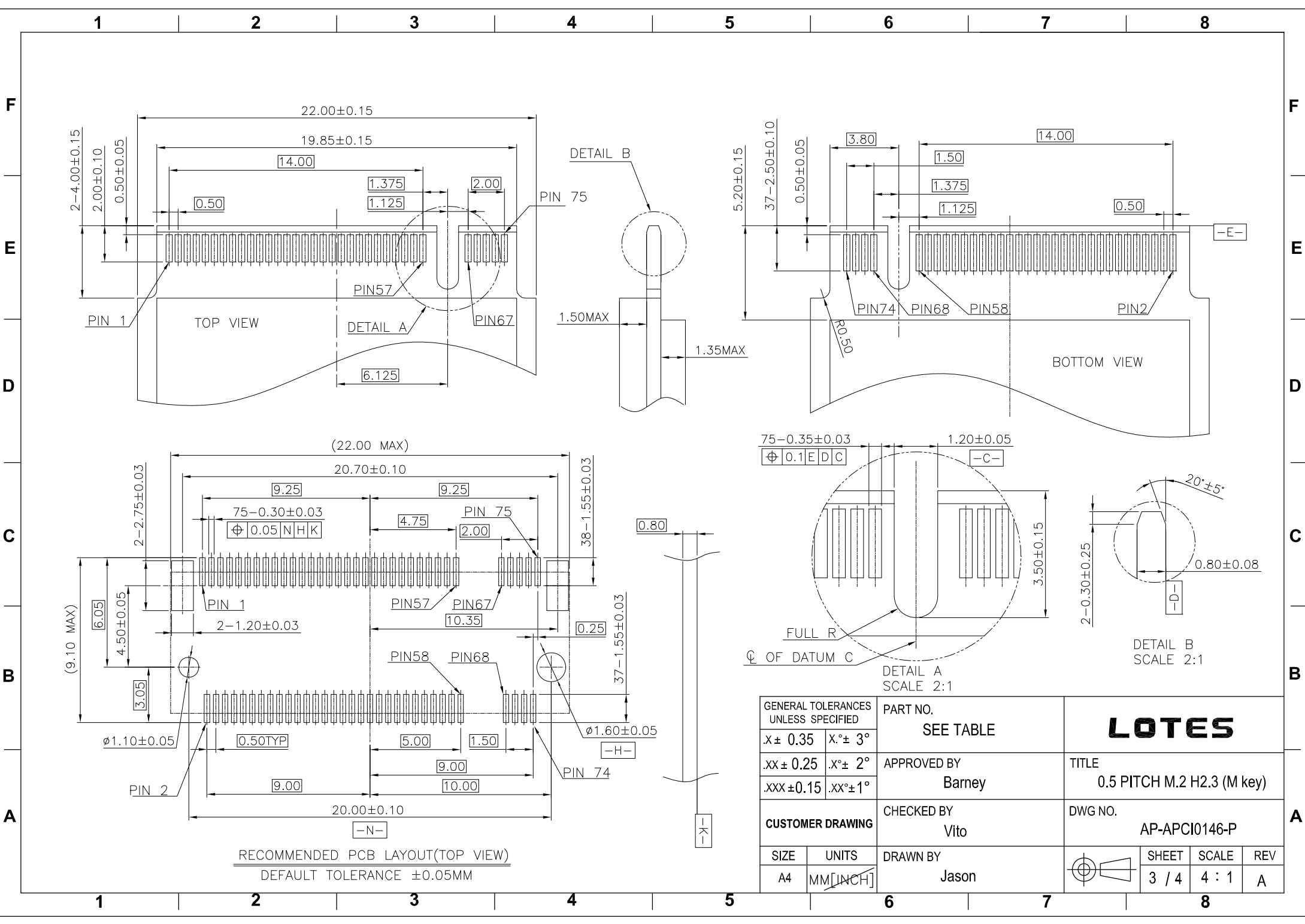


HOW TO MATE AND EXTRACT



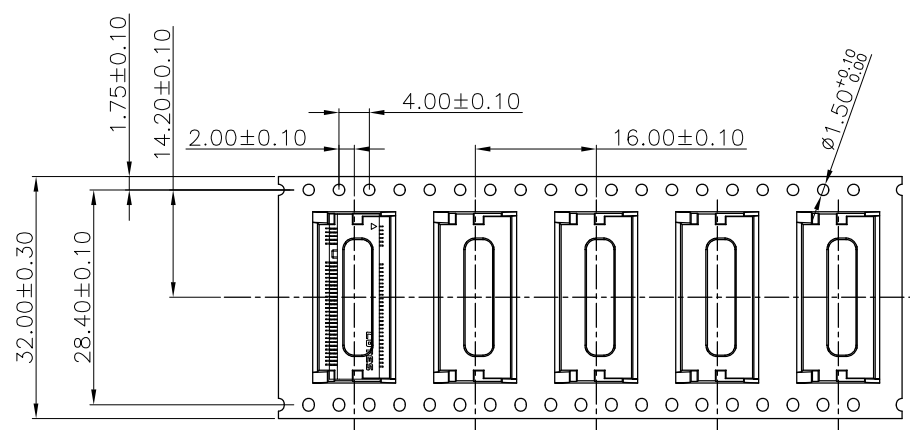
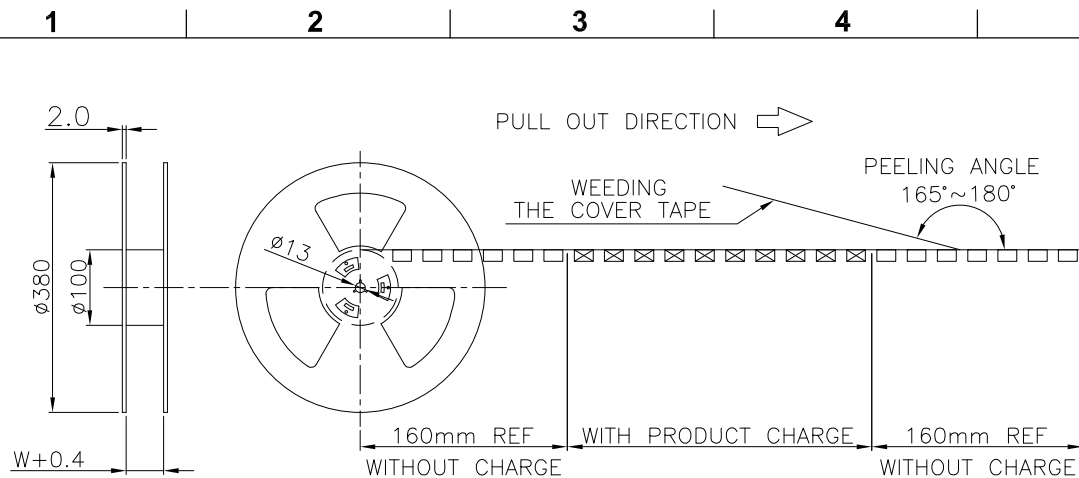
NOTE: Mating force will generate from step 3 to step 4.

GENERAL TOLERANCES UNLESS SPECIFIED		PART NO.	LOTES			
SEE TABLE		SEE TABLE				
.X ± 0.35	X.° ± 3°	APPROVED BY	TITLE			
.XX ± 0.25	.X.° ± 2°	Barney	0.5 PITCH M.2 H2.3 (M key)			
.XXX ± 0.15	.XX.° ± 1°	CHECKED BY	DWG NO.			
CUSTOMER DRAWING		Vito	AP-APCI0146-P			
SIZE	UNITS	DRAWN BY		SHEET	SCALE	REV
A4	MM [INCH]	Jason		2 / 4	4 : 1	A

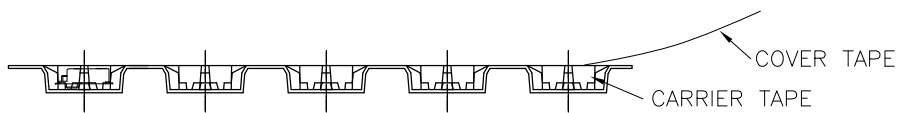
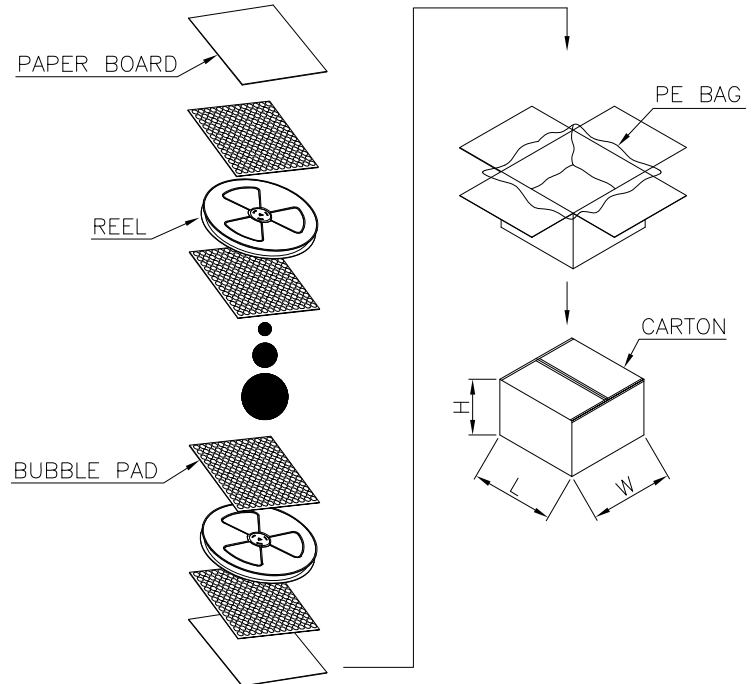


RECOMMENDED PCB LAYOUT(TOP VIEW)
 DEFAULT TOLERANCE ±0.05MM

GENERAL TOLERANCES UNLESS SPECIFIED		PART NO. SEE TABLE		LOTES	
X± 0.35 X.°± 3°		APPROVED BY Barney			
.XX± 0.25 X.°± 2°		CHECKED BY Vito		DWG NO. AP-APCI0146-P	
.XXX± 0.15 .XX°± 1°		DRAWN BY Jason		SHEET 3 / 4	
SIZE A4	UNITS MM [INCH]			SCALE 4 : 1	REV A

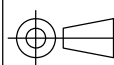


PULL OUT DIRECTION →



1500	12000
PCS/REEL	PCS/CARTON

GENERAL TOLERANCES UNLESS SPECIFIED		PART NO. SEE TABLE		LOTES		
.X ± 0.35	X.° ± 3°	APPROVED BY Barney				
.XX ± 0.25	.X.° ± 2°	CHECKED BY Vito		DWG NO. AP-APCI0146-P		
.XXX ± 0.15	.XX.° ± 1°	CUSTOMER DRAWING		DRAWN BY Jason		
SIZE A4	UNITS MM [INCH]	DRAWN BY Jason		SHEET 4 / 4	SCALE 1 : 1	REV A



X-ON Electronics

Largest Supplier of Electrical and Electronic Components

Click to view similar products for [Standard Card Edge Connectors](#) category:

Click to view products by [LOTES](#) manufacturer:

Other Similar products are found below :

[CR7E-30DB-3.96E\(72\)](#) [6565204-6](#) [1437274-4](#) [EBT15622B2X](#) [1-582587-1](#) [284-0102-12100](#) [286-0052-12101A](#) [306022901000000](#) [307-012-502-202](#) [307-056-520-300](#) [A6D22DS29C2](#) [1926088-2](#) [287-0032-12101](#) [345-060-559-303](#) [392-008-559-201](#) [534671-1](#) [341-240-317](#) [345-044-500-300](#) [346-240-318](#) [387-012-523-300](#) [395-100-524-300](#) [09-07-2032](#) [10035388-802LF](#) [10115859-011LF](#) [10122859-009LF](#) [101269333204245CLF](#) [530555-1](#) [66925-516LF](#) [5145409-2](#) [73726-0005](#) [66308-1](#) [5036A30](#) [PEC-07-02-T-S-A](#) [346-014-520-801](#) [KSLX-62-BR](#) [307-048-502-202](#) [CE100F26-7-C](#) [CE100F28-3-D](#) [CE100F28-4-D](#) [CE156F18-9-C](#) [CE156F22-5-D](#) [CE156F22-9-C](#) [CT100F22-2-D](#) [CT100F22-3-D](#) [CT100F24-2-D](#) [CT100F24-3-D](#) [CT100F24-6-C](#) [CT156F22-4-D](#) [MLSS100-12-C](#) [MLSS100-16-C](#)