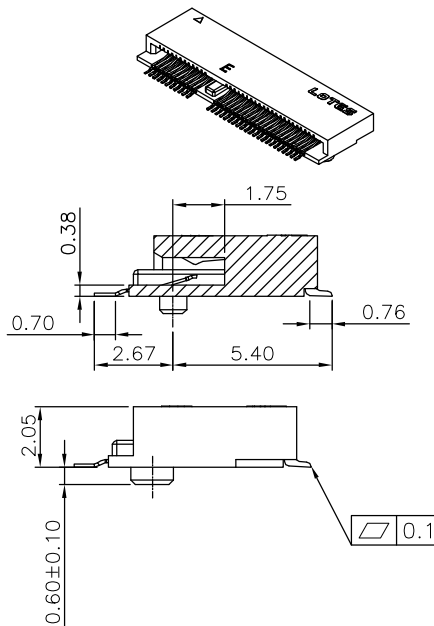
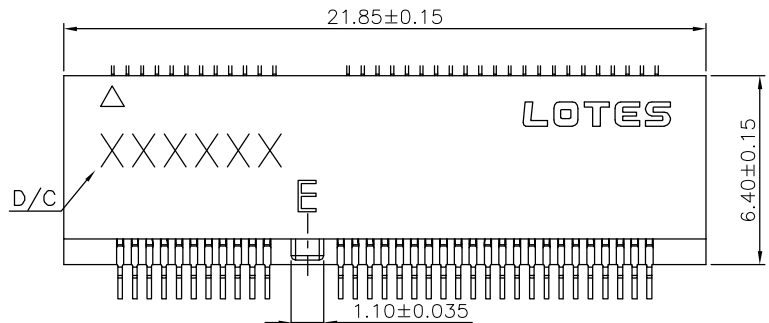


REV.	ECR/N NO./DESCRIPTION	DATE	DRAWN	CHECKED	APPROVE
1	SN16020,第一版正式發行	03/08'16	Yongqi.Li	Vito.Li	Gear



NOTES:

- MATERIAL SPECIFICATION:
 - HOUSING:LCP+40%GF, UL94V-0, COLOR: BLACK.
 - CONTACT:COPPER ALLOY C1065.
 - PLATING SPECIFICATION:
 - CONTACT: 50u" MIN.NICKEL UNDER PLATING OVER ALL. GOLD PLATING ON CONTACT SEE TABLE1,AND SOLDER AREA IS TIN.
 - HF COMPLIANT,ROHS COMPLIANT.
 - DATE CODE: XXXXXX
 - DAY
 - WEEK
 - YEAR
 - MECHANICAL PERFORMANCE:
 - DURABILITY: SEE TABLE
 - ELECTRICAL PERFORMANCE:
 - CURRENT: 0.5A PER PIN.
 - LLCR: INITIAL 55mΩ MAX. ; FINAL ΔLLCR=20mΩ MAX..
 - IR REFLOW:

THE TEMPERATURE SHALL BE 260±5°C MAINTAINING 10±1 SECONDS.
 - PRODUCT NUMBER NOTE

A	P	C	I	X	X	X	X	X	X	X
---	---	---	---	---	---	---	---	---	---	---

 - PACKING TYPE
 - PRODUCT SERIAL NUMBER
 - K:RoHS COMPLIANT/P:HF COMPLIANT
 - TYPE SERIAL NUMBER
 - PRODUCT TYPE
 - FINISHED PRODUCT
- 9.PLEASE DON'T INSERT CARD INTO FREE PRODUCT BEFORE SMT PROCESS.

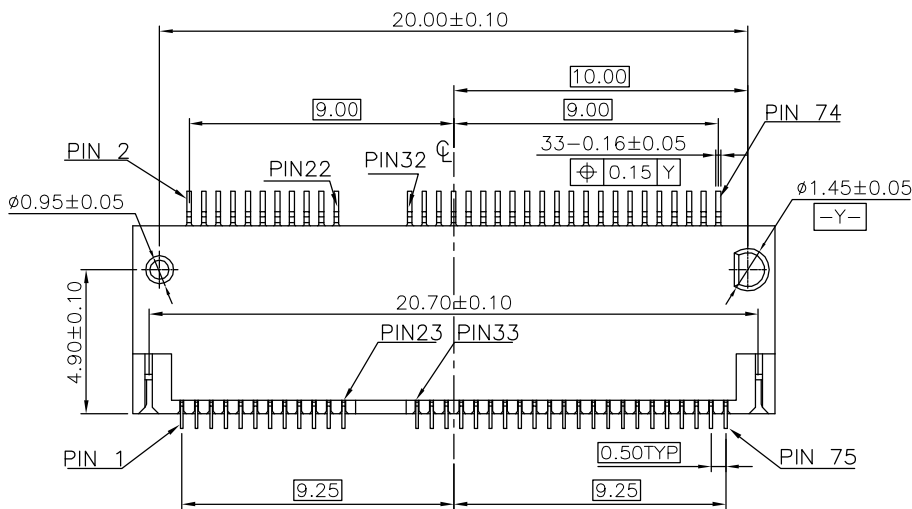
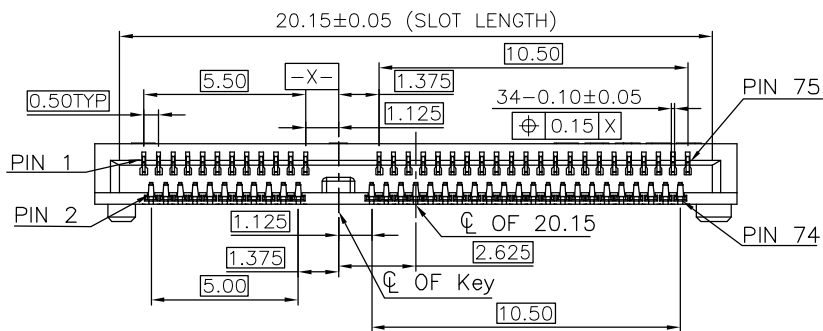
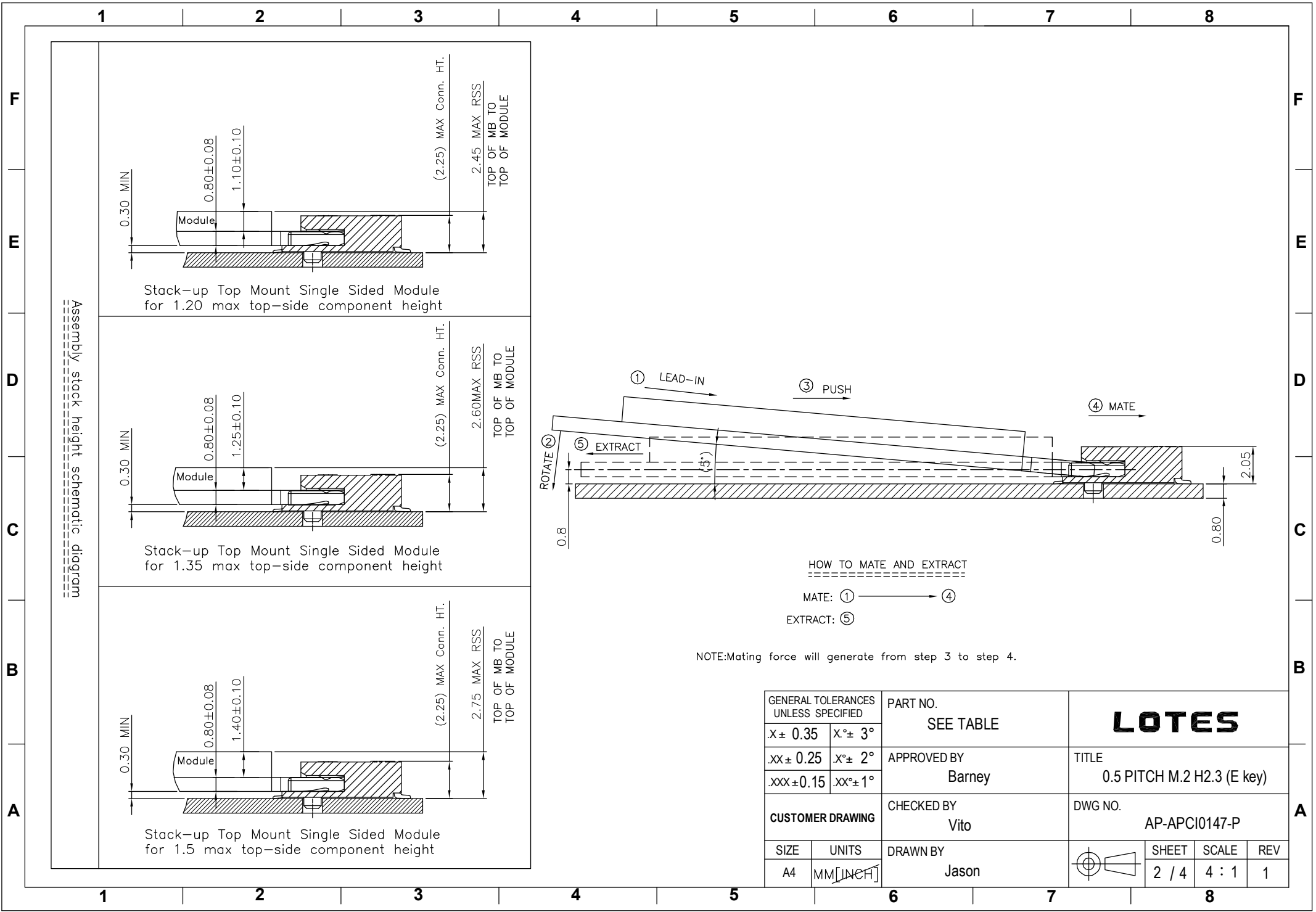
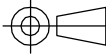


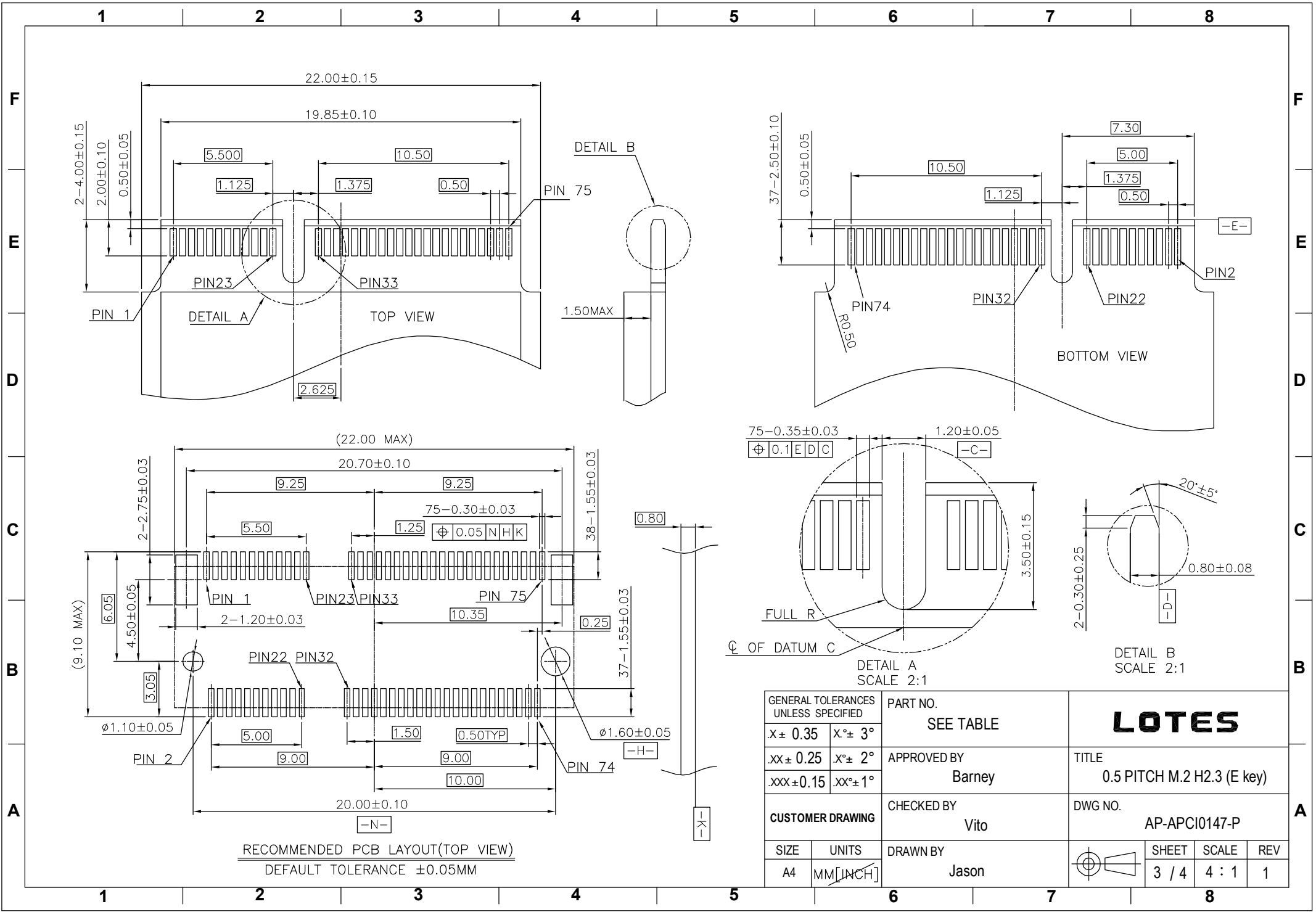
TABLE 1

KEY NO.	PART NO.	CONTACT PLATING	DURABILITY	TAB
E	APCI0147-P002A	10u" GOLD	25 CYCLES.	WITHOUT
E	APCI0147-P001A	1-3u" GOLD	25 CYCLES.	WITHOUT

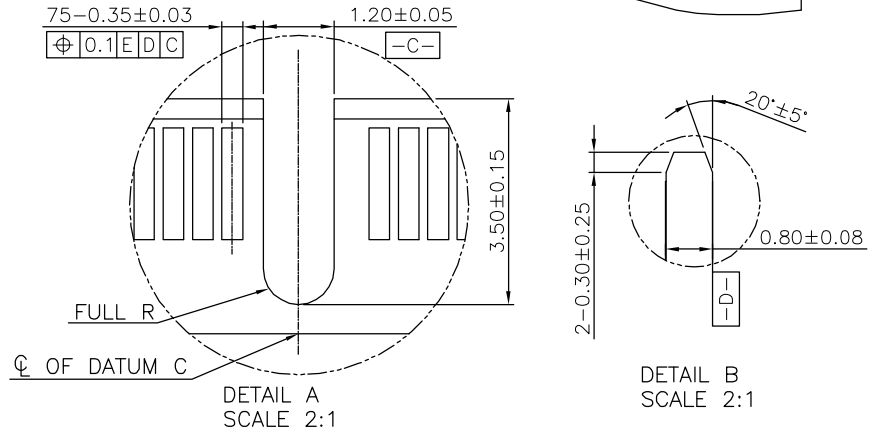
GENERAL TOLERANCES UNLESS SPECIFIED		PART NO.	LOTES
X ± 0.35	X° ± 3°	SEE TABLE 1	
.XX ± 0.25	.X° ± 2°	APPROVED BY Barney	TITLE 0.5 PITCH M.2 H2.3 (E key)
.XXX ± 0.15	.XX° ± 1°	CHECKED BY Vito	DWG NO. AP-APCI0147-P
CUSTOMER DRAWING		DRAWN BY Jason	SHEET 1 / 4
SIZE A4	UNITS MM [INCH]		
			REV 1



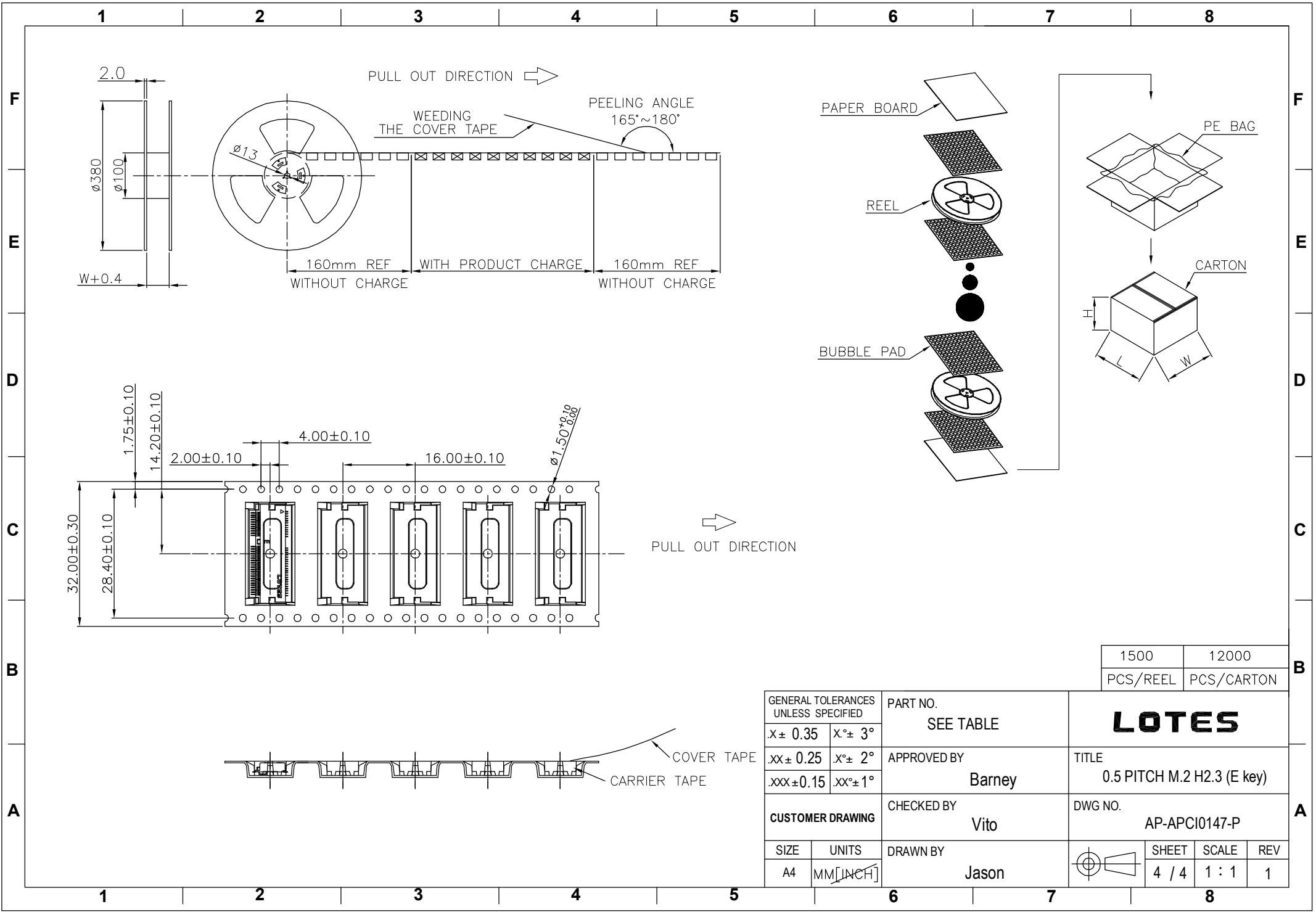
GENERAL TOLERANCES UNLESS SPECIFIED		PART NO. SEE TABLE	LOTES			
X ± 0.35	X.° ± 3°					
.XX ± 0.25	.X.° ± 2°		APPROVED BY Barney	TITLE 0.5 PITCH M.2 H2.3 (E key)		
.XXX ± 0.15	.XX.° ± 1°	CHECKED BY Vito	DWG NO. AP-APCI0147-P			
SIZE A4	UNITS MM [INCH]	DRAWN BY Jason		SHEET 2 / 4	SCALE 4 : 1	REV 1



RECOMMENDED PCB LAYOUT(TOP VIEW)
 DEFAULT TOLERANCE $\pm 0.05 \text{ MM}$



GENERAL TOLERANCES UNLESS SPECIFIED		PART NO. SEE TABLE	LOTES		
$X \pm 0.35$	$X^\circ \pm 3^\circ$				
$.XX \pm 0.25$	$.X^\circ \pm 2^\circ$	APPROVED BY Barney	TITLE 0.5 PITCH M.2 H2.3 (E key)		
$.XXX \pm 0.15$	$.XX^\circ \pm 1^\circ$	CHECKED BY Vito	DWG NO. AP-APCI0147-P		
CUSTOMER DRAWING		DRAWN BY Jason	SHEET 3 / 4	SCALE 4 : 1	REV 1
SIZE A4	UNITS MM [INCH]				



1500	12000
PCS/REEL	PCS/CARTON

GENERAL TOLERANCES UNLESS SPECIFIED		PART NO. SEE TABLE		LOTES			
X ± 0.35	X° ± 3°	APPROVED BY Barney					TITLE 0.5 PITCH M.2 H2.3 (E key)
.XX ± 0.25	.X° ± 2°	CHECKED BY Vito		DWG NO. AP-APCI0147-P			
.XXX ± 0.15	.XX° ± 1°	CUSTOMER DRAWING		DRAWN BY Jason			
SIZE A4	UNITS MM [INCH]	DRAWN BY Jason			SHEET 4 / 4	SCALE 1 : 1	REV 1

X-ON Electronics

Largest Supplier of Electrical and Electronic Components

Click to view similar products for [Standard Card Edge Connectors](#) category:

Click to view products by [LOTES](#) manufacturer:

Other Similar products are found below :

[CR7E-30DB-3.96E\(72\)](#) [6565204-6](#) [1437274-4](#) [EBT15622B2X](#) [1-582587-1](#) [284-0102-12100](#) [286-0052-12101A](#) [306022901000000](#) [307-012-502-202](#) [307-056-520-300](#) [A6D22DS29C2](#) [1926088-2](#) [287-0032-12101](#) [345-060-559-303](#) [392-008-559-201](#) [534671-1](#) [341-240-317](#) [345-044-500-300](#) [346-240-318](#) [387-012-523-300](#) [395-100-524-300](#) [09-07-2032](#) [10035388-802LF](#) [10115859-011LF](#) [10122859-009LF](#) [101269333204245CLF](#) [530555-1](#) [66925-516LF](#) [5145409-2](#) [73726-0005](#) [66308-1](#) [5036A30](#) [PEC-07-02-T-S-A](#) [346-014-520-801](#) [KSLX-62-BR](#) [307-048-502-202](#) [CE100F26-7-C](#) [CE100F28-3-D](#) [CE100F28-4-D](#) [CE156F18-9-C](#) [CE156F22-5-D](#) [CE156F22-9-C](#) [CT100F22-2-D](#) [CT100F22-3-D](#) [CT100F24-2-D](#) [CT100F24-3-D](#) [CT100F24-6-C](#) [CT156F22-4-D](#) [MLSS100-12-C](#) [MLSS100-16-C](#)