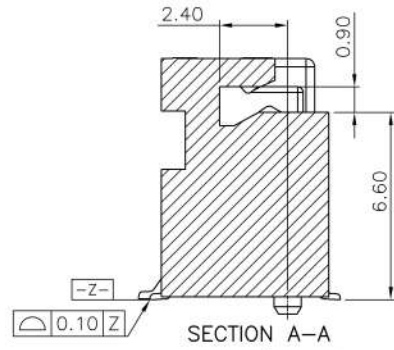
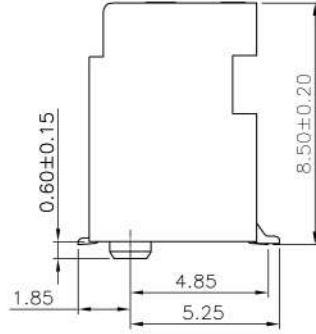
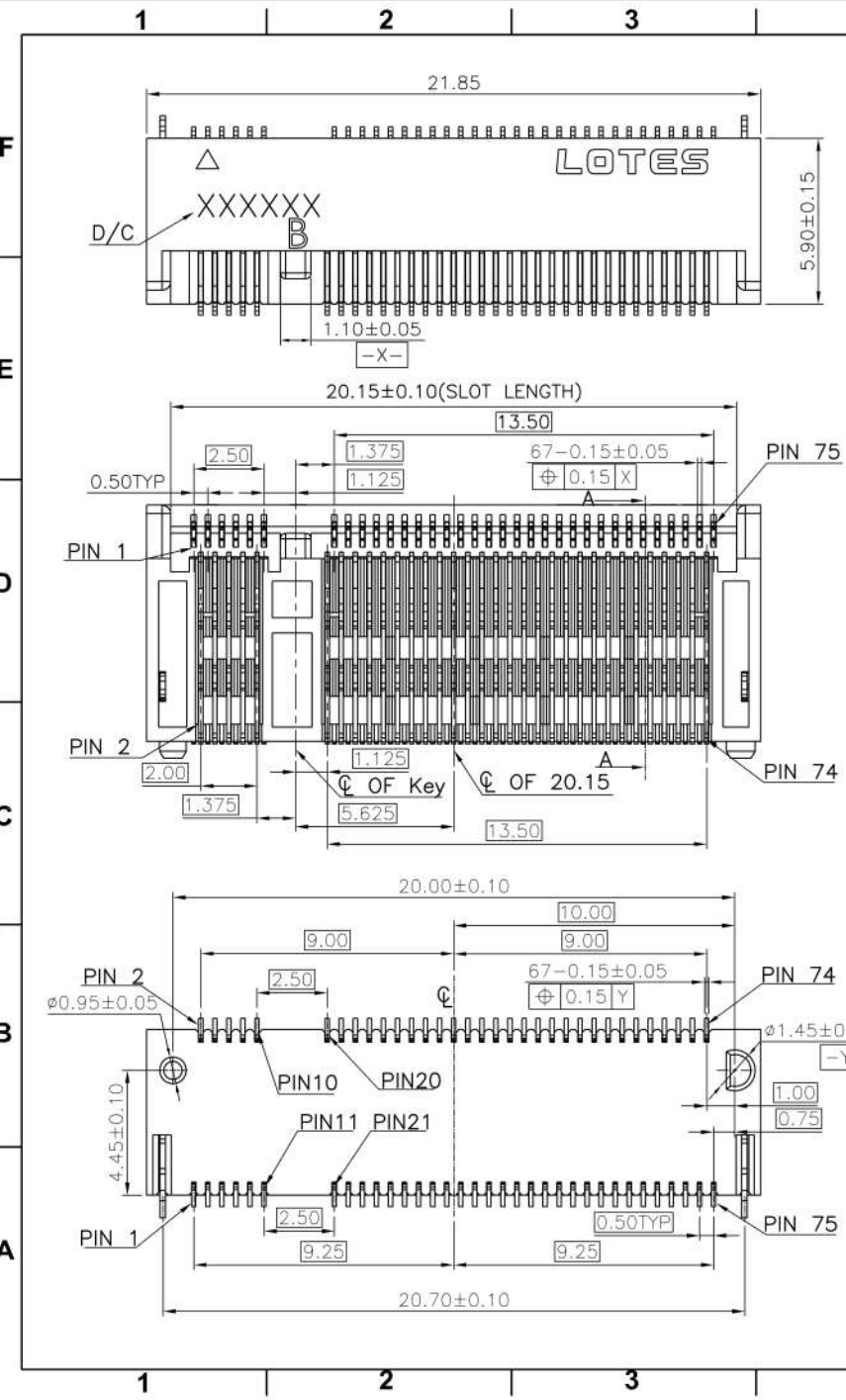


REV.	ECR/N NO./DESCRIPTION	DATE	DRAWN	CHECKED	APPROVE
1	SN14190	01/04'15	SAM	VITO	BARNEY

NOTES:

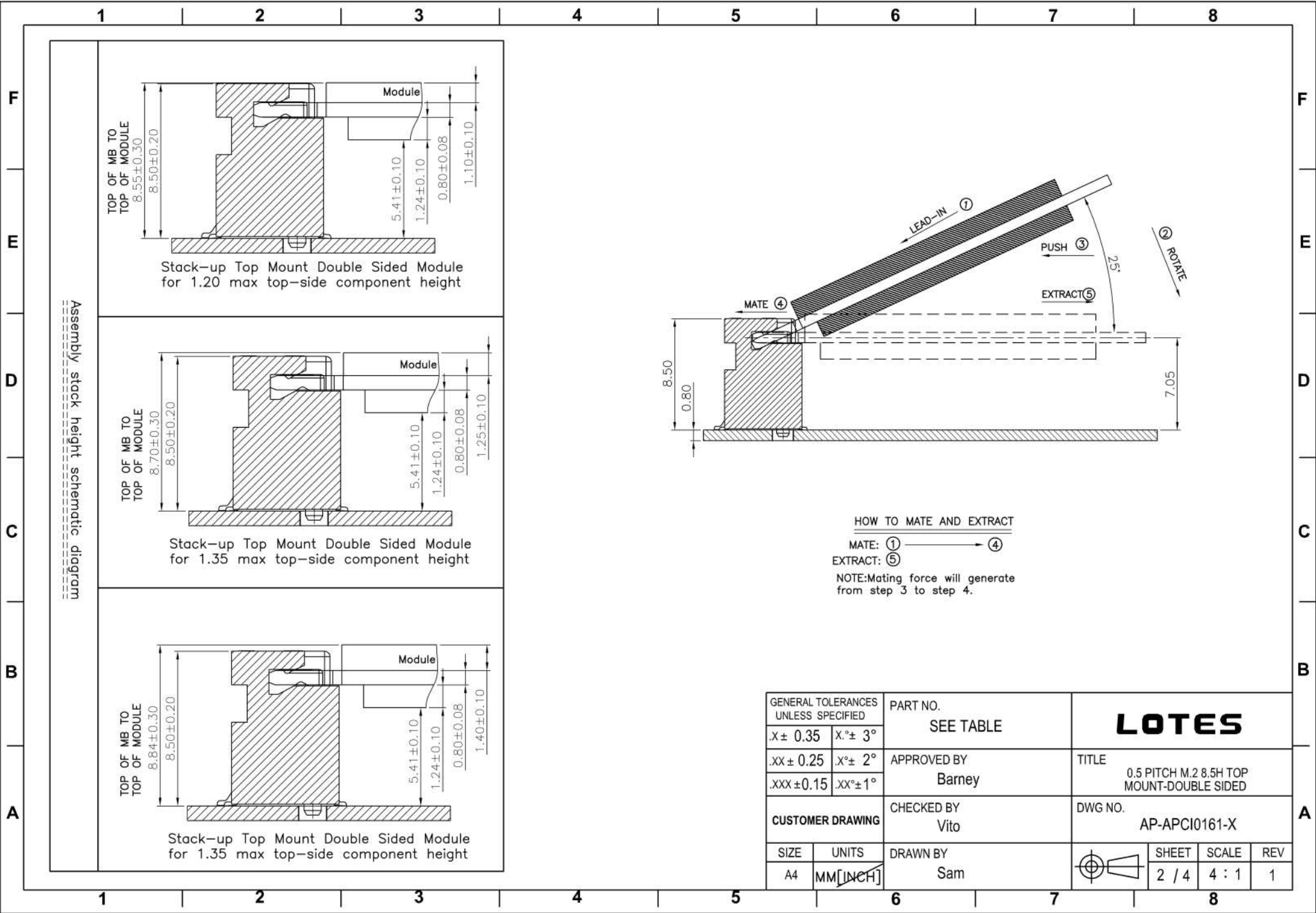
- MATERIAL SPECIFICATION:
 - 1-1. HOUSING: LCP+40%GF,UL-94V0,BLACK.
 - 1-2. CONTACT: COPPER ALLOY C1065.
 - 1-3. SMT TAB: S50C.
- PLATING SPECIFICATION:
 - 2-1. CONTACT:
 - 50u" MIN. NICKEL UNDER PLATING OVER ALL.
 - G/F" PLATING ON SOLDER AREA.
 - GOLD PLATING ON CONTACT AREA SEE TABLE.
 - 2-2. SMT TAB:
 - 50u" MIN. NICKEL UNDER PLATING OVER ALL.
 - 80u" MIN. MATTE TIN PLATING ON SOLDER AREA.
- HF COMPLIANT, ROHS COMPLIANT.
- DATE CODE: XXXXXX
 - DAY
 - WEEK
 - YEAR
- MECHANICAL PERFORMANCE:
 - 5-1. DURABILITY: SEE TABLE
- ELECTRICAL PERFORMANCE:
 - 6-1. CURRENT: 0.5A PER PIN.
 - 6-2. LLCR: INITIAL 55mΩ MAX. ; FINAL ΔLLCR=20mΩ MAX..
- IR REFLOW:
 - THE TEMPERATURE SHALL BE 260±5°C MAINTAINING 10±1 SECONDS.
- PRODUCT NUMBER NOTE

A	P	C	I	X	X	X	X	X	X	X	X	X	X	X
											PACKING TYPE			
											PRODUCT SERIAL NUMBER			
											P:HF COMPLIANT			
											TYPE SERIAL NUMBER			
											PRODUCT TYPE			
											FINISHED PRODUCT			

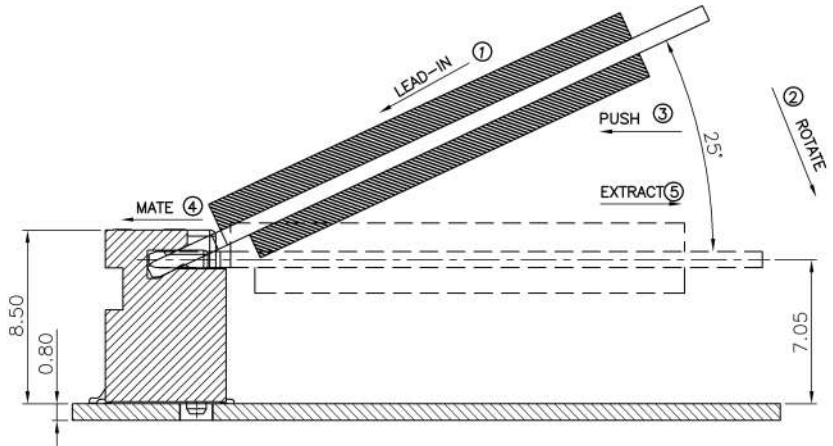
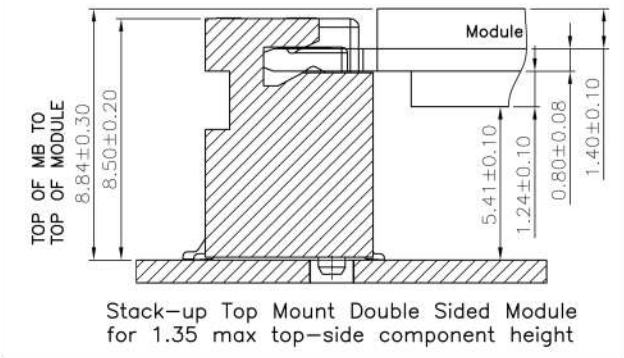
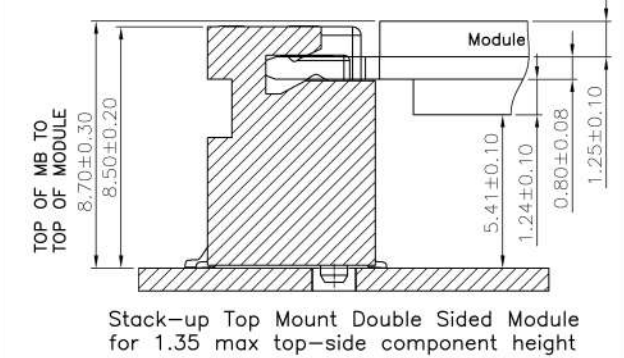
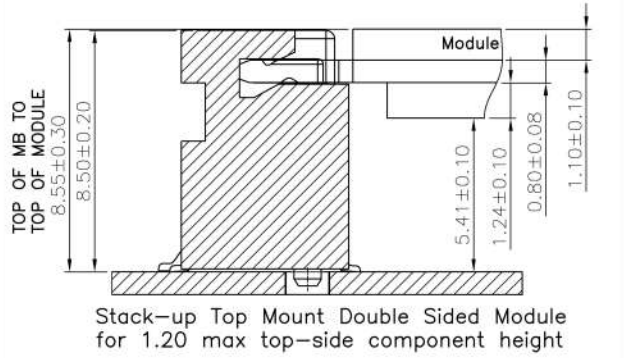


B-KEY	APCI0161-P004A	30u" MIN. GOLD	60 CYCLES
	APCI0161-P003A	15u" MIN. GOLD	25 CYCLES
	APCI0161-P002A	10u" MIN. GOLD	25 CYCLES
	APCI0161-P001A	1u" MIN. GOLD	25 CYCLES
KEY NO.	PART NO.	CONTACT PLATING	DURABILITY

GENERAL TOLERANCES UNLESS SPECIFIED		PART NO. SEE TABLE		LOTES										
X ± 0.35	X° ± 3°	APPROVED BY Barney						TITLE 0.5 PITCH M.2 8.5H TOP MOUNT-DOUBLE SIDED						
.XX ± 0.25	.X° ± 2°	CHECKED BY Vito		DWG NO. AP-APCI0161-X										
.XXX ± 0.15	.XX° ± 1°	CUSTOMER DRAWING												
SIZE A4	UNITS MM [INCH]	DRAWN BY Sam		<table border="1"> <tr> <td rowspan="2" style="text-align: center;">⊕</td> <td>SHEET</td> <td>SCALE</td> <td>REV</td> </tr> <tr> <td>1 / 4</td> <td>4 : 1</td> <td>1</td> </tr> </table>				⊕	SHEET	SCALE	REV	1 / 4	4 : 1	1
⊕	SHEET	SCALE	REV											
	1 / 4	4 : 1	1											



Assembly stack height schematic diagram

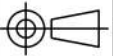


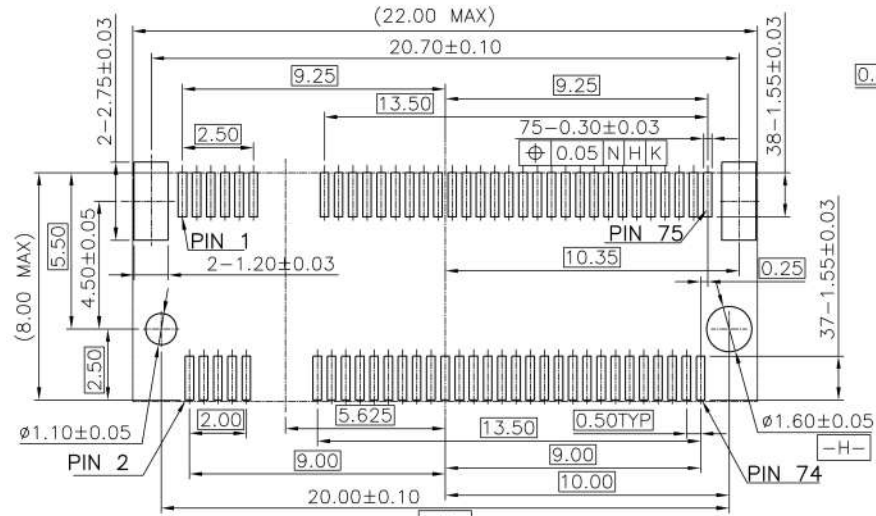
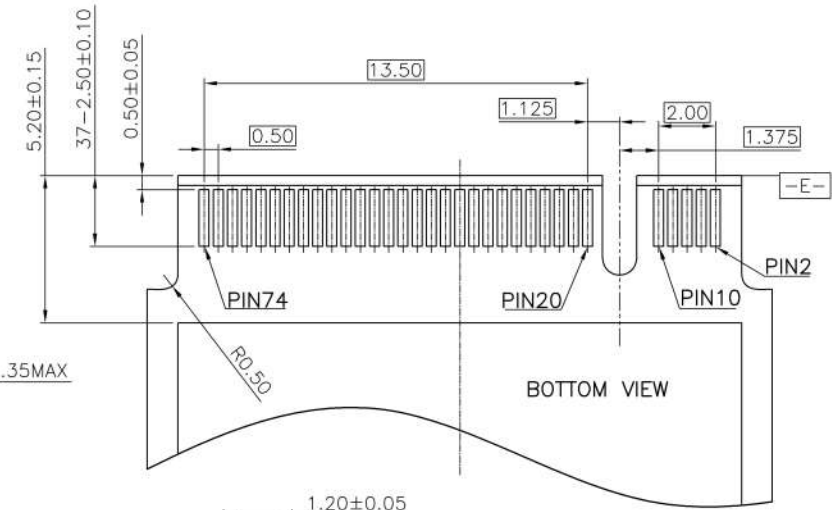
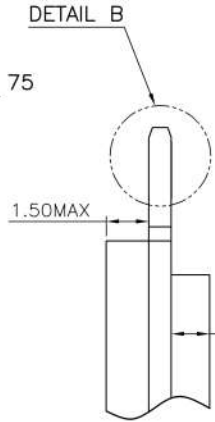
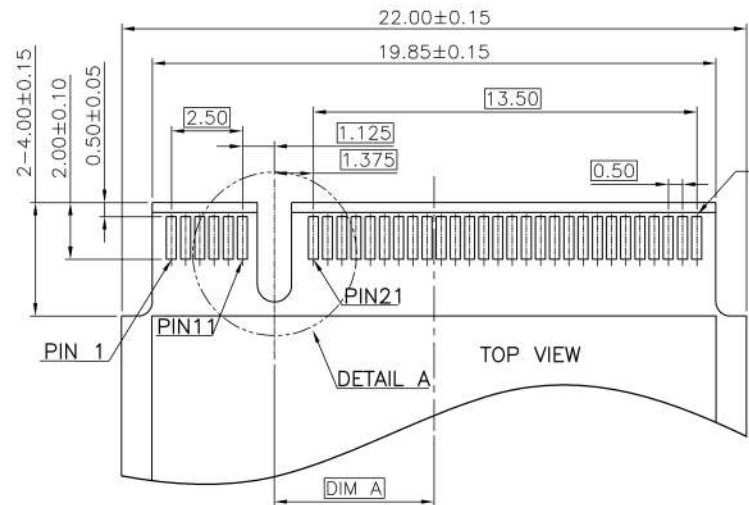
HOW TO MATE AND EXTRACT

MATE: ① → ④

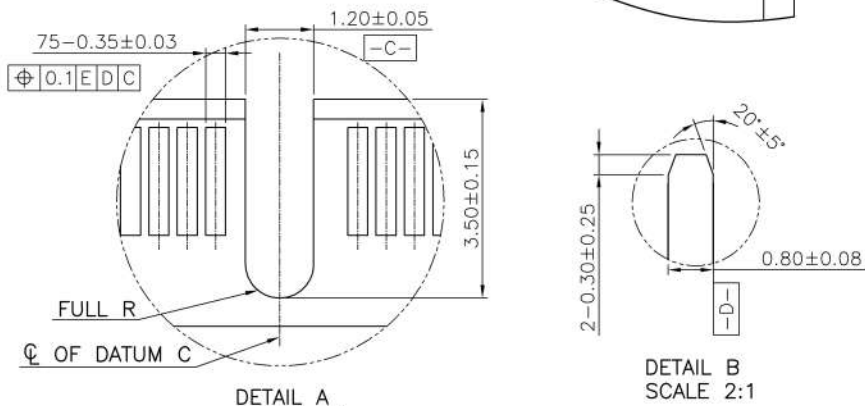
EXTRACT: ⑤

NOTE: Mating force will generate from step 3 to step 4.

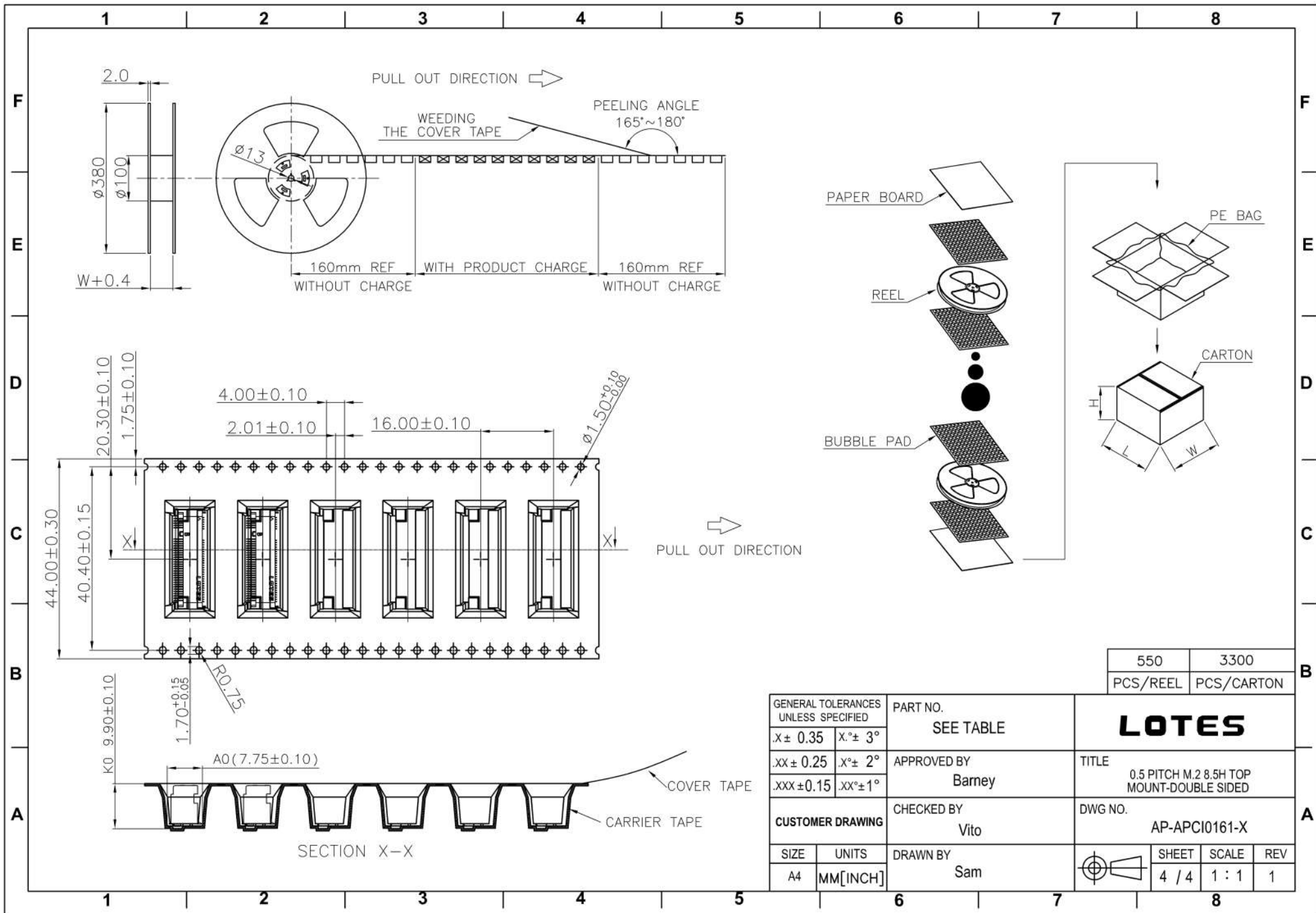
GENERAL TOLERANCES UNLESS SPECIFIED		PART NO. SEE TABLE	LOTES				
$X \pm 0.35$	$X.^{\circ} \pm 3^{\circ}$					APPROVED BY Barney	TITLE 0.5 PITCH M.2 8.5H TOP MOUNT-DOUBLE SIDED
$.XX \pm 0.25$	$X.^{\circ} \pm 2^{\circ}$		CHECKED BY Vito	DWG NO. AP-APCI0161-X			
$.XXX \pm 0.15$	$.XX.^{\circ} \pm 1^{\circ}$	CUSTOMER DRAWING	DRAWN BY Sam		SHEET 2 / 4	SCALE 4 : 1	REV 1



RECOMMENDED PCB LAYOUT(TOP VIEW)
DEFAULT TOLERANCE ±0.05MM



GENERAL TOLERANCES UNLESS SPECIFIED		PART NO. SEE TABLE	LOTES			
X± 0.35	X.°± 3°					
.XX ± 0.25	X.°± 2°		CHECKED BY Vito		DWG NO. AP-APCI0161-X	
.XXX ± 0.15	.XX°± 1°	CUSTOMER DRAWING		DRAWN BY Sam		
SIZE A4	UNITS MM[INCH]			SHEET 3 / 4		
				SCALE 4 : 1		
				REV 1		



550	3300
PCS/REEL	PCS/CARTON

GENERAL TOLERANCES UNLESS SPECIFIED		PART NO. SEE TABLE	LOTES		
$.X \pm 0.35$	$X^{\circ} \pm 3^{\circ}$				
$.XX \pm 0.25$	$X^{\circ} \pm 2^{\circ}$		APPROVED BY Barney	TITLE 0.5 PITCH M.2 8.5H TOP MOUNT-DOUBLE SIDED	
$.XXX \pm 0.15$	$.XX^{\circ} \pm 1^{\circ}$	CHECKED BY Vito	DWG NO. AP-APCI0161-X		
CUSTOMER DRAWING		DRAWN BY Sam	SHEET 4 / 4	SCALE 1 : 1	REV 1
SIZE A4	UNITS MM[INCH]				

X-ON Electronics

Largest Supplier of Electrical and Electronic Components

Click to view similar products for [Standard Card Edge Connectors](#) category:

Click to view products by [LOTES](#) manufacturer:

Other Similar products are found below :

[CR7E-30DB-3.96E\(72\)](#) [6565204-6](#) [1437274-4](#) [EBT15622B2X](#) [1-582587-1](#) [284-0102-12100](#) [286-0052-12101A](#) [306022901000000](#) [307-012-502-202](#) [307-056-520-300](#) [A6D22DS29C2](#) [1926088-2](#) [287-0032-12101](#) [345-060-559-303](#) [392-008-559-201](#) [534671-1](#) [341-240-317](#) [345-044-500-300](#) [346-240-318](#) [387-012-523-300](#) [395-100-524-300](#) [09-07-2032](#) [10035388-802LF](#) [10115859-011LF](#) [10122859-009LF](#) [101269333204245CLF](#) [530555-1](#) [66925-516LF](#) [5145409-2](#) [73726-0005](#) [66308-1](#) [5036A30](#) [PEC-07-02-T-S-A](#) [346-014-520-801](#) [KSLX-62-BR](#) [307-048-502-202](#) [CE100F26-7-C](#) [CE100F28-3-D](#) [CE100F28-4-D](#) [CE156F18-9-C](#) [CE156F22-5-D](#) [CE156F22-9-C](#) [CT100F22-2-D](#) [CT100F22-3-D](#) [CT100F24-2-D](#) [CT100F24-3-D](#) [CT100F24-6-C](#) [CT156F22-4-D](#) [MLSS100-12-C](#) [MLSS100-16-C](#)