

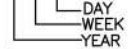
REV.	ECR/N NO./DESCRIPTION	DATE	DRAWN	CHECKED	APPROVE
1A	SN17***	12/11'17	Jingyan.Zhao	Vito	Ford
1B	SN17***	12/13'17	Jingyan.Zhao	Vito	Ford
1C	SN18***	09/10'18	Macan	Vito	Ford

NOTES:

- MATERIAL SPECIFICATION:
 - HOUSING: LCP+40%GF,UL-94V0,BLACK.
 - CONTACT:COPPER ALLOY .
 - SMT TAB: S50C.
- PLATING SPECIFICATION:
 - CONTACT:
 - 50u" MIN.NICKEL UNDER PLATING OVER ALL.
 - G/F" PLATING ON SOLDER AREA.
 - GOLD PLATING ON CONTACT AREA SEE TABLE.
 - SMT TAB:
 - 50u" MIN. NICKEL UNDER PLATING OVER ALL .
 - 80u" MIN. MATTE TIN PLATING ON SOLDER AREA.

3. HF COMPLIANT, ROHS COMPLIANT.

4. DATE CODE: XXXXXX



5. MECHANICAL PERFORMANCE: 5-1. DURABILITY: SEE TABLE

6. ELECTRICAL PERFORMANCE:

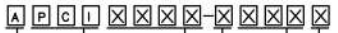
6-1. CURRENT: 0.5A PER PIN.

6-2. LLCR: INITIAL 55mΩ MAX. ; FINAL ΔLLCR=20mΩ MAX..

7. IR REFLOW:

THE TEMPERATURE SHALL BE 260±5°C MAINTAINING 10±1 SECONDS.

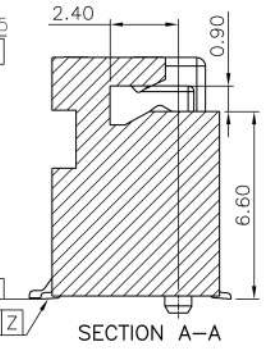
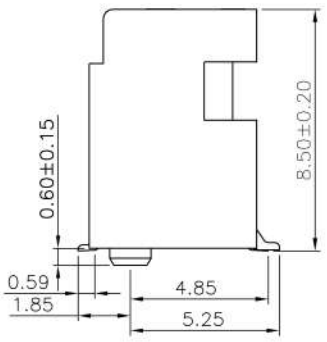
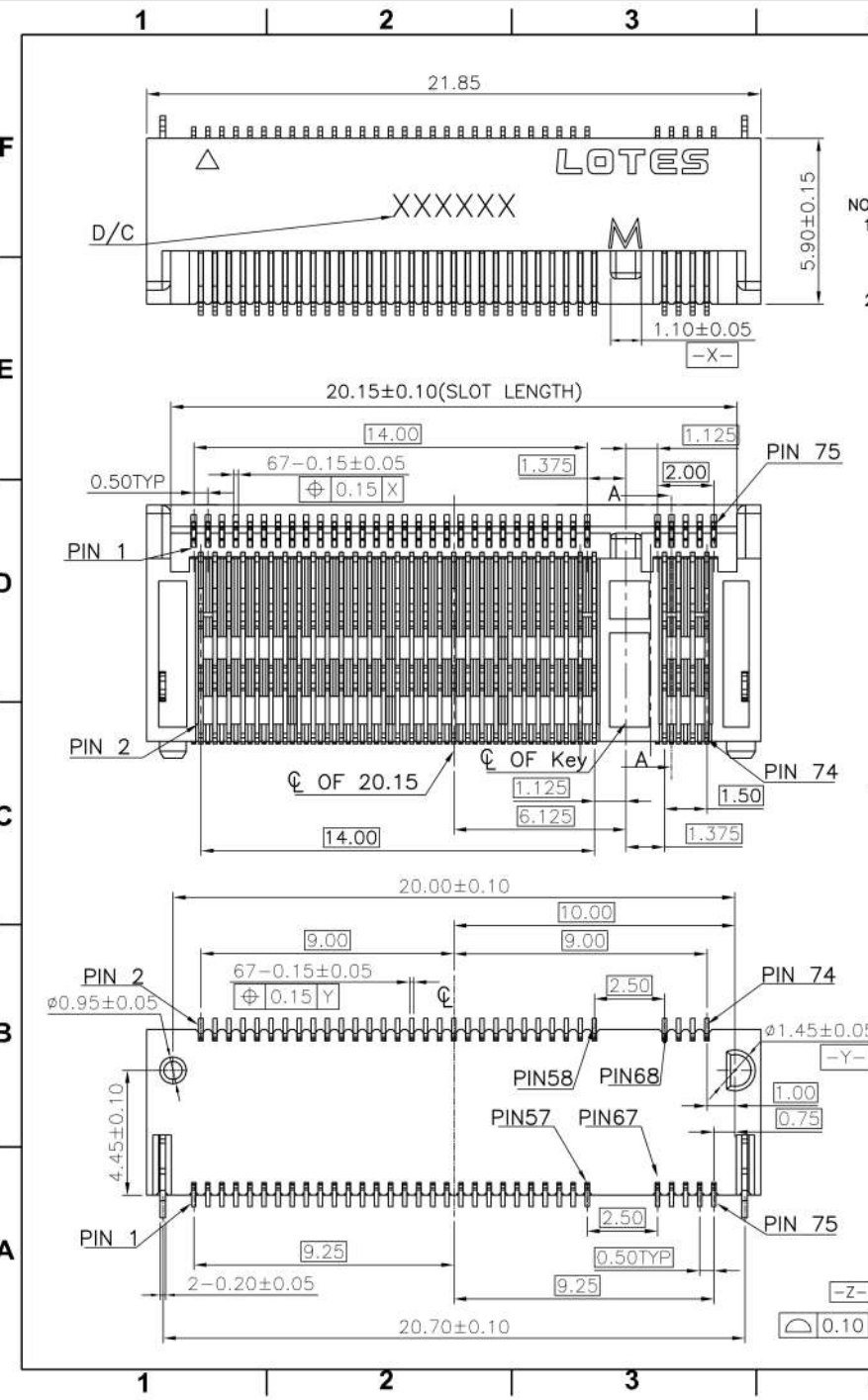
8. PRODUCT NUMBER NOTE



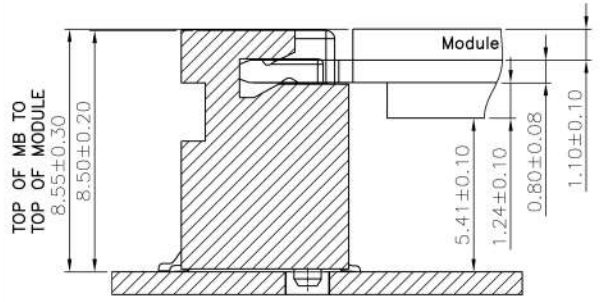
- PACKING TYPE
- PRODUCT SERIAL NUMBER
- P:HF COMPLIANT
- TYPE SERIAL NUMBER
- PRODUCT TYPE
- FINISHED PRODUCT

M-KEY	APCIO164-P004A	30u" MIN. GOLD	60 CYCLES
	APCIO164-P003A	15u" MIN. GOLD	25 CYCLES
	APCIO164-P002A	10u" MIN. GOLD	25 CYCLES
	APCIO164-P001A	1u" MIN. GOLD	25 CYCLES

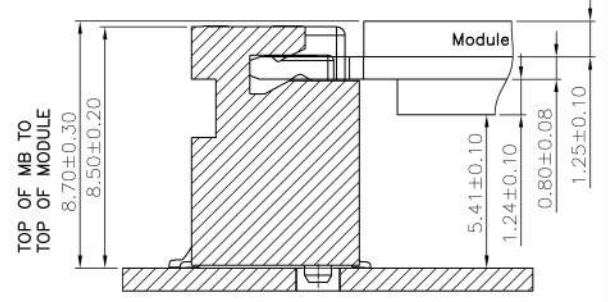
GENERAL TOLERANCES UNLESS SPECIFIED		PART NO.	LOTES			
X ± 0.35	X ° ± 3°	SEE TABLE				
.XX ± 0.25	.X ° ± 2°	APPROVED BY	TITLE			
.XXX ± 0.15	.XX ° ± 1°	Barney	0.5 PITCH M.2 8.5H TOP MOUNT-DOUBLE SIDED			
CUSTOMER DRAWING		CHECKED BY	DWG NO.			
		Vito	AP-APCIO164-X			
SIZE	UNITS	DRAWN BY	SHEET		SCALE	REV
A4	MM [INCH]	Sam	1 / 4		4 : 1	1C



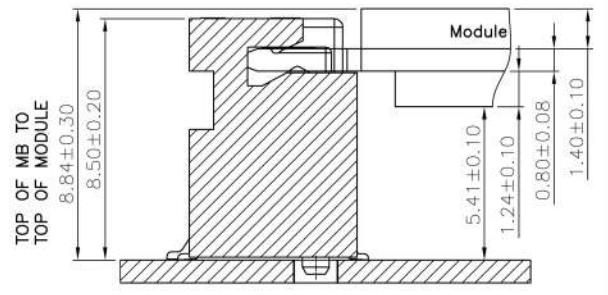
Assembly stack height schematic diagram



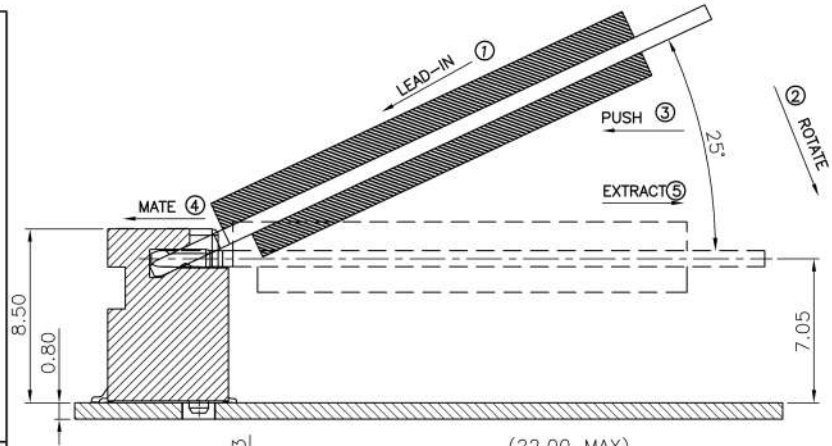
Stack-up Top Mount Double Sided Module for 1.20 max top-side component height



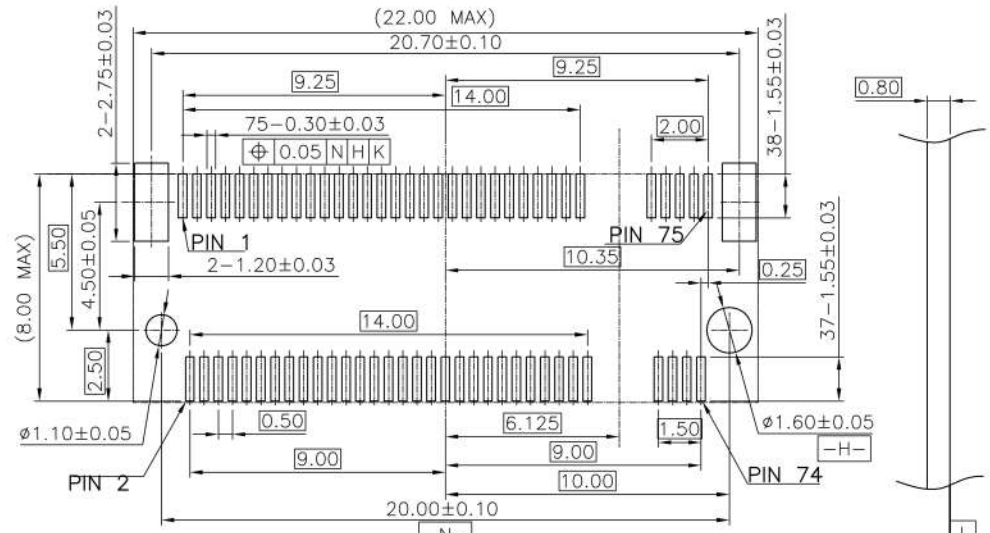
Stack-up Top Mount Double Sided Module for 1.35 max top-side component height



Stack-up Top Mount Double Sided Module for 1.35 max top-side component height



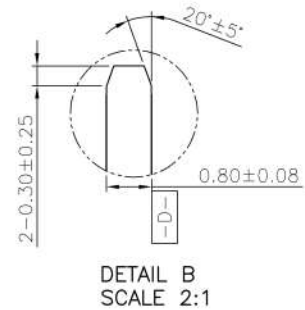
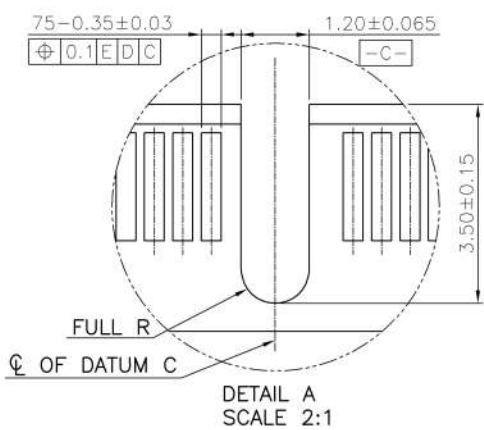
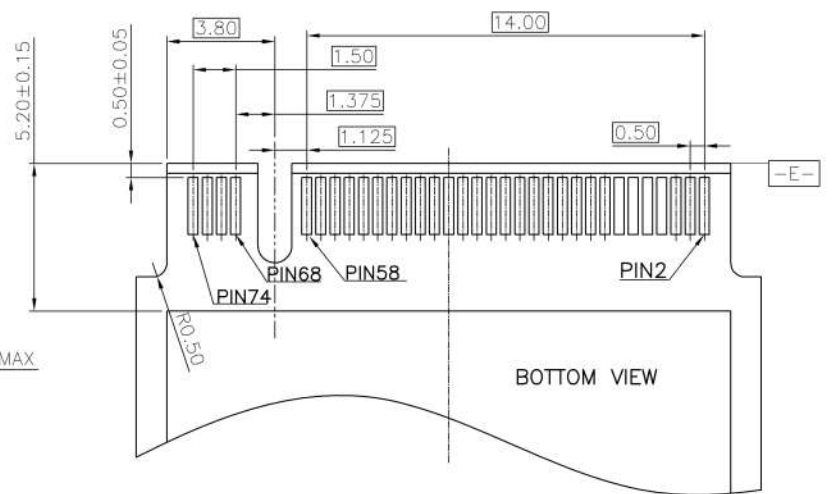
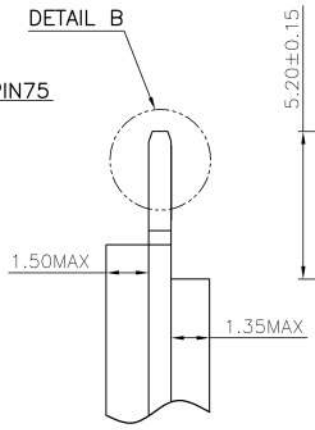
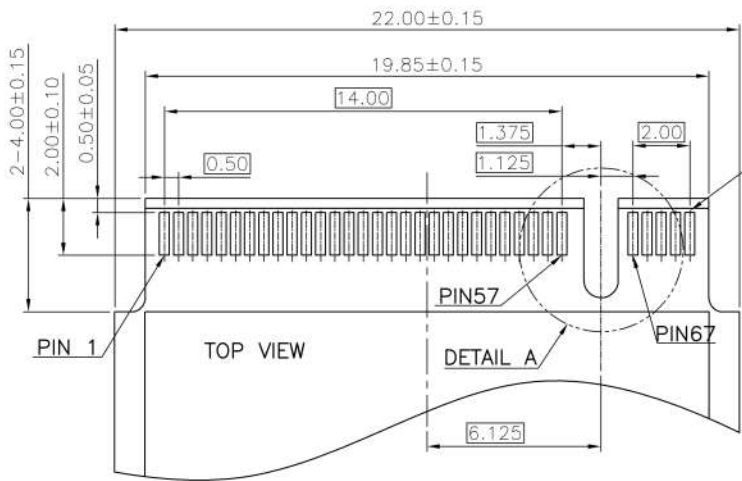
HOW TO MATE AND EXTRACT
 MATE: ① → ④
 EXTRACT: ⑤
 NOTE: Mating force will generate from step 3 to step 4.



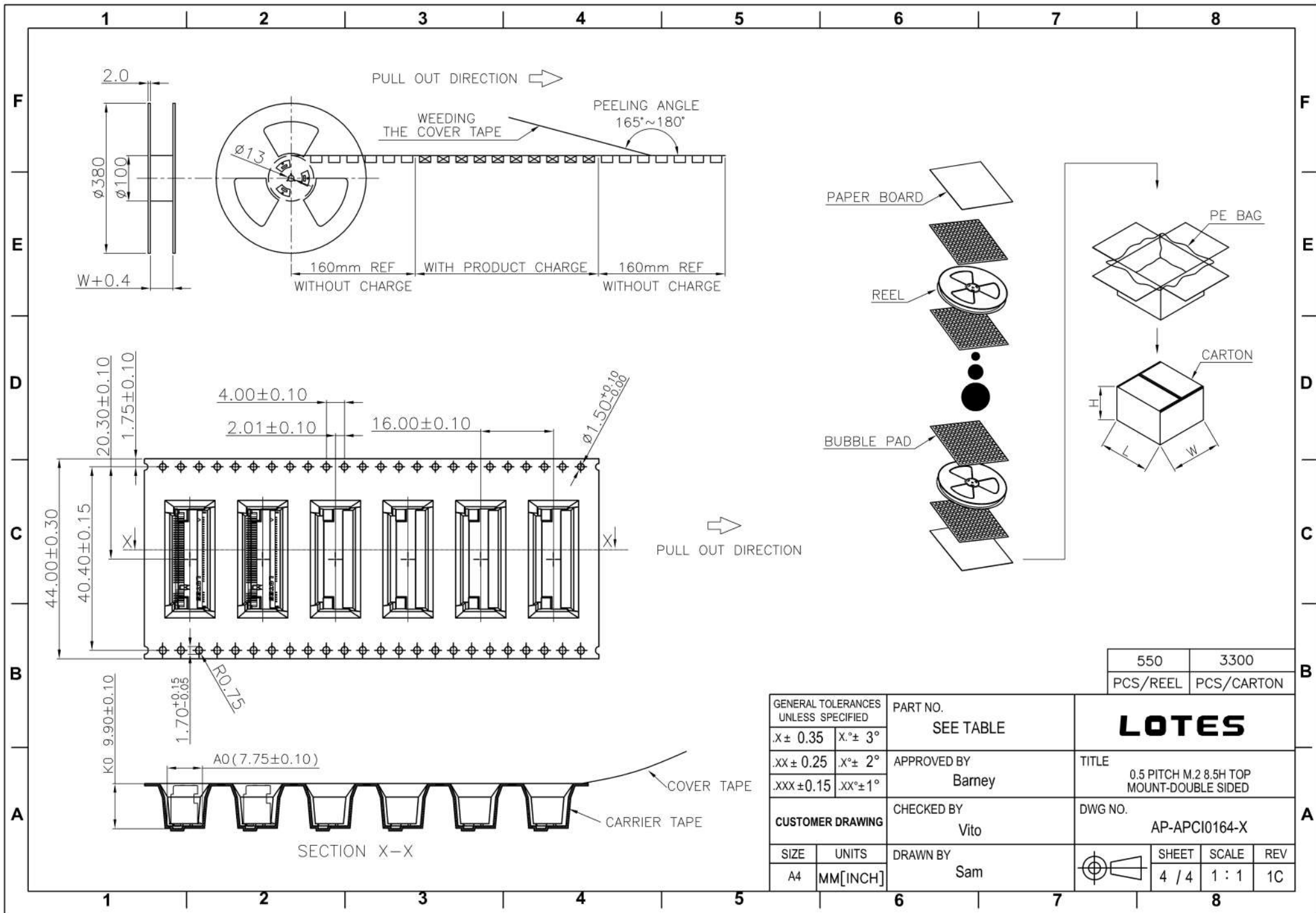
RECOMMENDED PCB LAYOUT(TOP VIEW)

DEFAULT TOLERANCE ±0.05MM

GENERAL TOLERANCES UNLESS SPECIFIED		PART NO. SEE TABLE	LOTES		
X± 0.35	X°± 3°				
.XX ± 0.25	X°± 2°		APPROVED BY Barney	TITLE 0.5 PITCH M.2 8.5H TOP MOUNT-DOUBLE SIDED	
.XXX ± 0.15	.XX°± 1°	CHECKED BY Vito	DWG NO. AP-APCI0164-X		
CUSTOMER DRAWING		DRAWN BY Sam	SHEET 2 / 4		
SIZE A4	UNITS MM [INCH]		SCALE 4 : 1		REV 1C



GENERAL TOLERANCES UNLESS SPECIFIED		PART NO. SEE TABLE	LOTES		
X ± 0.35	X ° ± 3°				
.XX ± 0.25	X ° ± 2°		CHECKED BY Vito	DWG NO. AP-APCI0164-X	
.XXX ± 0.15	.XX ° ± 1°	CUSTOMER DRAWING	DRAWN BY Sam	SHEET 3 / 4	
SIZE A4	UNITS MM[INCH]			SCALE 4 : 1	REV 1C



550	3300
PCS/REEL	PCS/CARTON

GENERAL TOLERANCES UNLESS SPECIFIED		PART NO. SEE TABLE	LOTES		
$.X \pm 0.35$	$X^{\circ} \pm 3^{\circ}$				
$.XX \pm 0.25$	$X^{\circ} \pm 2^{\circ}$		APPROVED BY Barney	TITLE 0.5 PITCH M.2 8.5H TOP MOUNT-DOUBLE SIDED	
$.XXX \pm 0.15$	$.XX^{\circ} \pm 1^{\circ}$	CHECKED BY Vito	DWG NO. AP-APCI0164-X		
CUSTOMER DRAWING		DRAWN BY Sam	SHEET 4 / 4	SCALE 1 : 1	REV 1C
SIZE A4	UNITS MM[INCH]				

X-ON Electronics

Largest Supplier of Electrical and Electronic Components

Click to view similar products for [Standard Card Edge Connectors](#) category:

Click to view products by [LOTES](#) manufacturer:

Other Similar products are found below :

[CR7E-30DB-3.96E\(72\)](#) [6565204-6](#) [1437274-4](#) [EBT15622B2X](#) [1-582587-1](#) [284-0102-12100](#) [286-0052-12101A](#) [306022901000000](#) [307-012-502-202](#) [307-056-520-300](#) [A6D22DS29C2](#) [1926088-2](#) [287-0032-12101](#) [345-060-559-303](#) [392-008-559-201](#) [534671-1](#) [341-240-317](#) [345-044-500-300](#) [346-240-318](#) [387-012-523-300](#) [395-100-524-300](#) [09-07-2032](#) [10035388-802LF](#) [10115859-011LF](#) [10122859-009LF](#) [101269333204245CLF](#) [530555-1](#) [66925-516LF](#) [5145409-2](#) [73726-0005](#) [66308-1](#) [5036A30](#) [PEC-07-02-T-S-A](#) [346-014-520-801](#) [KSLX-62-BR](#) [307-048-502-202](#) [CE100F26-7-C](#) [CE100F28-3-D](#) [CE100F28-4-D](#) [CE156F18-9-C](#) [CE156F22-5-D](#) [CE156F22-9-C](#) [CT100F22-2-D](#) [CT100F22-3-D](#) [CT100F24-2-D](#) [CT100F24-3-D](#) [CT100F24-6-C](#) [CT156F22-4-D](#) [MLSS100-12-C](#) [MLSS100-16-C](#)