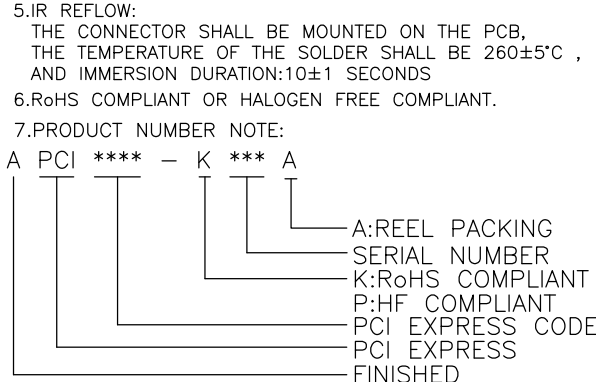
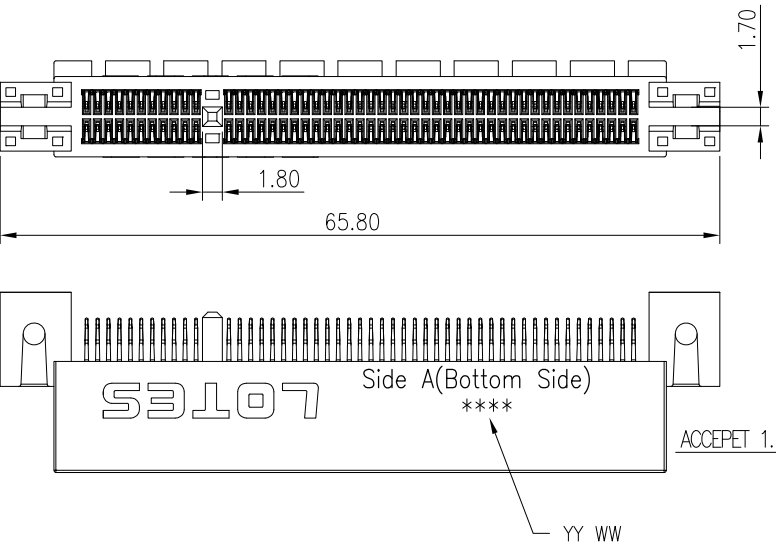
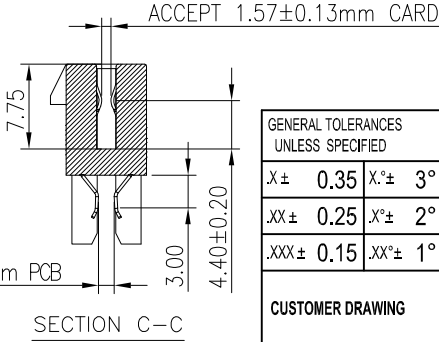


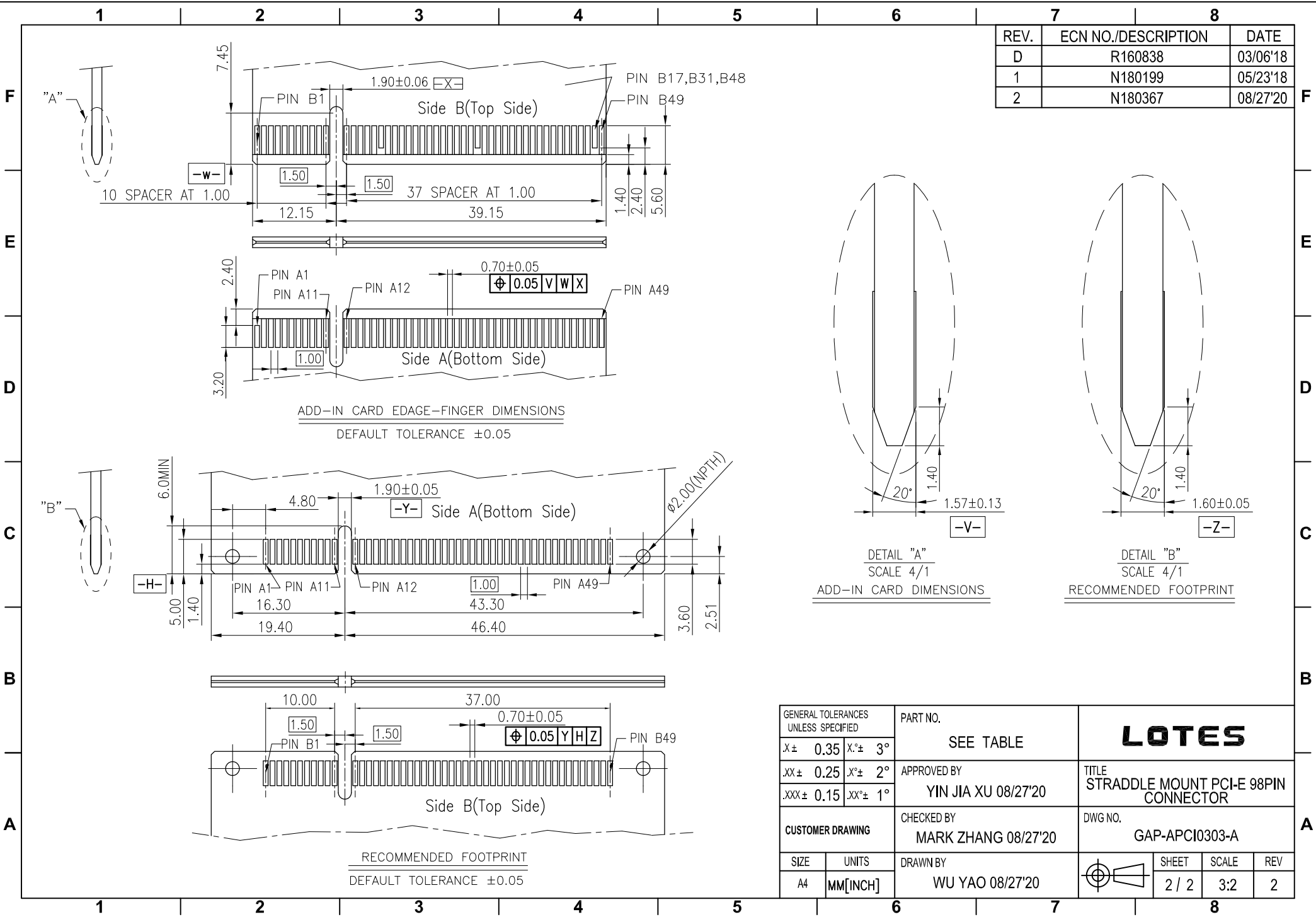
REV.	ECN NO./DESCRIPTION	DATE
D	R160838	03/06'18
1	N180199	05/23'18
2	N180367	08/27'20

- NOTES:
- MATERIAL:
HOUSING: HIGH TEMPERATURE THERMOPLASTIC.(SEE TABLE)
TERMINAL: BRASS C2680 OR PHOSPHOR BRONZE(SEE TABLE)
 - FINISH:
CONTACT: 50u" NI PLATING OVER ALL;
100u" MATTE Sn PLATING ON SOLDER TAIL;
Au PLATING ON CONTACT AREA.
 - MECHANICAL SPEC:
DURABILITY: 50 CYCLES.
RETENTION FORCE: 0.40 kgf MIN PER PIN.
MATING FORCE: 1.15N MAX PER PAIR.
UNMATING FORCE: 0.15N MIN PER PAIR.
 - ELECTRICAL SPEC:
CURRENT RATING: 1.1A.
CONTACT RESISTANCE: 30 MILLIOHMS MAX. INITIAL.
INSULATION RESISTANCE: 1000 MEGOHMS MIN.
DIELECTRIC WITHSTANDING VOLTAGE: 500V AC MIN.



GENERAL TOLERANCES UNLESS SPECIFIED		PART NO.	LOTES		
X± 0.35	X°± 3°	SEE TABLE	TITLE STRADDLE MOUNT PCI-E 98PIN CONNECTOR		
.XX± 0.25	.X°± 2°	APPROVED BY YIN JIA XU 08/27'20	DWG NO. GAP-APCI0303-A		
.XXX± 0.15	.XX°± 1°	CHECKED BY MARK ZHANG 08/27'20	DRAWN BY WU YAO 08/27'20		
SIZE A4	UNITS MM[INCH]		SHEET 1 / 2	SCALE 3:2	REV 2





REV.	ECN NO./DESCRIPTION	DATE
D	R160838	03/06'18
1	N180199	05/23'18
2	N180367	08/27'20

GENERAL TOLERANCES UNLESS SPECIFIED		PART NO. SEE TABLE	LOTES			
X± 0.35	X°± 3°					TITLE STRADDLE MOUNT PCI-E 98PIN CONNECTOR
.XX± 0.25	.X°± 2°		APPROVED BY YIN JIA XU 08/27'20			
.XXX± 0.15	.XX°± 1°	CHECKED BY MARK ZHANG 08/27'20		DWG NO. GAP-APCI0303-A		
SIZE A4	UNITS MM[INCH]	DRAWN BY WU YAO 08/27'20		SHEET 2 / 2	SCALE 3:2	REV 2

	1	2	3	4	5	6	7	8
F								
E								
	TABLE:							
	NO.	PART NUMBER	HOUSING	TERMINAL			CAP	
	1	APCI0303-K004A	PA9T+30%GF_BLACK UL94 V0	PHOSPHOR BRONZE_C5191 Au_G/F			LCP+40%GF_BLACK UL94 V0	
	2	APCI0303-K007A	PA9T+30%GF_BLACK UL94 V0	PHOSPHOR BRONZE_C5191 Au_15u'			LCP+40%GF_BLACK UL94 V0	
	3	APCI0303-K006A	PA9T+30%GF_BLACK UL94 V0	PHOSPHOR BRONZE_C5191 Au_30u'			LCP+40%GF_BLACK UL94 V0	
D	4	APCI0303-P007A	PA9T+45%GF_BLACK UL94 V0	PHOSPHOR BRONZE_C5191 Au_15u'			LCP+40%GF_BLACK UL94 V0	
	5	APCI0303-P008A	PA9T+45%GF_BLACK UL94 V0	PHOSPHOR BRONZE_C5191 Au_30u'			LCP+40%GF_BLACK UL94 V0	
C								
B								
A								
	1	2	3	4	5	6	7	8

X-ON Electronics

Largest Supplier of Electrical and Electronic Components

Click to view similar products for [Standard Card Edge Connectors](#) category:

Click to view products by [LOTES](#) manufacturer:

Other Similar products are found below :

[CR7E-30DB-3.96E\(72\)](#) [6565204-6](#) [1437274-4](#) [EBT15622B2X](#) [1-582587-1](#) [284-0102-12100](#) [286-0052-12101A](#) [306022901000000](#) [307-012-502-202](#) [307-056-520-300](#) [A6D22DS29C2](#) [1926088-2](#) [287-0032-12101](#) [345-060-559-303](#) [392-008-559-201](#) [534671-1](#) [341-240-317](#) [345-044-500-300](#) [346-240-318](#) [387-012-523-300](#) [395-100-524-300](#) [09-07-2032](#) [10035388-802LF](#) [10115859-011LF](#) [10122859-009LF](#) [101269333204245CLF](#) [530555-1](#) [66925-516LF](#) [5145409-2](#) [73726-0005](#) [66308-1](#) [5036A30](#) [PEC-07-02-T-S-A](#) [346-014-520-801](#) [KSLX-62-BR](#) [307-048-502-202](#) [CE100F26-7-C](#) [CE100F28-3-D](#) [CE100F28-4-D](#) [CE156F18-9-C](#) [CE156F22-5-D](#) [CE156F22-9-C](#) [CT100F22-2-D](#) [CT100F22-3-D](#) [CT100F24-2-D](#) [CT100F24-3-D](#) [CT100F24-6-C](#) [CT156F22-4-D](#) [MLSS100-12-C](#) [MLSS100-16-C](#)