
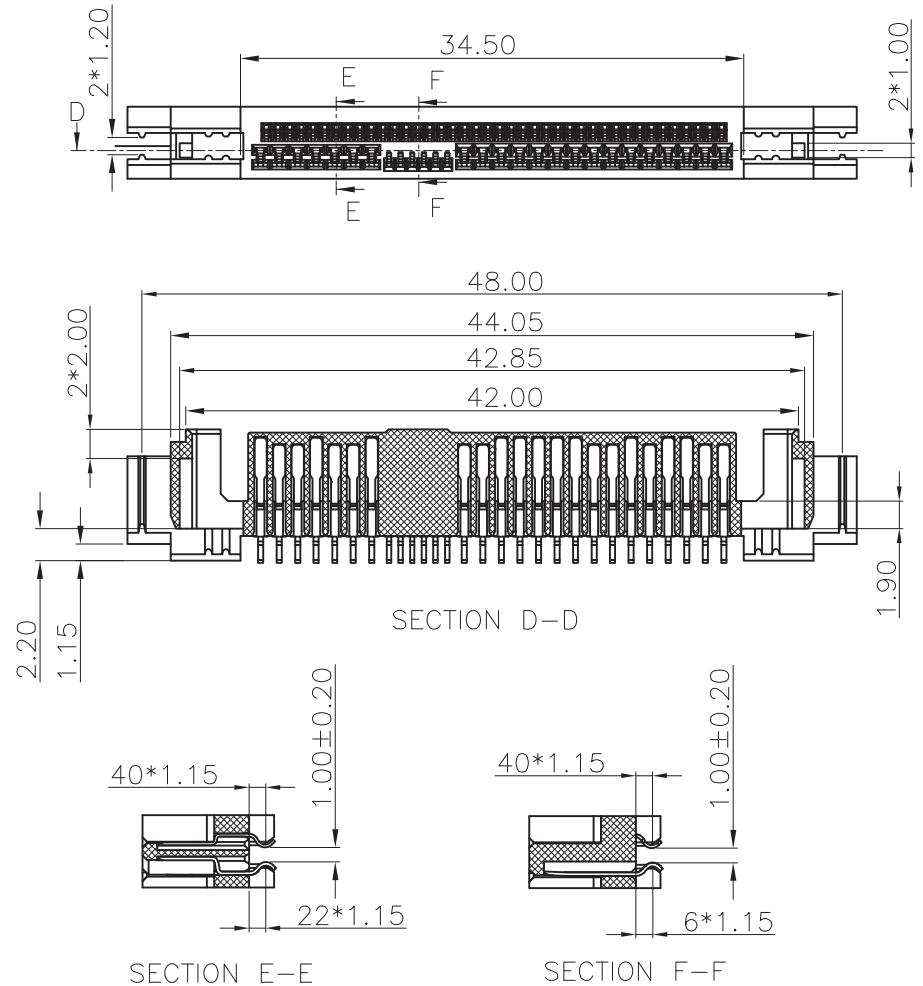


REV.	ECN NO./DESCRIPTION	DATE
1	N150034	01/09'15

GENERAL TOLERANCES UNLESS SPECIFIED		PART NO. SEE TABLE	LOTES			
X± 0.35	X°± 3°					APPROVED BY Jack_Fan
.XX± 0.25	.X°± 2°		CHECKED BY Kelven_Yao	DWG NO. GAP-ASAT0015		
.XXX± 0.15	.XX°± 1°	DRAWN BY Xiao_Feng		SHEET 1 / 5	SCALE 2:1	REV 1
SIZE A4	UNITS mm[inch]					

REV.	ECN NO./DESCRIPTION	DATE
1	N150034	01/09'15



- NOTES:
- MATERIAL:
 - HOUSING: LCP+40%GF,UL94V-0;COLOR:BLACK
 - CONTACT: BRASS C2680.
 - FINISHED:

CONTACTS: 50u"Min Ni UNDER PLATED OVER ALL.
 Au15u"Min PLATED ON FUNCTIONAL CONTACT AREA .
 MATTE TIN 100u"Min PLATED ON SOLDER AREA.
 - MECHANICAL PERFORMANCE:
 - INSERTION FORCE: 45N Max.
 - REMOVAL FORCE: 10N Min.
 - DURABILITY: 50 CYCLES.
 - ELECTRICAL PERFORMANCE
 - INSULATION RESISTANCE;1000MΩ Min.
 - DIELECTRIC WITHSTANDING VOLTAGE:AC 500V FOR 1 MINUTE.
 - LOW LEVEL CONTACT RESISTANCE:

INITIAL 30 mΩ Max; FINAL 45 mΩ Max.
 - IR REFLOW::

THE PEAK TEMPERATURE ON THE BOARD SHALL BE MAINTAINED FOR 10 SECONDS AT 260± 5℃.
 - HF COMPLIANT.

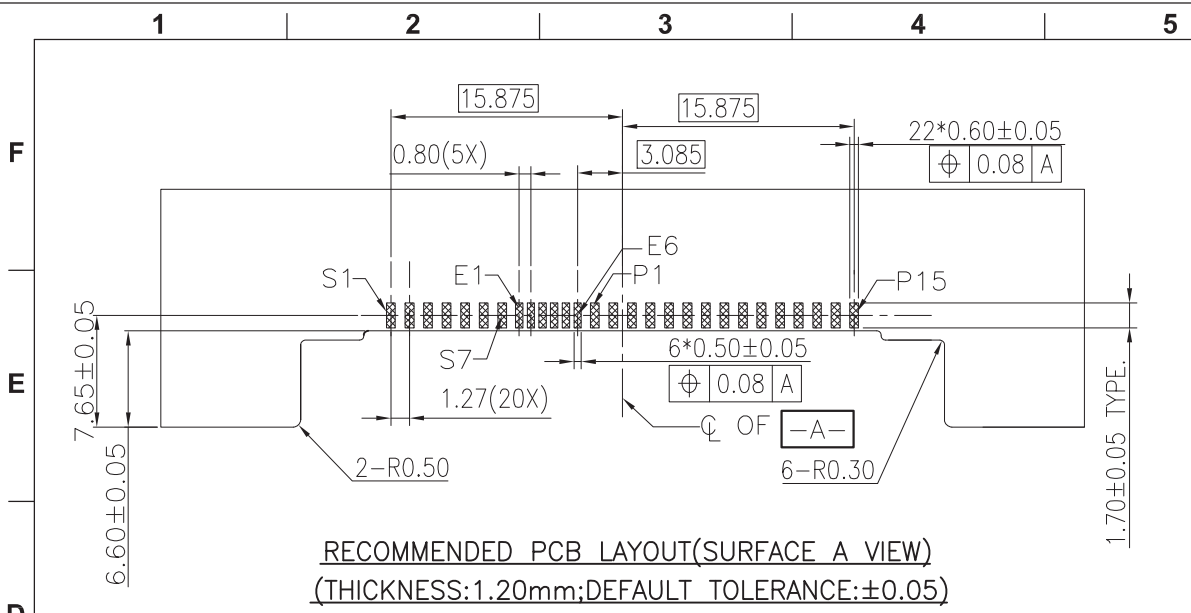
PRODUCT NUMBER NOTE:

A SAT 0015 -P***C**

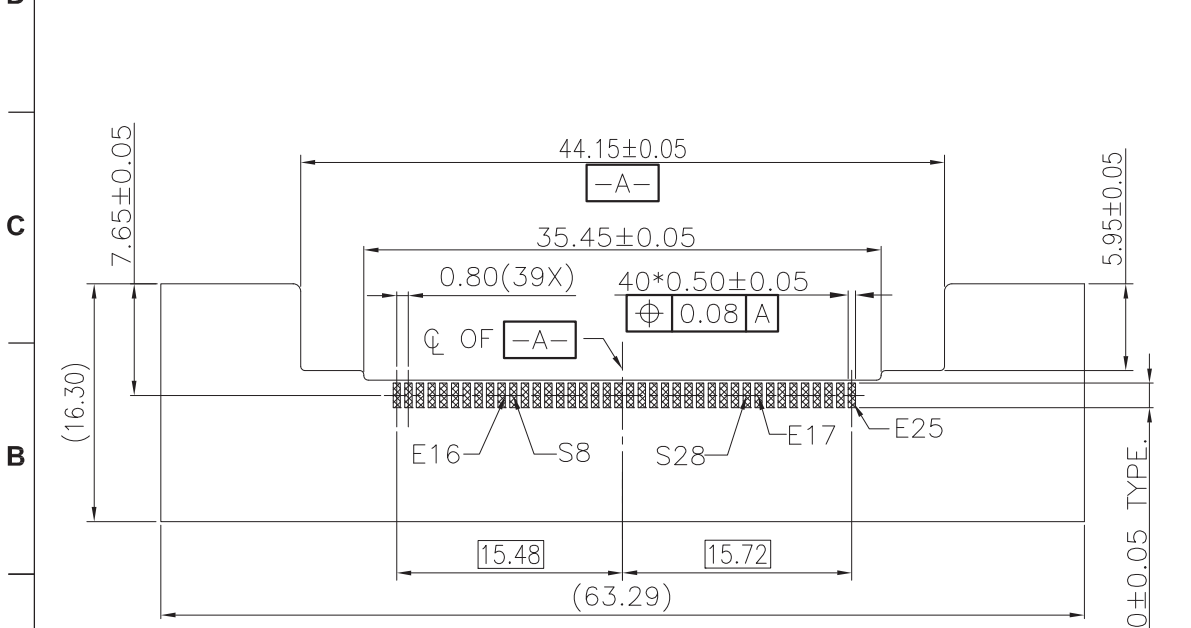
- CUSTOMER CODE
- PACKAGE TYPE
- SPEC. SERIAL NUMBER
- HF COMPLIANT
- PRODUCT SERIAL NUMBER
- SATA CONNECTOR
- FINISHED PRODUCT

GENERAL TOLERANCES UNLESS SPECIFIED		PART NO. SEE TABLE	LOTES			
X± 0.35	X°± 3°					APPROVED BY Jack_Fan
.XX± 0.25	.X°± 2°		CHECKED BY Kelven_Yao	DWG NO. GAP-ASAT0015		
.XXX± 0.15	.xx°± 1°	DRAWN BY Xiao_Feng		SHEET 2 / 5	SCALE 2:1	REV 1
SIZE A4	UNITS mm[inch]					

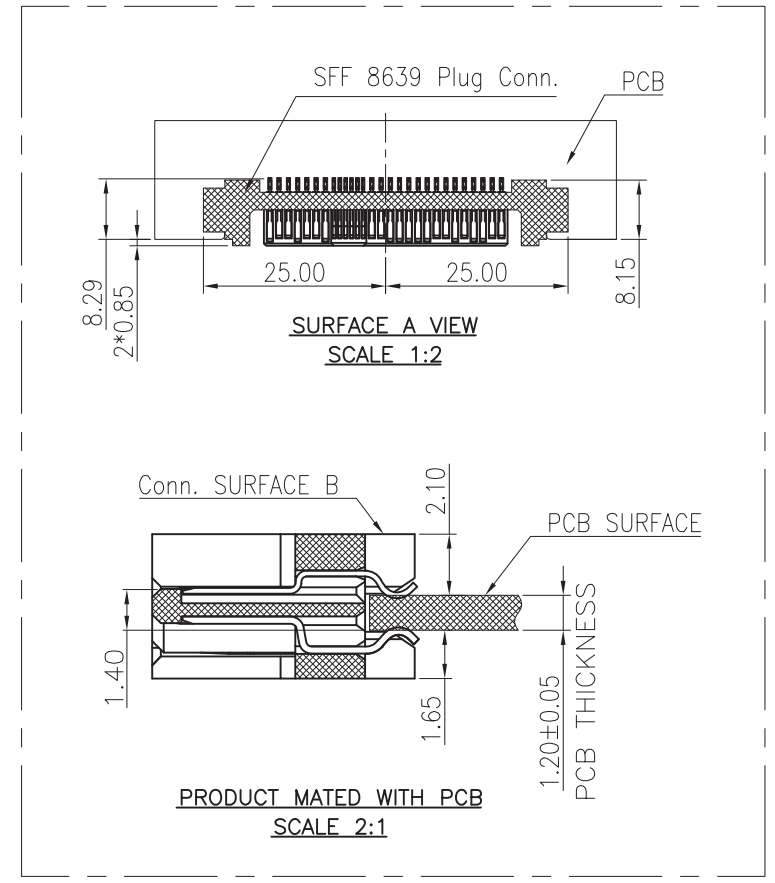
REV.	ECN NO./DESCRIPTION	DATE
1	N150034	01/09'15



RECOMMENDED PCB LAYOUT(SURFACE A VIEW)
(THICKNESS:1.20mm;DEFAULT TOLERANCE:±0.05)



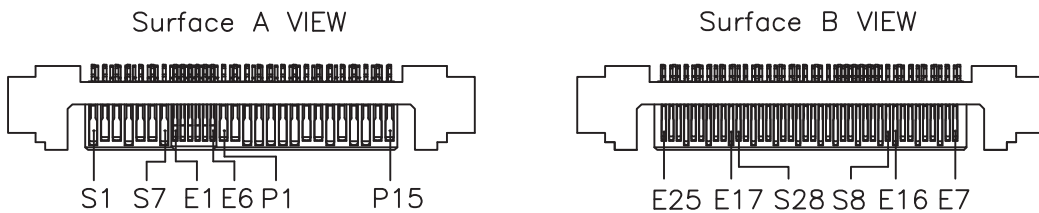
RECOMMENDED PCB LAYOUT(SURFACE B VIEW)
(THICKNESS:1.20mm;DEFAULT TOLERANCE:±0.05)



GENERAL TOLERANCES UNLESS SPECIFIED		PART NO.	LOTES		
X± 0.35	X°± 3°	SEE TABLE	TITLE		
XX± 0.25	X°± 2°	APPROVED BY	SFF-8639 Plug Conn.		
.XXX± 0.15	.XX°± 1°	Jack_Fan	DWG NO.		
CUSTOMER DRAWING		CHECKED BY	GAP-ASAT0015		
SIZE	UNITS	DRAWN BY	SHEET	SCALE	REV
A4	mm[inch]	Xiao_Feng	3 / 5	2:1	1

1	2		3	4		5	6		7	8																																																																																																																																																																																																																				
								REV.	ECN NO./DESCRIPTION	DATE																																																																																																																																																																																																																				
								1	N150034	01/09'15																																																																																																																																																																																																																				
<table border="1"> <thead> <tr> <th>PIN NO.</th> <th>TYPE</th> <th>DESCRIPTION</th> </tr> </thead> <tbody> <tr><td>S1</td><td>GROUND</td><td>GROUND</td></tr> <tr><td>S2</td><td>DIFF-PAIR</td><td>SAS/SATA 0 Tx+</td></tr> <tr><td>S3</td><td>DIFF-PAIR</td><td>SAS/SATA 0 Tx-</td></tr> <tr><td>S4</td><td>GROUND</td><td>GROUND</td></tr> <tr><td>S5</td><td>DIFF-PAIR</td><td>SAS/SATA 0 Rx-</td></tr> <tr><td>S6</td><td>DIFF-PAIR</td><td>SAS/SATA 0 Rx+</td></tr> <tr><td>S7</td><td>GROUND</td><td>GROUND</td></tr> <tr><td>S8</td><td>GROUND</td><td>GROUND</td></tr> <tr><td>S9</td><td>DIFF-PAIR</td><td>SAS 1 Tx+</td></tr> <tr><td>S10</td><td>DIFF-PAIR</td><td>SAS 1 Tx-</td></tr> <tr><td>S11</td><td>GROUND</td><td>GROUND</td></tr> <tr><td>S12</td><td>DIFF-PAIR</td><td>SAS 1 Rx-</td></tr> <tr><td>S13</td><td>DIFF-PAIR</td><td>SAS 1 Rx+</td></tr> <tr><td>S14</td><td>GROUND</td><td>GROUND</td></tr> <tr><td>S15</td><td>RESERVED</td><td>RESERVED</td></tr> <tr><td>S16</td><td>GROUND</td><td>GROUND</td></tr> <tr><td>S17</td><td>DIFF-PAIR</td><td>PCIe1/SAS 2 Tx+</td></tr> <tr><td>S18</td><td>DIFF-PAIR</td><td>PCIe1/SAS 2 Tx-</td></tr> <tr><td>S19</td><td>GROUND</td><td>GROUND</td></tr> <tr><td>S20</td><td>DIFF-PAIR</td><td>PCIe1/SAS 2 Rx-</td></tr> <tr><td>S21</td><td>DIFF-PAIR</td><td>PCIe1/SAS 2 Rx+</td></tr> <tr><td>S22</td><td>GROUND</td><td>GROUND</td></tr> <tr><td>S23</td><td>DIFF-PAIR</td><td>PCIe2/SAS 3 Tx+</td></tr> <tr><td>S24</td><td>DIFF-PAIR</td><td>PCIe2/SAS 3 Tx-</td></tr> <tr><td>S25</td><td>GROUND</td><td>GROUND</td></tr> <tr><td>S26</td><td>DIFF-PAIR</td><td>PCIe2/SAS 3 Rx-</td></tr> <tr><td>S27</td><td>DIFF-PAIR</td><td>PCIe2/SAS 3 Rx+</td></tr> <tr><td>S28</td><td>GROUND</td><td>GROUND</td></tr> </tbody> </table>			PIN NO.	TYPE	DESCRIPTION	S1	GROUND	GROUND	S2	DIFF-PAIR	SAS/SATA 0 Tx+	S3	DIFF-PAIR	SAS/SATA 0 Tx-	S4	GROUND	GROUND	S5	DIFF-PAIR	SAS/SATA 0 Rx-	S6	DIFF-PAIR	SAS/SATA 0 Rx+	S7	GROUND	GROUND	S8	GROUND	GROUND	S9	DIFF-PAIR	SAS 1 Tx+	S10	DIFF-PAIR	SAS 1 Tx-	S11	GROUND	GROUND	S12	DIFF-PAIR	SAS 1 Rx-	S13	DIFF-PAIR	SAS 1 Rx+	S14	GROUND	GROUND	S15	RESERVED	RESERVED	S16	GROUND	GROUND	S17	DIFF-PAIR	PCIe1/SAS 2 Tx+	S18	DIFF-PAIR	PCIe1/SAS 2 Tx-	S19	GROUND	GROUND	S20	DIFF-PAIR	PCIe1/SAS 2 Rx-	S21	DIFF-PAIR	PCIe1/SAS 2 Rx+	S22	GROUND	GROUND	S23	DIFF-PAIR	PCIe2/SAS 3 Tx+	S24	DIFF-PAIR	PCIe2/SAS 3 Tx-	S25	GROUND	GROUND	S26	DIFF-PAIR	PCIe2/SAS 3 Rx-	S27	DIFF-PAIR	PCIe2/SAS 3 Rx+	S28	GROUND	GROUND	<table border="1"> <thead> <tr> <th>PIN NO.</th> <th>TYPE</th> <th>DESCRIPTION</th> </tr> </thead> <tbody> <tr><td>E1</td><td>DIFF-PAIR</td><td>PCIe REFERENCE CLOCK+(PORT B)</td></tr> <tr><td>E2</td><td>DIFF-PAIR</td><td>PCIe REFERENCE CLOCK-(PORT B)</td></tr> <tr><td>E3</td><td>POWER</td><td>3.3V FOR SM BUS</td></tr> <tr><td>E4</td><td>OUTPUT</td><td>PCIE RESET(PORT B)</td></tr> <tr><td>E5</td><td>OUTPUT</td><td>PCIE RESET(PORT A)</td></tr> <tr><td>E6</td><td>RESERVED</td><td>RESERVED</td></tr> <tr><td>E7</td><td>DIFF-PAIR</td><td>PCIe REFERENCE CLOCK+(PORT A)</td></tr> <tr><td>E8</td><td>DIFF-PAIR</td><td>PCIe REFERENCE CLOCK-(PORT A)</td></tr> <tr><td>E9</td><td>GROUND</td><td>GROUND</td></tr> <tr><td>E10</td><td>DIFF-PAIR</td><td>PCIe 0 Tx+</td></tr> <tr><td>E11</td><td>DIFF-PAIR</td><td>PCIe 0 Tx-</td></tr> <tr><td>E12</td><td>GROUND</td><td>GROUND</td></tr> <tr><td>E13</td><td>DIFF-PAIR</td><td>PCIe 0 Rx-</td></tr> <tr><td>E14</td><td>DIFF-PAIR</td><td>PCIe 0 Rx+</td></tr> <tr><td>E15</td><td>GROUND</td><td>GROUND</td></tr> <tr><td>E16</td><td>RESERVED</td><td>RESERVED</td></tr> <tr><td>E17</td><td>DIFF-PAIR</td><td>PCIe 3 Tx+</td></tr> <tr><td>E18</td><td>DIFF-PAIR</td><td>PCIe 3 Tx-</td></tr> <tr><td>E19</td><td>GROUND</td><td>GROUND</td></tr> <tr><td>E20</td><td>DIFF-PAIR</td><td>PCIe 3 Rx-</td></tr> <tr><td>E21</td><td>DIFF-PAIR</td><td>PCIe 3 Rx+</td></tr> <tr><td>E22</td><td>GROUND</td><td>GROUND</td></tr> <tr><td>E23</td><td>Bi-Dir</td><td>SM BUS CLOCK</td></tr> <tr><td>E24</td><td>Bi-Dir</td><td>SM BUS DATA</td></tr> <tr><td>E25</td><td>OUTPUT</td><td>PCIe DUAL PORT ENABLE</td></tr> </tbody> </table>			PIN NO.	TYPE	DESCRIPTION	E1	DIFF-PAIR	PCIe REFERENCE CLOCK+(PORT B)	E2	DIFF-PAIR	PCIe REFERENCE CLOCK-(PORT B)	E3	POWER	3.3V FOR SM BUS	E4	OUTPUT	PCIE RESET(PORT B)	E5	OUTPUT	PCIE RESET(PORT A)	E6	RESERVED	RESERVED	E7	DIFF-PAIR	PCIe REFERENCE CLOCK+(PORT A)	E8	DIFF-PAIR	PCIe REFERENCE CLOCK-(PORT A)	E9	GROUND	GROUND	E10	DIFF-PAIR	PCIe 0 Tx+	E11	DIFF-PAIR	PCIe 0 Tx-	E12	GROUND	GROUND	E13	DIFF-PAIR	PCIe 0 Rx-	E14	DIFF-PAIR	PCIe 0 Rx+	E15	GROUND	GROUND	E16	RESERVED	RESERVED	E17	DIFF-PAIR	PCIe 3 Tx+	E18	DIFF-PAIR	PCIe 3 Tx-	E19	GROUND	GROUND	E20	DIFF-PAIR	PCIe 3 Rx-	E21	DIFF-PAIR	PCIe 3 Rx+	E22	GROUND	GROUND	E23	Bi-Dir	SM BUS CLOCK	E24	Bi-Dir	SM BUS DATA	E25	OUTPUT	PCIe DUAL PORT ENABLE	<table border="1"> <thead> <tr> <th>PIN NO.</th> <th>TYPE</th> <th>DESCRIPTION</th> </tr> </thead> <tbody> <tr><td>P1</td><td>INPUT</td><td>RESERVED(WAKE#)</td></tr> <tr><td>P2</td><td>Bi-Dir</td><td>DEVICE RESET</td></tr> <tr><td>P3</td><td>OUTPUT</td><td>DEVICE SLEEP</td></tr> <tr><td>P4</td><td>INPUT</td><td>INTERFACE TYPE DETECT</td></tr> <tr><td>P5</td><td>GROUND</td><td>GROUND</td></tr> <tr><td>P6</td><td>GROUND</td><td>GROUND</td></tr> <tr><td>P7</td><td>POWER</td><td>+5V PRECHARGE</td></tr> <tr><td>P8</td><td>POWER</td><td>+5V</td></tr> <tr><td>P9</td><td>POWER</td><td>+5V</td></tr> <tr><td>P10</td><td>INPUT</td><td>DEVICE PRESENT</td></tr> <tr><td>P11</td><td>Bi-Dir</td><td>ACTIVITY/SPINUP</td></tr> <tr><td>P12</td><td>GROUND</td><td>HOST PLUG GROUND</td></tr> <tr><td>P13</td><td>POWER</td><td>+12V PRECHARGE</td></tr> <tr><td>P14</td><td>POWER</td><td>+12V</td></tr> <tr><td>P15</td><td>POWER</td><td>+12V</td></tr> </tbody> </table>				PIN NO.	TYPE	DESCRIPTION	P1	INPUT	RESERVED(WAKE#)	P2	Bi-Dir	DEVICE RESET	P3	OUTPUT	DEVICE SLEEP	P4	INPUT	INTERFACE TYPE DETECT	P5	GROUND	GROUND	P6	GROUND	GROUND	P7	POWER	+5V PRECHARGE	P8	POWER	+5V	P9	POWER	+5V	P10	INPUT	DEVICE PRESENT	P11	Bi-Dir	ACTIVITY/SPINUP	P12	GROUND	HOST PLUG GROUND	P13	POWER	+12V PRECHARGE	P14	POWER	+12V	P15	POWER	+12V
PIN NO.	TYPE	DESCRIPTION																																																																																																																																																																																																																												
S1	GROUND	GROUND																																																																																																																																																																																																																												
S2	DIFF-PAIR	SAS/SATA 0 Tx+																																																																																																																																																																																																																												
S3	DIFF-PAIR	SAS/SATA 0 Tx-																																																																																																																																																																																																																												
S4	GROUND	GROUND																																																																																																																																																																																																																												
S5	DIFF-PAIR	SAS/SATA 0 Rx-																																																																																																																																																																																																																												
S6	DIFF-PAIR	SAS/SATA 0 Rx+																																																																																																																																																																																																																												
S7	GROUND	GROUND																																																																																																																																																																																																																												
S8	GROUND	GROUND																																																																																																																																																																																																																												
S9	DIFF-PAIR	SAS 1 Tx+																																																																																																																																																																																																																												
S10	DIFF-PAIR	SAS 1 Tx-																																																																																																																																																																																																																												
S11	GROUND	GROUND																																																																																																																																																																																																																												
S12	DIFF-PAIR	SAS 1 Rx-																																																																																																																																																																																																																												
S13	DIFF-PAIR	SAS 1 Rx+																																																																																																																																																																																																																												
S14	GROUND	GROUND																																																																																																																																																																																																																												
S15	RESERVED	RESERVED																																																																																																																																																																																																																												
S16	GROUND	GROUND																																																																																																																																																																																																																												
S17	DIFF-PAIR	PCIe1/SAS 2 Tx+																																																																																																																																																																																																																												
S18	DIFF-PAIR	PCIe1/SAS 2 Tx-																																																																																																																																																																																																																												
S19	GROUND	GROUND																																																																																																																																																																																																																												
S20	DIFF-PAIR	PCIe1/SAS 2 Rx-																																																																																																																																																																																																																												
S21	DIFF-PAIR	PCIe1/SAS 2 Rx+																																																																																																																																																																																																																												
S22	GROUND	GROUND																																																																																																																																																																																																																												
S23	DIFF-PAIR	PCIe2/SAS 3 Tx+																																																																																																																																																																																																																												
S24	DIFF-PAIR	PCIe2/SAS 3 Tx-																																																																																																																																																																																																																												
S25	GROUND	GROUND																																																																																																																																																																																																																												
S26	DIFF-PAIR	PCIe2/SAS 3 Rx-																																																																																																																																																																																																																												
S27	DIFF-PAIR	PCIe2/SAS 3 Rx+																																																																																																																																																																																																																												
S28	GROUND	GROUND																																																																																																																																																																																																																												
PIN NO.	TYPE	DESCRIPTION																																																																																																																																																																																																																												
E1	DIFF-PAIR	PCIe REFERENCE CLOCK+(PORT B)																																																																																																																																																																																																																												
E2	DIFF-PAIR	PCIe REFERENCE CLOCK-(PORT B)																																																																																																																																																																																																																												
E3	POWER	3.3V FOR SM BUS																																																																																																																																																																																																																												
E4	OUTPUT	PCIE RESET(PORT B)																																																																																																																																																																																																																												
E5	OUTPUT	PCIE RESET(PORT A)																																																																																																																																																																																																																												
E6	RESERVED	RESERVED																																																																																																																																																																																																																												
E7	DIFF-PAIR	PCIe REFERENCE CLOCK+(PORT A)																																																																																																																																																																																																																												
E8	DIFF-PAIR	PCIe REFERENCE CLOCK-(PORT A)																																																																																																																																																																																																																												
E9	GROUND	GROUND																																																																																																																																																																																																																												
E10	DIFF-PAIR	PCIe 0 Tx+																																																																																																																																																																																																																												
E11	DIFF-PAIR	PCIe 0 Tx-																																																																																																																																																																																																																												
E12	GROUND	GROUND																																																																																																																																																																																																																												
E13	DIFF-PAIR	PCIe 0 Rx-																																																																																																																																																																																																																												
E14	DIFF-PAIR	PCIe 0 Rx+																																																																																																																																																																																																																												
E15	GROUND	GROUND																																																																																																																																																																																																																												
E16	RESERVED	RESERVED																																																																																																																																																																																																																												
E17	DIFF-PAIR	PCIe 3 Tx+																																																																																																																																																																																																																												
E18	DIFF-PAIR	PCIe 3 Tx-																																																																																																																																																																																																																												
E19	GROUND	GROUND																																																																																																																																																																																																																												
E20	DIFF-PAIR	PCIe 3 Rx-																																																																																																																																																																																																																												
E21	DIFF-PAIR	PCIe 3 Rx+																																																																																																																																																																																																																												
E22	GROUND	GROUND																																																																																																																																																																																																																												
E23	Bi-Dir	SM BUS CLOCK																																																																																																																																																																																																																												
E24	Bi-Dir	SM BUS DATA																																																																																																																																																																																																																												
E25	OUTPUT	PCIe DUAL PORT ENABLE																																																																																																																																																																																																																												
PIN NO.	TYPE	DESCRIPTION																																																																																																																																																																																																																												
P1	INPUT	RESERVED(WAKE#)																																																																																																																																																																																																																												
P2	Bi-Dir	DEVICE RESET																																																																																																																																																																																																																												
P3	OUTPUT	DEVICE SLEEP																																																																																																																																																																																																																												
P4	INPUT	INTERFACE TYPE DETECT																																																																																																																																																																																																																												
P5	GROUND	GROUND																																																																																																																																																																																																																												
P6	GROUND	GROUND																																																																																																																																																																																																																												
P7	POWER	+5V PRECHARGE																																																																																																																																																																																																																												
P8	POWER	+5V																																																																																																																																																																																																																												
P9	POWER	+5V																																																																																																																																																																																																																												
P10	INPUT	DEVICE PRESENT																																																																																																																																																																																																																												
P11	Bi-Dir	ACTIVITY/SPINUP																																																																																																																																																																																																																												
P12	GROUND	HOST PLUG GROUND																																																																																																																																																																																																																												
P13	POWER	+12V PRECHARGE																																																																																																																																																																																																																												
P14	POWER	+12V																																																																																																																																																																																																																												
P15	POWER	+12V																																																																																																																																																																																																																												

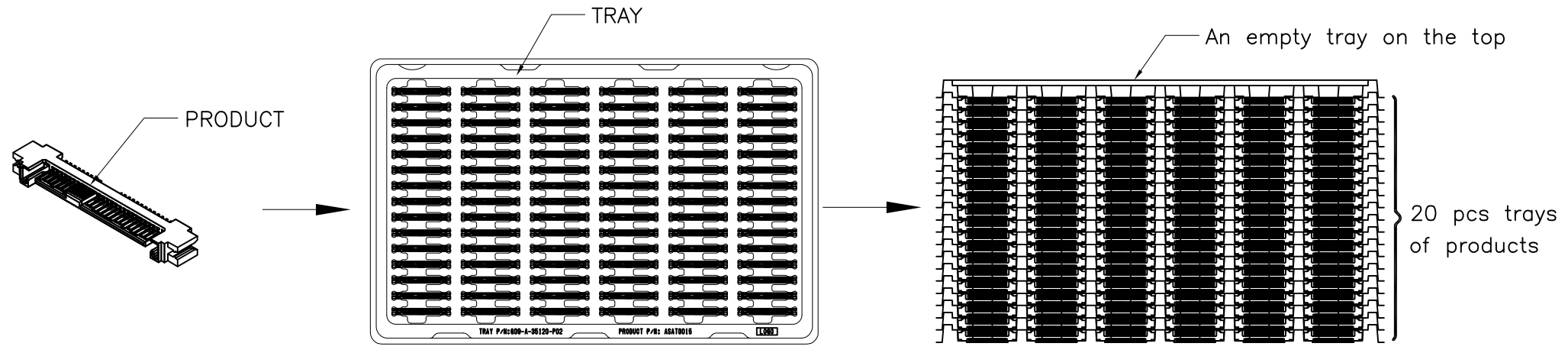
Note: Signal name/type is given with respect to the Host Receptacle.



GENERAL TOLERANCES UNLESS SPECIFIED		PART NO. SEE TABLE	LOTES		
X± 0.35	X°± 3°				
.XX± 0.25	.X°± 2°		CHECKED BY Kelven_Yao	DWG NO. GAP-ASAT0015	
.XXX± 0.15	.XX°± 1°	CUSTOMER DRAWING	DRAWN BY Xiao_Feng	SIZE A4	UNITS mm[inch]
				SHEET 4 / 5	SCALE 2:1
				REV 1	

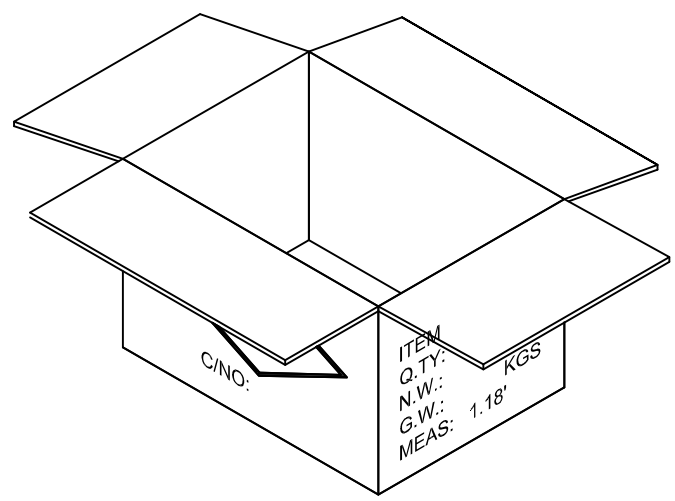
TRAY PACK

REV.	ECN NO./DESCRIPTION	DATE
1	N150034	01/09/15

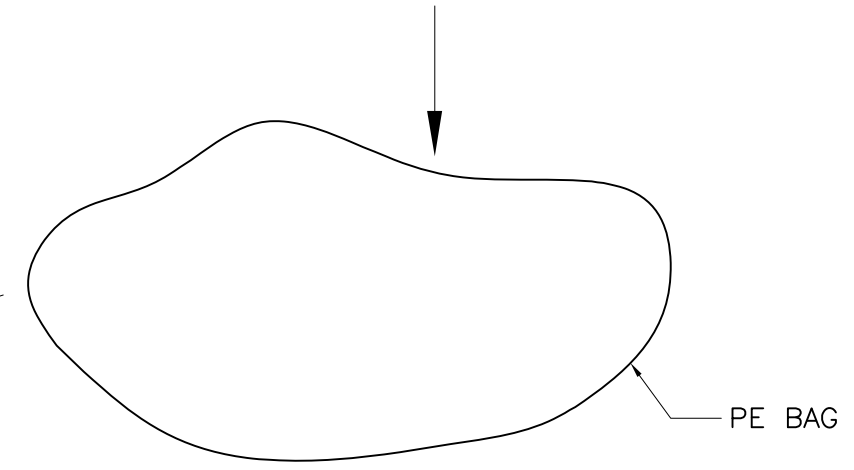


90 pcs products per tray

20 pcs trays of products



1800 pcs of products per carton



GENERAL TOLERANCES UNLESS SPECIFIED		PART NO.		LOTES		
.X ± 0.35	X° ± 3°	SEE TABLE				
.XX ± 0.25	.X° ± 2°	APPROVED BY		SFF-8639 Plug Conn.		
.XXX ± 0.15	.XX° ± 1°	Jack_Fan		DWG NO.		
CUSTOMER DRAWING		CHECKED BY		GAP-ASAT0015		
SIZE		DRAWN BY		SHEET		
A4	mm[inch]	Xiao_Feng		5 / 5		
				SCALE		REV
				2:1		1

	1	2	3	4	5	6	7	8	
F									F
E									E
D									D
C									C
B									B
A									A
	1	2	3	4	5	6	7	8	

TABLE

1	ASAT0015-P001C	LCP+40%GF_BLACK;C2680_Au15u'';HF
NO.	PART NO.	DESCRIPTION

X-ON Electronics

Largest Supplier of Electrical and Electronic Components

Click to view similar products for [Standard Card Edge Connectors](#) category:

Click to view products by [LOTES](#) manufacturer:

Other Similar products are found below :

[CR7E-30DB-3.96E\(72\)](#) [6565204-6](#) [1437274-4](#) [EBT15622B2X](#) [1-582587-1](#) [284-0102-12100](#) [286-0052-12101A](#) [306022901000000](#) [307-012-502-202](#) [307-056-520-300](#) [A6D22DS29C2](#) [1926088-2](#) [287-0032-12101](#) [345-060-559-303](#) [392-008-559-201](#) [534671-1](#) [341-240-317](#) [345-044-500-300](#) [346-240-318](#) [387-012-523-300](#) [395-100-524-300](#) [09-07-2032](#) [10035388-802LF](#) [10115859-011LF](#) [10122859-009LF](#) [101269333204245CLF](#) [530555-1](#) [66925-516LF](#) [5145409-2](#) [73726-0005](#) [66308-1](#) [5036A30](#) [PEC-07-02-T-S-A](#) [346-014-520-801](#) [KSLX-62-BR](#) [307-048-502-202](#) [CE100F26-7-C](#) [CE100F28-3-D](#) [CE100F28-4-D](#) [CE156F18-9-C](#) [CE156F22-5-D](#) [CE156F22-9-C](#) [CT100F22-2-D](#) [CT100F22-3-D](#) [CT100F24-2-D](#) [CT100F24-3-D](#) [CT100F24-6-C](#) [CT156F22-4-D](#) [MLSS100-12-C](#) [MLSS100-16-C](#)