

REV.	ECN NO./DESCRIPTION	DATE
A	R160261	12/02'15
B	R160261	06/21'16

- NOTES:
- MATERIAL SPECIFICATION:
 - 1-HOUSING: (SEE TABLE), UL94V-0.
 - 2-SPACER: (SEE TABLE), UL94V-0.
 - 3-CONTACTS: (SEE TABLE).
 - 4-FRONT SHELL: STAINLESS STEEL(SUS301).
 - 5-MIDDLE SHELL: STAINLESS STEEL(SUS301).
 - 6-BACK SHELL: STAINLESS STEEL(SUS301).
 - PLATING SPECIFICATION:
 - 1-CONTACTS:
 - Ni 50u" MIN. UNDER PLATED. Au(SEE TABLE) PLATED ON THE FUNCTIONAL AREA OF CONTACT. AND MATTE TIN 100u" PLATED ON THE SOLDER TAIL.
 - 2-FRONT SHELL:
 - Ni 10u" MIN. UNDER PLATED ON SOLDER AREA. 60u" MIN. MATTE TIN PLATED ON SOLDER AREA.
 - 3-MIDDLE & BACK SHELL: CLEANING.
 - MECHANICAL PERFORMANCE,
 - 3-1.INSERTION FORCE: 3.5kgf MAX.
 - 3-2.EXTRACTION FORCE: 1.0-3.5kgf.
 - 3-3.DURABILITY: 1500 CYCLES.
 - ELECTRICAL PERFORMANCE,
 - 4-1.INSULATION RESISTANCE: 100MΩ MIN.
 - 4-2.DIELECTRIC WITHSTAND VOLTAGE: AC 100V FOR 1 MINUTE.
 - RoHS COMPLIANT.
 - WAVE SOLDER:

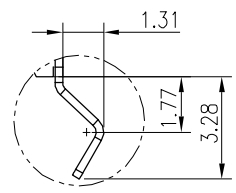
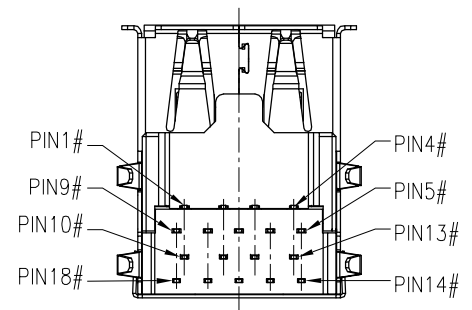
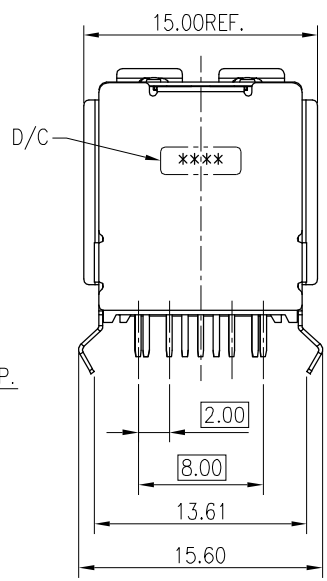
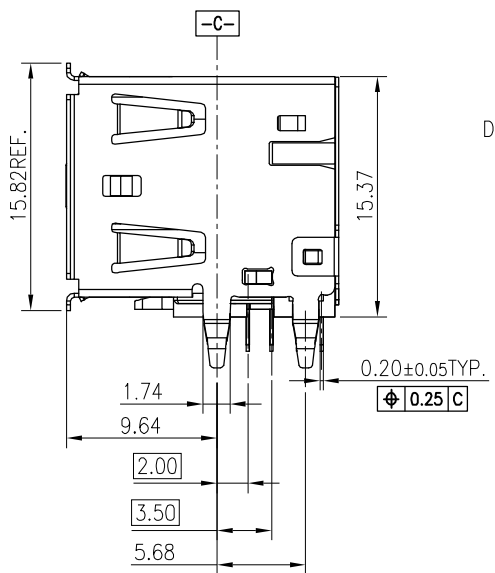
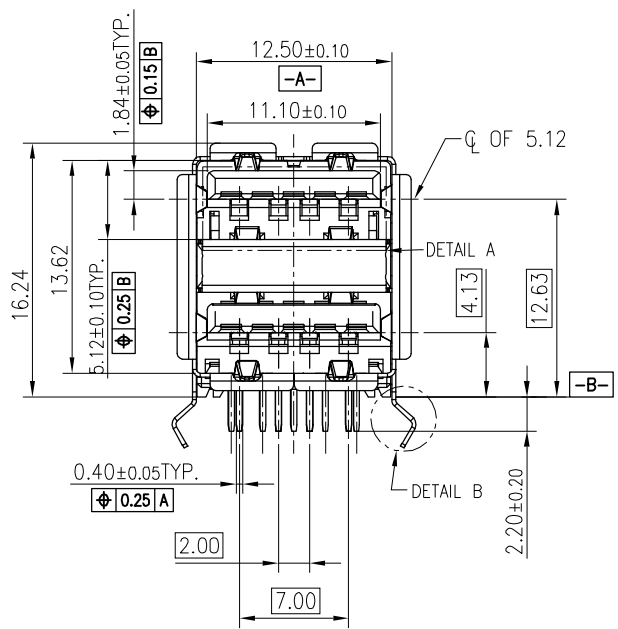
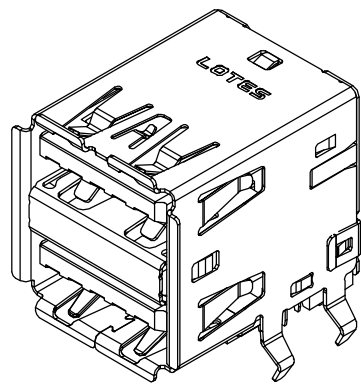
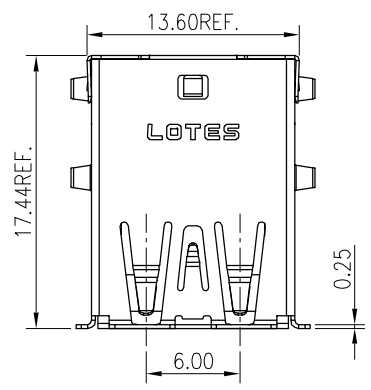
THE CONNECTOR SHALL BE MOUNTED ON THE PCB, THE TEMPERATURE OF THE SOLDER SHALL BE 260±5°C AND IMMERSION DURATION: 3~5 SECONDS.
 - DATE CODE: XXXX

WEEK
YEAR
 - PRODUCT NUMBER NOTE:

A USB 0289- * * * * *

CUSTOMER CODE
PACKAGE TYPE
TYPE SERIAL NUMBER
K: RoHS COMPLIANT
P: HF COMPLIANT
PRODUCT SERIAL NUMBER
PRODUCT TYPE
FINISHED PRODUCT

F
E
D
C
B
A

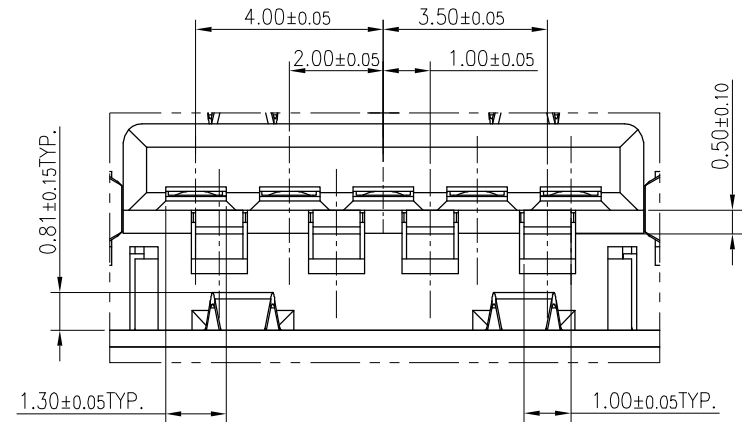
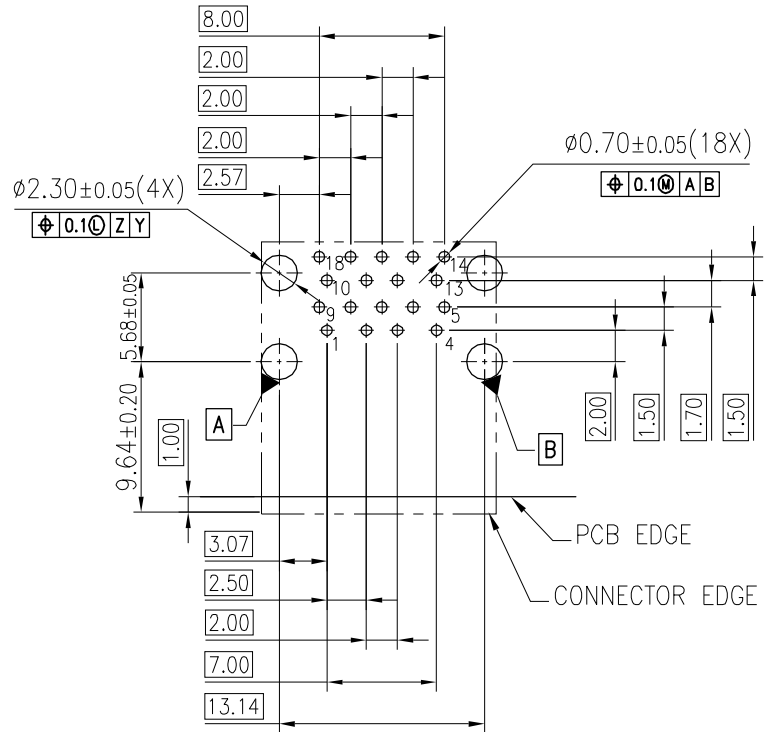


DETAIL: B
SCALE: 2:1

GENERAL TOLERANCES UNLESS SPECIFIED		PART NO. SEE TABLE	LOTES
X± 0.35	X°± 3°		
XX± 0.25	X°± 2°		
XXX± 0.15	XX°± 1°	APPROVED BY Liao jie	TITLE DOUBLE USB3.0 A TYPE FEMALE CONNECTOR
CUSTOMER DRAWING		CHECKED BY Liu yong	DWG NO. GAP-AUSB0289
SIZE A4	UNITS mm[inch]	DRAWN BY Ji wenlin	SHEET 1 / 3
			SCALE 1:1
			REV B

1 2 3 4 5 6 7 8

REV.	ECN NO./DESCRIPTION	DATE
A	R150761	12/02'15
B	R160261	06/21'16



DETAIL: A
SCALE 3:1

RECOMMENDED PCB LAYOUT(TOP VIEW)
 RECOMMENDED PCB LAYOUT THICKNESS 1.60mm
 THE DEFAULT TOLERANCE:±0.05

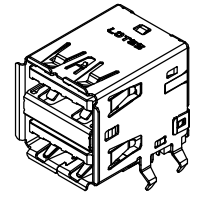
TABLE2:

PIN NUMBER	SIGNAL NAME	PIN NUMBER	SIGNAL NAME
1/10	VBUS	5/14	StdA-SSR-
2/11	D-	6/15	StdA-SSR+
3/12	D+	7/16	GND-DRAIN
4/13	GND	8/17	StdA-SST-
SHELL	SHIELD	9/18	StdA-SST+

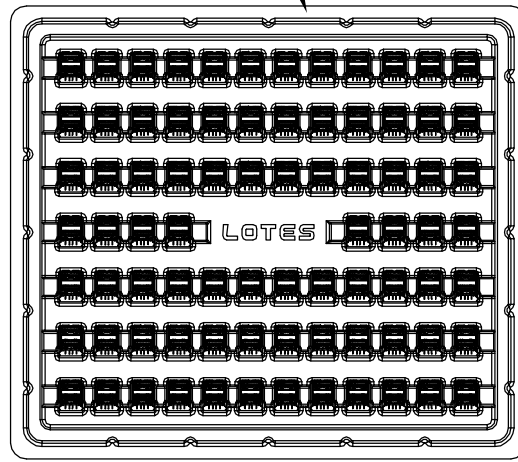
GENERAL TOLERANCES UNLESS SPECIFIED		PART NO.	LOTES						
X± 0.35	X°± 3°	SEE TABLE							
XX± 0.25	X°± 2°	APPROVED BY							
XXX± 0.15	XX°± 1°	Liao jie	TITLE DOUBLE USB3.0 A TYPE FEMALE CONNECTOR						
CUSTOMER DRAWING		CHECKED BY	DWG NO.						
		Liu yong	GAP-AUSB0289						
SIZE	UNITS	DRAWN BY	<table border="1"> <thead> <tr> <th>SHEET</th> <th>SCALE</th> <th>REV</th> </tr> </thead> <tbody> <tr> <td>2 / 3</td> <td>1:1</td> <td>B</td> </tr> </tbody> </table>	SHEET	SCALE	REV	2 / 3	1:1	B
SHEET	SCALE	REV							
2 / 3	1:1	B							
A4	mm[inch]	Ji wenlin							

TRAY_PACK

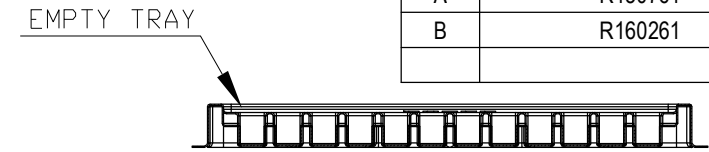
REV.	ECN NO./DESCRIPTION	DATE
A	R150761	12/02'15
B	R160261	06/21'16



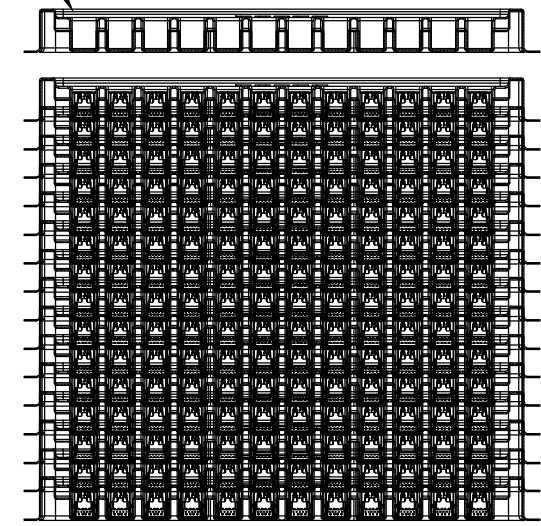
PRODUCT



80 PCS PRODUCTS
IN EACH TRAY.

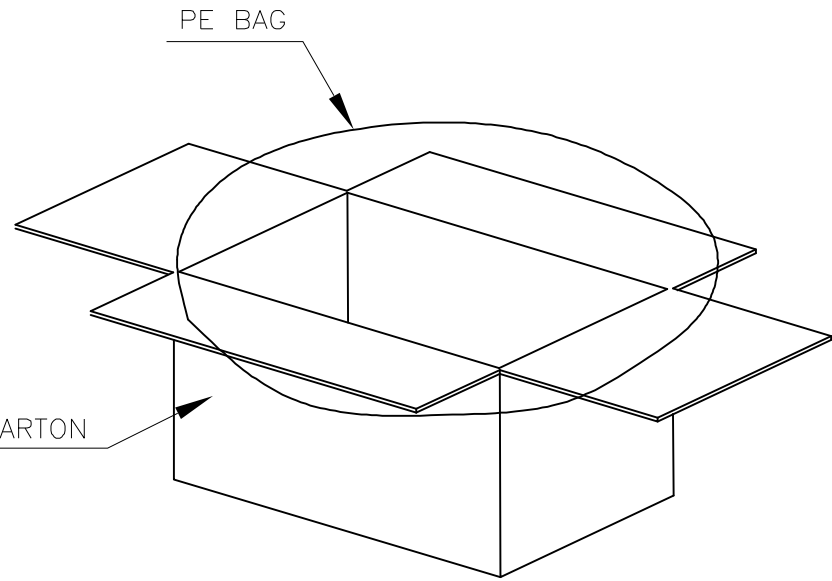


EMPTY TRAY



15
PCS
TRAYS

15 PCS TRAYS FULL OF
THE PRODUCTS AND BE
COVERED WITH 1 PC
EMPTY TRAY ON THE TOP.



CARTON

PE BAG

1200 PCS PRODUCTS IN THE CARTON.

DESCRIPTION	P/N	SPECIFICATION	QT'Y
PRODUCT	SEE TABLE	TRAY PACKING	1200PCS
TRAY	G09-A-30070-K03	330*290*27.6; T=0.70mm	16PCS
PE BAG	G09-6-50002-P03	520*320*460; T=0.05mm	1PCS
CARTON	G09-1-30002-P03	342*300*295; K=K	1PCS

GENERAL TOLERANCES UNLESS SPECIFIED		PART NO.	LOTES		
X± 0.35	X°± 3°	SEE TABLE			
XX± 0.25	X°± 2°	APPROVED BY	TITLE DOUBLE USB3.0 A TYPE FEMALE CONNECTOR		
XXX± 0.15	XX°± 1°	Liao jie			
CUSTOMER DRAWING		CHECKED BY	DWG NO. GAP-AUSB0289		
		Liu yong			
SIZE	UNITS	DRAWN BY	SHEET SCALE REV 3 / 3 2:1 B		
A4	mm[inch]	Ji wenlin			

TABLE 1:

NO.	PART NO.	DESCRIPTION
1.	AUSB0289-K001C	PA66+30%G.F UL94V-0_BLUE 300C; BRASS C2680_Au1u"; RoHS
2.	AUSB0289-K003C	PA66+30%G.F UL94V-0_BLUE 300C; BRASS C2680_2u"Au+15u"Pd-Ni; RoHS
3.	AUSB0289-K005C	PA66+30%G.F UL94V-0_BLUE 300C; BRASS C2680_2u"Au+30u"Pd-Ni; RoHS
4.	AUSB0289-K007C	PA66+30%G.F UL94V-0_BLUE 300C ;BRASS C2680_Au30u"; RoHS
5.	AUSB0289-K009C	PA66+30%G.F UL94V-0_BLACK; BRASS C2680_2u"Au+30u"Pd-Ni; RoHS
6.	AUSB0289-K010C	PA66+30%G.F UL94V-0_BLUE 300C; BRASS C2680_Au1u". NO BACK SHELL; RoHS
7.	AUSB0289-K012C	PA66+30%G.F UL94V-0_BLACK; BRASS C2680_Au1u"; RoHS
8.	AUSB0289-K013C	HOUSING & SPACER: PA66+30%G.F UL94V-0_RED 185C; BRASS C2680_Au1u"; RoHS
9.	AUSB0289-K015C	HOUSING: PA66+30%G.F UL94V-0_RED 200C; SPACER: PA66+30%G.F UL94V-0_BLACK; BRASS C2680_2u"Au+30u"Pd-Ni; RoHS
10.	AUSB0289-K017C	PA66+30%G.F UL94V-0_BLACK; BRASS C2680_Au15u"; RoHS
11.	AUSB0289-K022C	HOUSING & SPACER: PA66+30%G.F UL94V-0_RED1795C; BRASS C2680_Au15u"; RoHS
12.	AUSB0289-K023C	HOUSING: PA66+30%G.F UL94V-0_GREEN802C; SPACER: PA66+30%G.F UL94V-0_BLACK; BRASS C2680_Au15u"; RoHS
13.	AUSB0289-P002C	PA9T+30%G.F UL94V-0_BLUE 300C; BRASS C2680_Au1u"; HF
14.	AUSB0289-P004C	PA9T+30%G.F UL94V-0_BLUE 300C; BRASS C2680_2u"Au+15u"Pd-Ni; HF
15.	AUSB0289-P006C	PA9T+30%G.F UL94V-0_BLUE 300C; BRASS C2680_2u"Au+30u"Pd-Ni; HF
16.	AUSB0289-P018C	PPA+30%G.F UL94V-0_BLACK; BRASS C2680_Au15u"; HF
17.	AUSB0289-P021C	PA9T+30%G.F UL94V-0_BLUE 300C; BRASS C2680_Au15u"; HF
18.	AUSB0289-P022C	HOUSING: PA66+30%G.F UL94V-0_RED1795C; SPACER: PA66+30%G.F UL94V-0_BLACK; BRASS C2680_Au15u"; HF
19.	AUSB0289-P024C	HOUSING: PA66+30%G.F UL94V-0_RED185C; SPACER: PA66+30%G.F UL94V-0_BLACK; BRASS C2680_2u"Au+30u"Pd-Ni; HF

X-ON Electronics

Largest Supplier of Electrical and Electronic Components

Click to view similar products for [USB Connectors](#) category:

Click to view products by [LOTES](#) manufacturer:

Other Similar products are found below :

[950](#) [A-USB B-TOP-C](#) [MUSBA511N5](#) [MUSBC111M5](#) [MUSBD11135](#) [17-200721](#) [217450-1](#) [KMBVX-TH-5S-B30](#) [896-30-004-00-000000](#)
[KUSBX-AS2N-W](#) [KUSBX-SMT2AP1S-W30](#) [935](#) [957](#) [30-498-6](#) [SK-60A-2](#) [1734082-1](#) [30-1574](#) [30-470](#) [30-489](#) [30-541](#) [30-572-3](#) [A-USB](#)
[A-2P-C](#) [MIKROE-1451](#) [USBFTV2PEM2G](#) [USBFTVSCCG](#) [4689-1](#) [1-1734084-2](#) [MUSBC11135](#) [USBF21ZNSCC](#) [USBBFTV6ZC](#)
[MUSBB151341](#) [10135326-001LF](#) [M9177/3-1](#) [TJ-105](#) [USB-A-S-F-B-VT](#) [4198](#) [690-024-633-031](#) [UB-20PMFP-LC7001](#) [USBFTVC6MRG](#)
[UA-20BMFA-SL8001](#) [17-200011](#) [USBFTVC7ZC](#) [UB-20AFMM-LL7A01](#) [USBFTVC2MN](#) [CAP-WCCMLPB1](#) [1310-1031-01](#) [2041386-1](#)
[2274475-3](#) [UB-20BMFA-SL8001](#) [UB-20PMFP-SC8003](#)