



Panel m. color
glcd mult.,
Ethernet
DMG8000
Three-phase +
neutral + earth

Product designation

Product type designation

Type

Auxiliary supply Us

Auxiliary rated supply voltage AC	VAC	100...240
Auxiliary rated supply voltage DC	VDC	110...250
Auxiliary operating voltage range		
AC	min VAC	90
	Max VAC	264
DC	min VDC	100
	Max VDC	300

Operational frequency

min	Hz	45
max	Hz	66

Power consumption

Max	VA	15
-----	----	----

Power dissipation Max

W	6
---	---

Measuring voltage inputs

Rated voltage (Ue)	phase-phase	VAC	600
	phase-neutral	VAC	347

Operating voltage range

phase-phase	VAC	40...830
phase-neutral	VAC	5...480

Voltage inputs operational frequency

min	Hz	45 and 360
max	Hz	66 and 440

Voltage inputs measurement method

True RMS
Single. Two.
Three-phase with
or without neutral.
Balanced three-
phase system.
Three-phase
ARON.

Connection method

Current inputs

Rated current (Ie)	A	1A/5A
Measurement range		0.004...6
Measurement method		TRMS

Overload capacity		+20% Ie by external CT with 5A secondary
Overload peak	A	120A for 0.5s

Accuracy

Measurement conditions (T +23°C ±1°C / Rel. Humidity 45 ±15% R.H.)

		Class 0.2 (IEC/EN 61557-12), V:50-480V~
VLN voltage		Class 0.2 (IEC/EN 61557-12), V:87-830V~
VLL voltage		Class 0.2 (IEC/EN 61557-12), In:5A~
current		Class 0.02 (IEC/EN 61557-12)
frequency		Class 0.5 (IEC/EN 61557-12)
active power		Class 1 (IEC/EN 61557-12)
reactive power		Class 0.5s (IEC/EN/BS 62053-22)
active energy		Class 1 (IEC/EN 62053-24)
reactive energy		Class 5 (IEC/EN 61557-12)
THD		Class 5 (IEC/EN 61557-12)
2nd 15th order harmonics		Class 5 (IEC/EN 61557-12)

Insulations

Rated insulation voltage Ui IEC/EN	V	600
Rated impulse withstand voltage Uimp	kV	9.6
Operating frequency withstand voltage	kV	5.4

Mechanical features

Housing type	Xantar RAL 7035		
Terminals type	Removable		
Conductor cross section	min	mm ²	0.2
	Max	mm ²	2.5
	min	AWG	24
	Max	AWG	12

Tightening torque (Max)	Nm	0.5
	lbin	4.5

Fixing	Flush-mounting		
Weight	g	420	

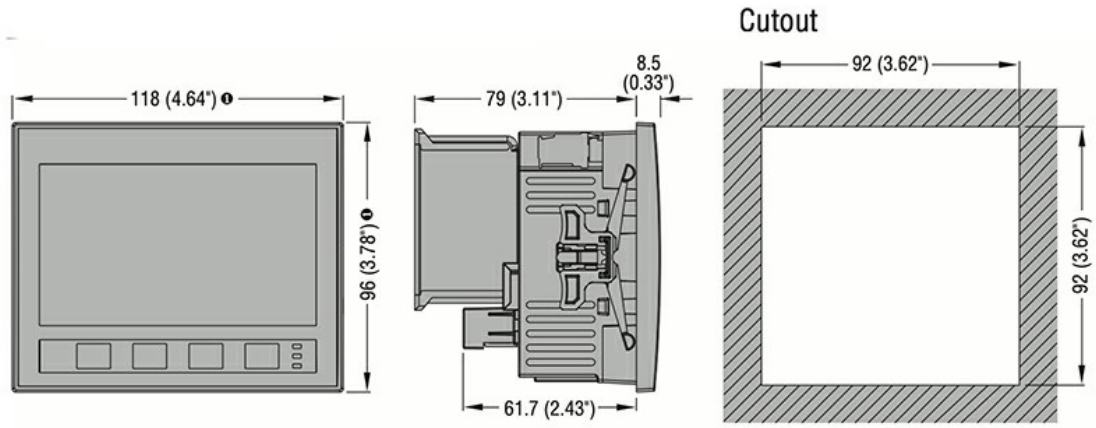
Ambient conditions

Temperature			
Operating temperature			
	min	°C	-20
	max	°C	+60
Storage temperature			

POWER ANALYZER WITH WIDESCREEN COLOUR LCD. AUXILIARY SUPPLY 100...240VAC.
EXPANDABLE WITH 3 EXP... MODULES, BUILT-IN ETHERNET PORT, DATA MEMORY FOR
LOGGING, COMPATIBLE WITH EASY BRANCH POWER MONITORING SYSTEM

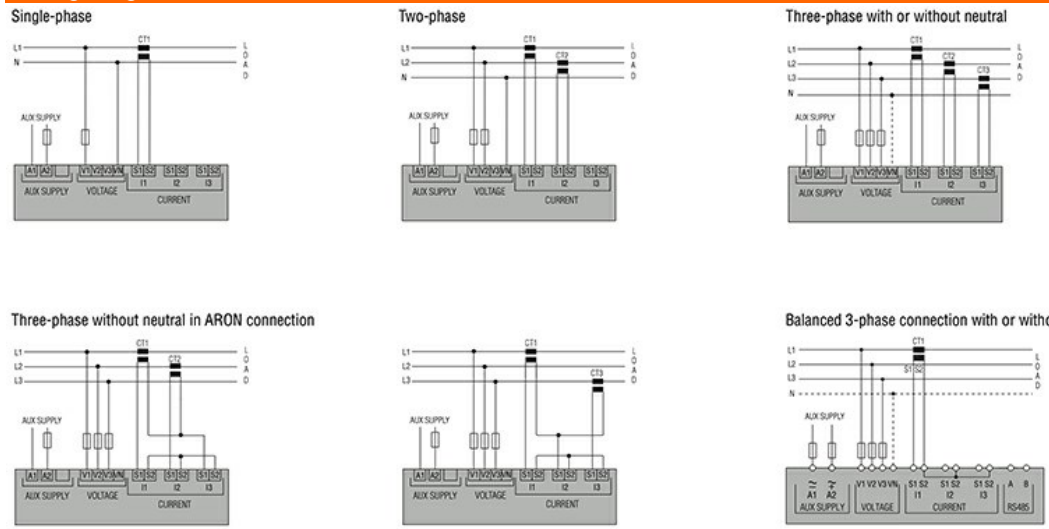
	min	°C	-30
	max	°C	+80
Relative humidity		%	<80
Maximum Pollution degree			2
Protection degree			IP65

Dimensions



① Dimensions with gasket: 122x100mm/4.80x3.94"

Wiring diagrams



CODE	AUX SUPPLY
DMG100-110-200-210-300	100...240VAC 110...250VDC
DMG6...	100...440VAC 110...250VDC
DMG7000-7500-8000-9000	100...240VAC 110...250VDC



Certifications and compliance

Compliance

IEC/EN/BS 61000-6-2
IEC/EN/BS 61000-6-4
IEC/EN/BS 61010-1

Certificates

CE
EAC
UKCA

ETIM classification

ETIM 8.0

EC002301 -
Multifunction
measuring
instrument

X-ON Electronics

Largest Supplier of Electrical and Electronic Components

Click to view similar products for [Lovato manufacturer](#):

Other Similar products are found below :

[11B4000024V203](#) [11BA135](#) [11BA167124V203](#) [11BA235](#) [11BG0031A024](#) [11BG0601A024](#) [11BG0601A048](#) [11BG0601A230](#)
[11BG0601D024](#) [11BG0610A024](#) [11BG0610A230](#) [11BG0610D024](#) [11BG0901A024](#) [11BG0901A230](#) [11BG0901D012](#) [11BG0901D024](#)
[11BG0910A024](#) [11BG0910A12060](#) [11BG0910A230](#) [11BG0910D012](#) [11BG0910D024](#) [11BG1201A024](#) [11BG1201A230](#) [11BG1201D012](#)
[11BG1201D024](#) [11BG1201D110](#) [11BG1210A024](#) [11BG1210A110](#) [11BG1210A230](#) [11BG1210D024](#) [11BGF0901A024](#) [11BGF0901D024](#)
[11BGF0910A230](#) [11BGF0910D024](#) [11BGP0901A024](#) [11BGP0901D024](#) [11BGP0910A024](#) [11BGP0910A230](#) [11BGP0910D024](#)
[11BGX1002](#) [11BGX1004](#) [11BGX1011](#) [11BGX1020](#) [11BGX1022](#) [11BGX1031](#) [11BGX1040](#) [11G372](#) [11G376](#) [11G381](#) [11G383](#)