



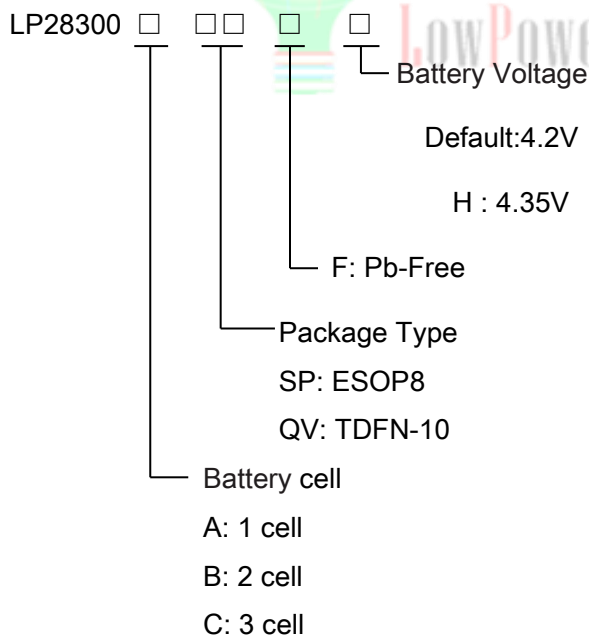
## 2A Synchronous Buck Li-ion Charger

### General Description

The LP28300 is a 2A Li-Ion battery charger. It utilizes a 500KHz synchronous buck converter topology to reduce power dissipation during charging. Low power dissipation, an internal MOSFET allow a physically small charger that can be embedded in a wide range of handheld applications. The LP28300 includes complete charge termination circuitry, automatic recharge.

Battery charge current, charge timeout and end-of-charge indication parameters are set with external components. Additional features include shorted cell detection; temperature qualified charging and overvoltage protection. The LP28300 is available in a low profile ESOP8/TDFN-10 3\*3mm and package.

### Order Information



### Features

- ◆ Input voltage range 4V~18V
- ◆ Dynamic input current allocation for maximum charging rate
- ◆ 2.0A Maximum Charge Current
- ◆ No External MOSFETs and Blocking Diode Required
- ◆ Efficiency up to 90%
- ◆ Constant-Current/Constant-Voltage Operation with Thermal Regulation to Maximize Charge Rate Without Risk of Overheating
- ◆ Optional Battery Temperature Monitoring Before and During Charge Automatic Sleep Mode for Low-Power
- ◆ Over Current Protection
- ◆ Consumption Available in ESOP8/TDFN-10
- ◆ RoHS Compliant and 100% Lead (Pb)-Free

### Applications

- ✧ Portable Media Players
- ✧ Cellular and Smart mobile phone
- ✧ PDA/DSC
- ✧ Handheld Battery-Powered Devices
- ✧ Handheld Computers
- ✧ Charging Docks and Cradles



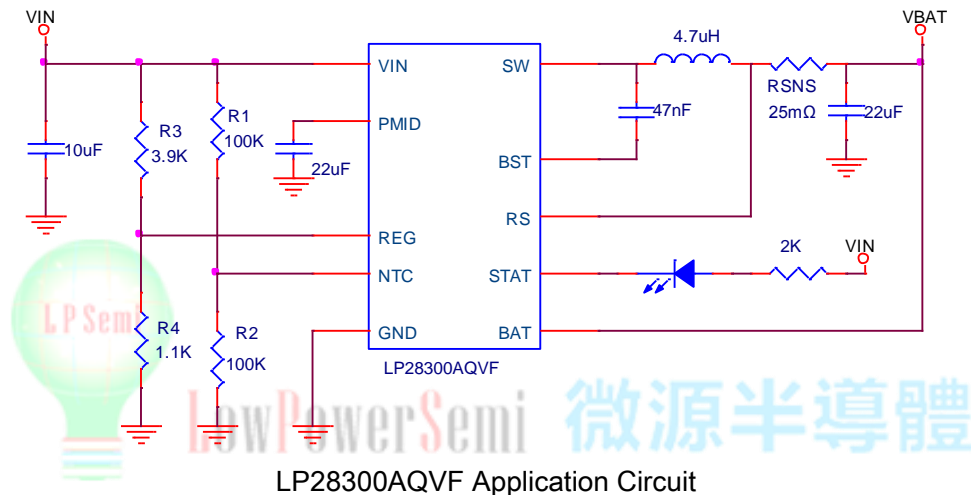
### Marking Information

Device	Marking	Package	Shipping	Device	Marking	Package	Shipping
LP28300ASPF	LPS	ESOP8	4K/REEL	LP28300BSPF	LPS	ESOP8	4K/REEL
LP28300AQVF	LP28300A YWX	TDFN-10	5K/REEL	LP28300BQVF	LP28300B YWX	TDFN-10	5K/REEL
LP28300ASPFH	LPS	ESOP8	4K/REEL	LP28300CSPF	LPS	ESOP8	4K/REEL
LP28300AQVFH	LP28300AH YWX	TDFN-10	5K/REEL	LP28300CQVF	LP28300C YWX	TDFN-10	5K/REEL

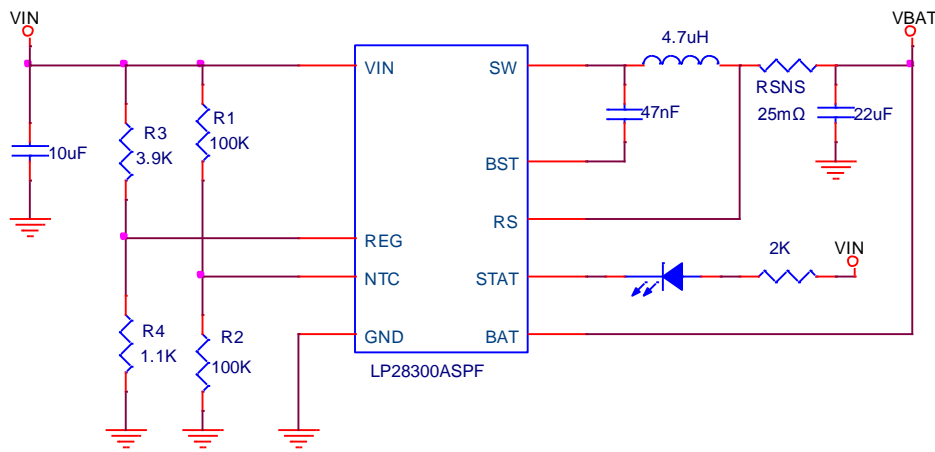
Marking indication:

Y: Year code. W: Week code. X: Batch numbers.

### Typical Application Circuit



LP28300AQVF Application Circuit



LP28300ASPF Application Circuit



## Functional Pin Description

Package Type	Pin Configurations
ESOP8 / TDFN-10	

## Pin Description

Pin		Name	Description
ESOP8	TDFN-10		
SW	1	4	Switch pin. Connect to external inductor.
BST	2	8	Internal charge pump boost pin.
STAT	3	7	Open-Drain Charge Status Output. When the battery is charging, this pin is pulled low by an internal N-channel MOSFET. When the LP28300 detects an under voltage lockout condition, STAT is forced high impedance.
NTC	4	6	NTC (Negative Temperature Coefficient) Thermistor Input. This pin senses the temperature of the battery pack and stops the charger when the temperature is out of range. Connect to GND for disabling this function.
BAT	5	9	Battery pin.
RS	6	10	Detecting pin of charge current.
REG	7	1	Input voltage feedback for the input voltage regulation loop. Connect to tap of an external resistor divider from VIN to GND to program the input voltage regulation. Once the voltage at REG pin drops to the inner threshold, the charge current is reduced to maintain the input voltage at the regulation value.
VIN	8	2	Positive Supply Voltage Input. Decouple with a 10μF or larger surface mounted ceramic capacitor.
GND	Pad	5,11	Ground.
PMID		3	Power MOS input pin. Connect a 22uF Capacitor to ground.



## Absolute Maximum Ratings <sup>Note 1</sup>

- ✧ VIN /PMID /BST/NTC to GND ----- 24V
- ✧ REG Voltage to GND ----- 6.5V
- ✧ BAT Pin to GND ----- 20V
- ✧ Maximum Junction Temperature ----- 150°C
- ✧ Operating Ambient Temperature Range (T<sub>A</sub>) ----- -40°C to 85°C
- ✧ Maximum Soldering Temperature (at leads, 10 sec) ----- 260°C

**Note 1.** Stresses beyond those listed under “Absolute Maximum Ratings” may cause permanent damage to the device. These are stress ratings only, and functional operation of the device at these or any other conditions beyond those indicated in the operational sections of the specifications is not implied. Exposure to absolute maximum rating conditions for extended periods may affect device reliability.

## Thermal Information

- ✧ Maximum Power Dissipation (ESOP8, P<sub>D</sub>, T<sub>A</sub>=25°C) ----- 2W
- ✧ Thermal Resistance (ESOP8, θ<sub>JA</sub>) ----- 50°C/W
- ✧ Maximum Power Dissipation (TDFN-10, P<sub>D</sub>, T<sub>A</sub>=25°C) ----- 1.5W
- ✧ Thermal Resistance (TDFN-10, θ<sub>JA</sub>) ----- 65°C/W

## ESD Susceptibility

- ✧ HBM(Human Body Mode) ----- 2KV
- ✧ MM(Machine Mode) ----- 200V

## Recommended Operating Conditions

- ✧ Operating Junction Temperature Range (T<sub>J</sub>) ----- -40°C to 150°C
- ✧ Ambient Temperature Range ----- -40°C to 85°C



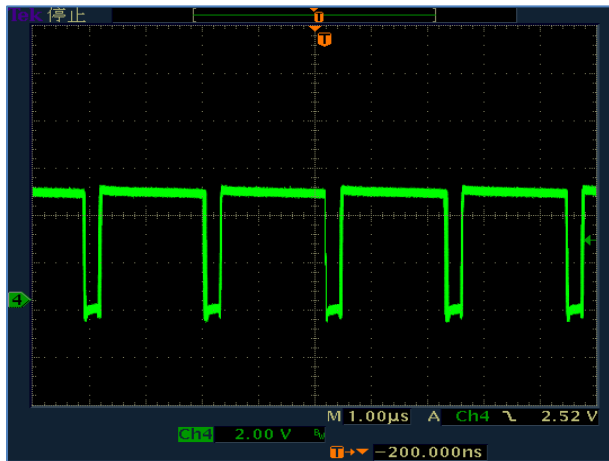
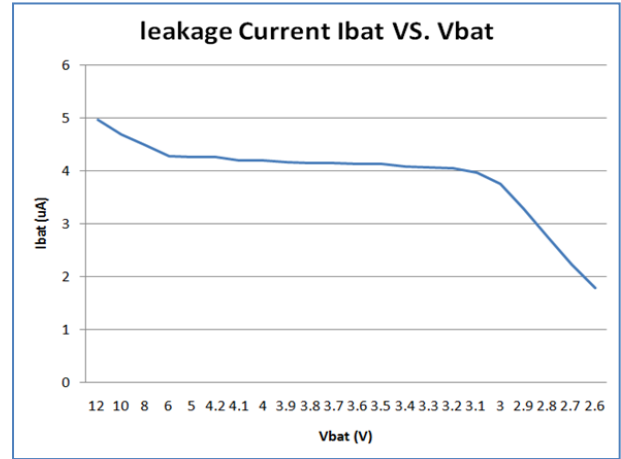
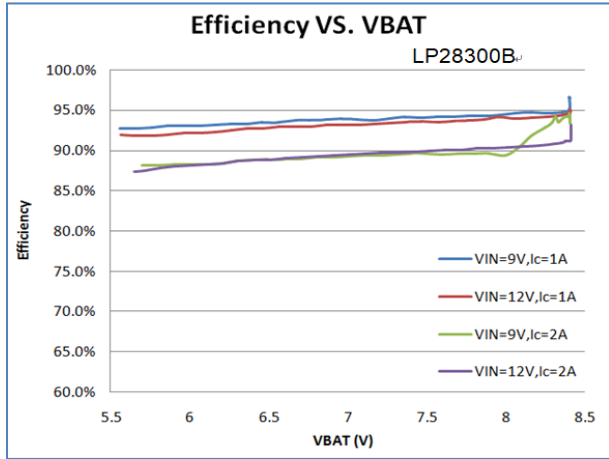
## Electrical Characteristics

(The specifications which apply over the full operating temperature range, otherwise specifications are at  $T_A=25^{\circ}\text{C}$ ,  $V_{IN} = 5\text{V}$ , unless otherwise noted.)

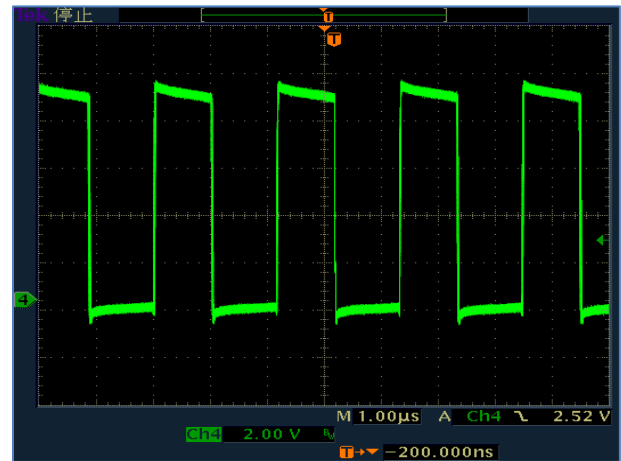
Symbol	Parameter	Condition	Min	Typ	Max	Units
$V_{IN}$	Adapter/USB Voltage Range		4		18	V
$I_{CC}$	Input Supply Current	Standby Mode (Charge Terminated)		1		mA
$V_{FLOAT}$	Regulated Output (Float) Voltage	LP28300AQVF/SPF	4.158	4.2	4.242	V
		LP28300AQVF/SPFH	4.306	4.35	4.395	
		LP28300BQVF/SPF		8.4		V
		LP28300CQVF/SPF		12.6		V
$V_{RS}$	Program Charging Current (For RS to BAT)	$V_{TRIKL} < V_{BAT} < V_{FLOAT}$		50		mV
$I_{BAT}$	BAT Pin Current	$R_{SNS}=50\text{m}\Omega$ , Current Mode		1000		mA
		$R_{SNS}=25\text{m}\Omega$ , Current Mode		2000		mA
		Standby Mode		4		$\mu\text{A}$
$I_{TRIKL}$	Trickle Charge Current	$V_{BAT} < V_{TRIKL}$ , $R_{SNS}=50\text{m}\Omega$		100		mA
		$V_{BAT} < 2.3\text{V}$		20		mA
$V_{TRIKL}$	Trickle Charge Threshold Voltage	$R_{SNS}=50\text{m}\Omega$ , $V_{BAT}$ Rising		2.8		V
$V_{TRHYS}$	Trickle Charge Hysteresis Voltage	$R_{SNS}=50\text{m}\Omega$		100		mV
$V_{REG}$	Input voltage regulation reference			1		V
$V_{STAT}$	STAT Pin Output Low Voltage	$I_{STAT}=5\text{mA}$			0.5	V
$\Delta V_{RECHRG}$	Recharge Battery Threshold Voltage	$V_{FLOAT}-V_{RECHRG}$		150		mV
$T_{LIM}$	Junction Temperature in Constant Temperature Mode			150		$^{\circ}\text{C}$
$I_{TERM}$	C/10 Terminal Current	$R_{SNS}=50\text{m}\Omega$		100		mA
UVLO	Under Voltage Lockout of $V_{IN}$	$V_{IN}$ rising		4.1		V
		$V_{IN}$ falling		3.9		V
$V_{NTC-H}$	Threshold Voltage of $V_{NTC}$ rising			70		$\%V_{IN}$
$V_{NTC-L}$	Threshold Voltage of $V_{NTC}$ falling			30		$\%V_{IN}$
$F_{OSC}$	Frequency			500		KHz



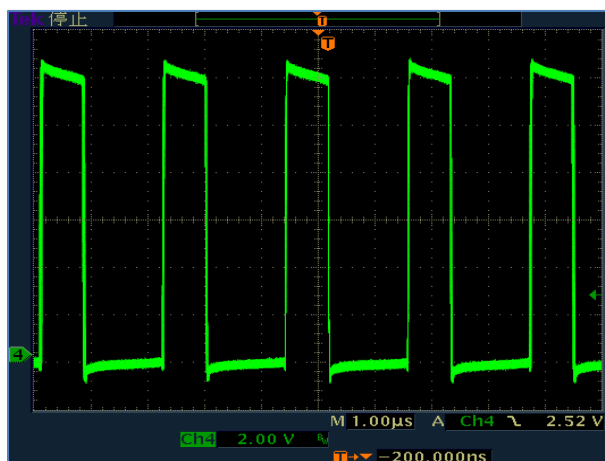
### Typical Operating Characteristics



LP28300A, IBAT=2A, CH4=Vsw, VIN=5V



LP28300A, IBAT=2A, CH4=Vsw, VIN=9V



LP28300A, IBAT=2A, CH4=Vsw, VIN=12V



## Application Information

LP28300 is a wide range  $V_{IN}(4V-18V)$ , 2A 1/2/3-cells synchronous buck Li-Ion battery charger integrates 500KHz switching frequency and full protection functions. The charge current up to 2A can be programmed by using the external resistor for different portable applications and indicates the charger current information simultaneous.

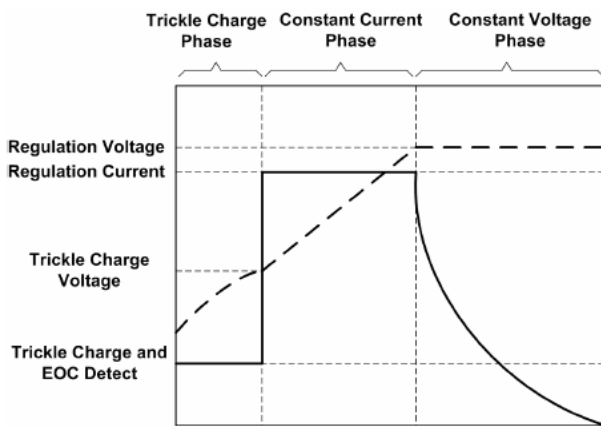


Figure 1. Typical Charge Profile

In constant current mode, the charge current is set by the external sense resistor  $R_{SNS}$  and an internal 50mV reference;

$$I_{BAT} = V_{RS} / R_{SNS} = 50mV / R_{SNS}$$

When the battery voltage approaches the programmed float voltage, the charge current will start to decrease. When the current drops to 10% of the full-scale charge current, an internal comparator turns off charging is terminated

### Input Source Qualification

After  $R_{EGN}$  amplifier powers up, the LP28300 checks the current capability of the input source. The input source has to meet the  $V_{REG} > 1V$  to enable the chip.

### Shutdown

The LP28300 can be shut down by pulling the NTC pin to  $V_{IN}$ . When the NTC pin is released, the internal timer is reset and a new charge cycle starts. In shutdown, the output of the STAT pin is high impedance. Removing the input power supply will put the charger into sleep mode. If the voltage at the  $V_{IN}$  pin drops below  $(V_{BAT} + 200mV)$  or below the UVLO level, the LP28300 goes into a low current sleep mode, reducing the battery drain current.

### Automatic Recharge

Once the charge cycle is terminated, the LP28300 continuously monitors the voltage on the BAT pin using a comparator with a 1.8ms filter time ( $t_{RECHARGE}$ ). A charge cycle restarts when the battery voltage falls below 4.05V (which corresponds to approximately 80% to 90% battery capacity). This ensures that the battery is kept at or near a fully charged condition and eliminates the need for periodic charge cycle initiations.

### Battery Temperature Detection

The LP28300 continuously monitors temperature by measuring the voltage between the NTC and GND pins. A negative or a positive temperature coefficient thermistor (NTC, PTC) and an external voltage divider typically develop this voltage. The LP28300 compares this voltage against its internal  $V_{NTC1}$  and  $V_{NTC2}$  thresholds to determine if charging is allowed. The temperature sensing circuit is immune to any fluctuation in  $V_{IN}$ , since both the external voltage divider and the internal thresholds ( $V_{NTC1}$  and  $V_{NTC2}$ ) are referenced to  $V_{IN}$ .





The resistor values of  $R_1$  and  $R_2$  are calculated by the following equations:

For NTC Thermistors:

$$R_1 = \frac{R_{TL}R_{TH}(K_2 - K_1)}{(R_{TL} - R_{TH})K_1K_2}$$

$$R_2 = \frac{R_{TL}R_{TH}(K_2 - K_1)}{R_{TL}(K_1 - K_1K_2) - R_{TH}(K_2 - K_1K_2)}$$

For PTC Thermistors:

$$R_1 = \frac{R_{TL}R_{TH}(K_2 - K_1)}{(R_{TH} - R_{TL})K_1K_2}$$

$$R_2 = \frac{R_{TL}R_{TH}(K_2 - K_1)}{R_{TH}(K_1 - K_1K_2) - R_{TL}(K_2 - K_1K_2)}$$

$K_{1(V_{NTC1})}=30\%$ ,  $K_{2(V_{NTC2})}=70\%$ .

Where  $R_{TL}$  is the low temperature resistance and  $R_{TH}$  is the high temperature resistance of thermistor, as specified by the thermistor manufacturer.  $R_1$  or  $R_2$  can be omitted if only one temperature (low or high) setting is required. Applying a voltage between the  $V_{NTC1}$  and  $V_{NTC2}$  thresholds to pin NTC disables the temperature-sensing feature.

### Inductor Selection

A operating frequency was chosen for the buck switcher in order to minimize the size of the inductor. However, take care to use inductors with low core loss at this frequency. To calculate the inductor ripple current:

$$\Delta I_L = \frac{V_{BAT} - \frac{V_{BAT}^2}{V_{IN}}}{L \times f}$$

### Layout Considerations

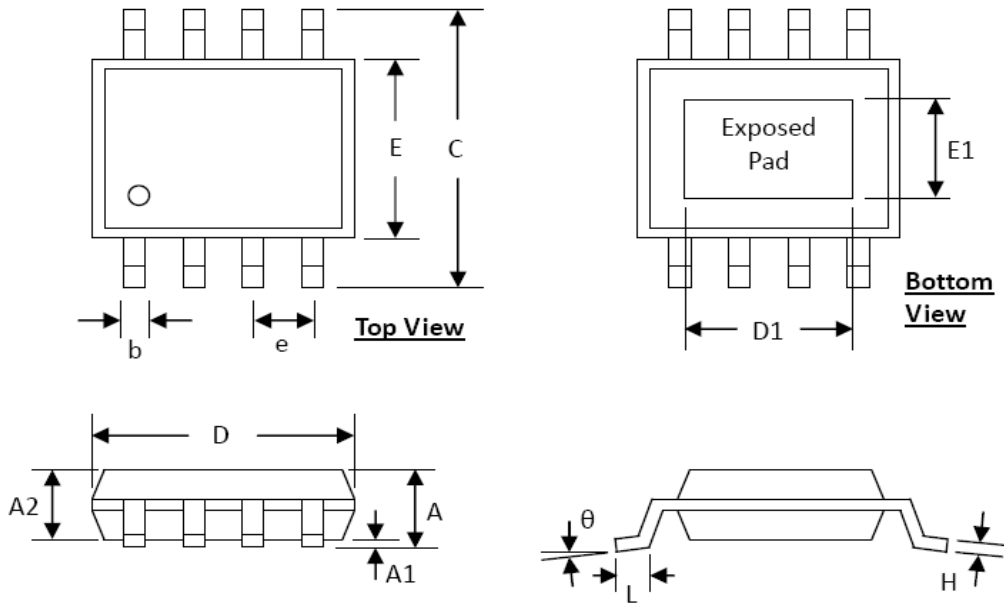
Switch rise and fall times are kept under 5ns for maximum efficiency. To minimize radiation, the SW pin and input bypass capacitor leads (between VIN and GND) should be kept as short as possible. A ground plane should be used under the switching circuitry to prevent inter plane coupling. The Exposed Pad must be connected to the ground plane for proper power dissipation. The other paths contain only DC and/or 500KHz tri-wave ripple current and are less critical. With the exception of the input and output filter capacitors (which should be connected to GND) all other components that return to ground should be connected to GND.





### Packaging Information

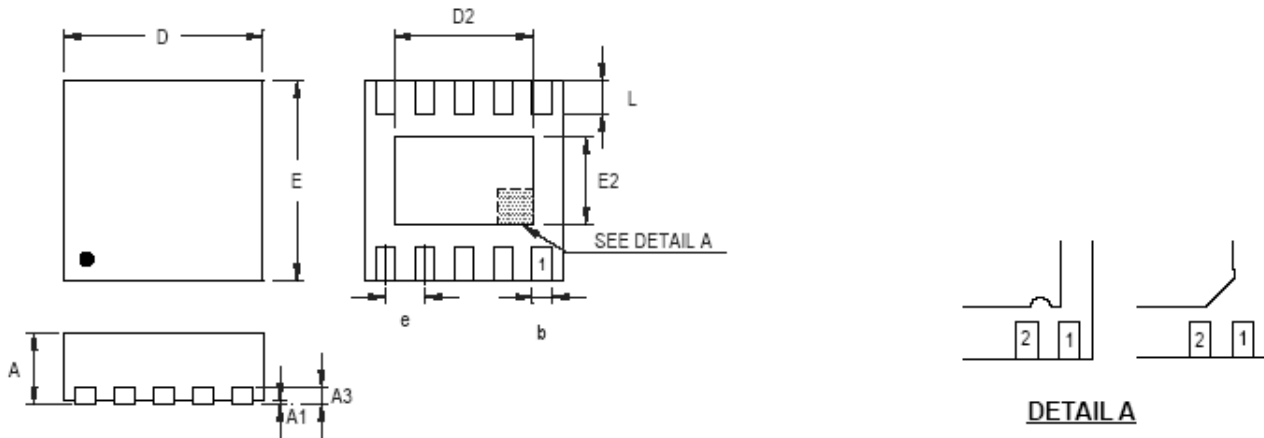
#### ESOP8



SYMBOLS	DIMENSION (MM)		DIMENSION (INCH)	
	MIN	MAX	MIN	MAX
A	1.30	1.70	0.051	0.067
A1	0.00	0.15	0.000	0.006
A2	1.25	1.52	0.049	0.060
b	0.33	0.51	0.013	0.020
C	5.80	6.20	0.228	0.244
D	4.80	5.00	0.189	0.197
D1	3.15	3.45	0.124	0.136
E	3.80	4.00	0.150	0.157
E1	2.26	2.56	0.089	0.101
e	1.27 BSC		0.050 BSC	
H	0.19	0.25	0.0075	0.0098
L	0.41	1.27	0.016	0.050
θ	0°	8°	0°	8°



TDFN-10



DETAIL A

Pin #1 ID and Tie Bar Mark Options

Note : The configuration of the Pin #1 identifier is optional, but must be located within the zone indicated.

Symbol	Dimensions In Millimeters		Dimensions In Inches	
	Min	Max	Min	Max
A	0.700	0.800	0.028	0.031
A1	0.000	0.050	0.000	0.002
A3	0.175	0.250	0.007	0.010
b	0.180	0.300	0.007	0.012
D	2.950	3.050	0.116	0.120
D2	2.300	2.650	0.091	0.104
E	2.950	3.050	0.116	0.120
E2	1.500	1.750	0.059	0.069
e	0.500		0.020	
L	0.350	0.450	0.014	0.018

W-Type 10L DFN 3x3 Package

## X-ON Electronics

Largest Supplier of Electrical and Electronic Components

*Click to view similar products for [Battery Management](#) category:*

*Click to view products by [LOWPOWER](#) manufacturer:*

Other Similar products are found below :

[MP2602DQ-LF-P](#) [MP26053DQ-LF-Z](#) [MP2611GL-P](#) [NCP347MTAHTBG](#) [LM3658SD-AEV/NOPB](#) [MP2607DL-LF-P](#) [MP26121DQ-LF-P](#)  
[MP26123DR-LF-P](#) [MP2633GR-P](#) [MP2637GR-P](#) [BQ24212EVM-678](#) [NCP1855FCCT1G](#) [MP2636GR-P](#) [FAN54063UCX](#)  
[MAX14680EWC+T](#) [MAX14634EWC+T](#) [DS2745U+T&R](#) [MAX14578EETE+T](#) [DS2781EVKIT+](#) [DS2781E+T&R](#) [MP2605DQ-LF-P](#)  
[DS2710G+T&R](#) [MAX17040G+T](#) [MAX14525ETA+T](#) [MP2615GQ-P](#) [MAX14578EEWC+T](#) [LC05132C01NMTTTG](#) [MAX8971EWP+T](#)  
[MAX14630EZK+T](#) [MAX1873TEEE+T](#) [PSC5415A](#) [AUR9811DGD](#) [SN2040DSQR](#) [DS2715BZ+T&R](#) [MAX1508ZETA+T](#)  
[MAX14921ECS+T](#) [MAX77301EWA+T](#) [BD8668GW-E2](#) [MAX16024PTBS+T](#) [DS2715Z+T&R](#) [MAX16024LTBZ18+T](#) [DS2782E+T&R](#)  
[DS2782G+T&R](#) [MAX1908ETI+T](#) [ISL95522IRZ](#) [ISL95522HRZ](#) [ARD00558](#) [NCP4371AAEDR2G](#) [BD8665GW-E2](#) [MAX8934EETI+T](#)