



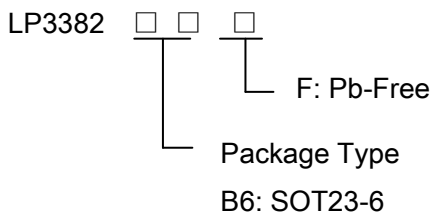
High Performance, Constant Current Switching Regulator For 8PCS White LED In Series

General Description

The LP3382 is a 1MHz PWM boost switching regulator designed for constant- current white LED driver applications. The LP3382 can drive a string of up to 8 white LEDs in series, ensuring uniform brightness and eliminating several ballast resistors. The LP3382 implements a constant frequency 1MHz PWM control scheme. The high frequency PWM operation also saves board space by reducing external component sizes. To improve efficiency, the feedback voltage is set to 250 mV, which reduces the power dissipation in the current setting resistor.

Highly integration and internal compensation network minimizes as 5 external component counts. Optimized operation frequency can meet the requirement of small LC filters value and low operation current with high efficiency.

Order Information



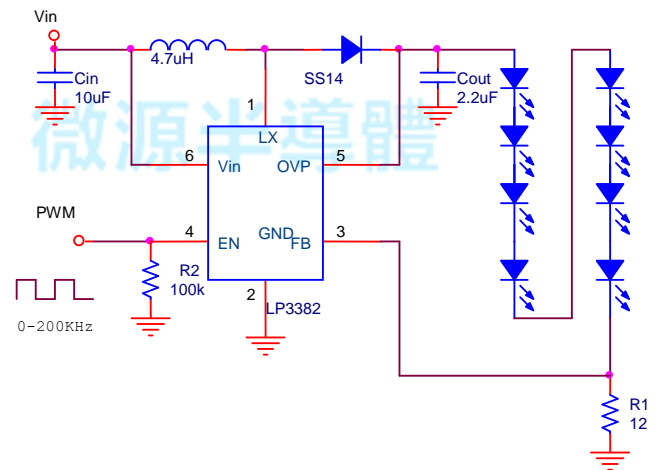
Applications

- ✧ WLED Backlight driver
- ✧ OLED Backlight driver
- ✧ PDA
- ✧ MID/PTV

Features

- ◆ High Efficiency: 94%
- ◆ 1MHzFixed-Frequency PWM Operation
- ◆ Maximum Output Voltage up to 29V
- ◆ Operating Range : 2.2V to 5.5V
- ◆ Shutdown Supply Current:<1uA
- ◆ Available in SOT23-6 Package
- ◆ Built-in 29V Over Voltage Protection
- ◆ Minimize the External Component
- ◆ RoHS Compliant and 100% Lead (Pb)-Free

Typical Application Circuit



Marking information

| Device | Marking | Package | Shipping |
|--|---------------|---------|----------|
| LP3382 | LPS F5YWXX | SOT23-6 | 3K/REEL |
| Y:Production year W:Production week X:Production batch | | | |



Functional Pin Description

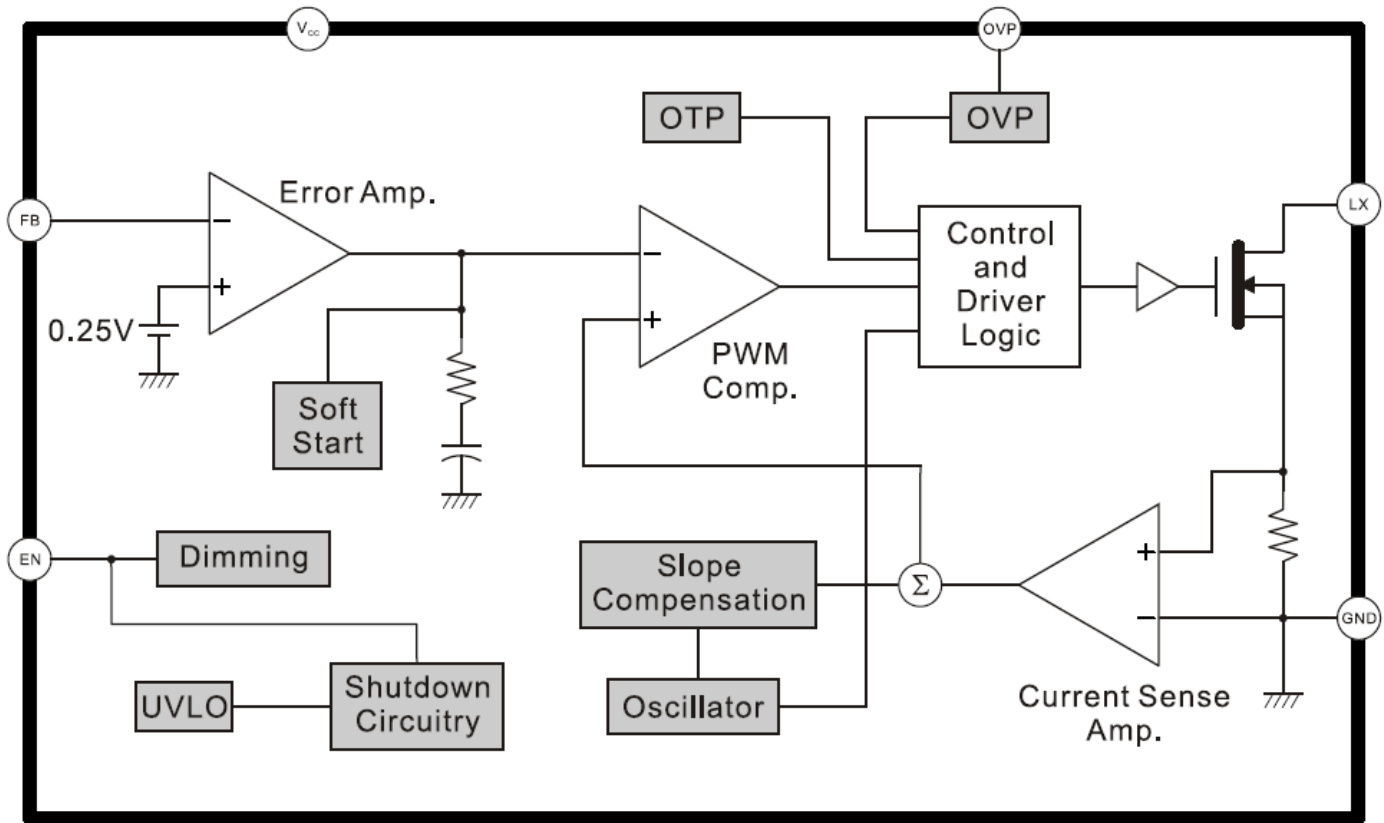
| Package Type | Pin Configurations |
|--------------|---|
| SOT23-6 | <p style="text-align: center;">SOT-23-6</p> |

Pin Description

| Pin | Name | Description |
|-----|------|--|
| 1 | SW | Switch Pin. Connect this Pin to inductor and catch diode. Minimize the track area to reduce EMI. |
| 2 | GND | Ground Pin. |
| 3 | FB | Feedback Reference Voltage Pin. Series connect a resistor between WLED and ground as a current sense. Sense the current feedback voltage to set the current rating. |
| 4 | EN | Chip Enable (Active High). Voltage sensing input to trigger the function of over voltage protection. Note that this pin is high impedance. There should be a pull low 100kΩ resistor connected to GND when the control signal is floating. |
| 5 | OVP | Over voltage pin. |
| 6 | Vin | Supply Input Voltage Pin. Bypass 10uF capacitor to GND to reduce the input noise. |



Function Block Diagram



Absolute Maximum Ratings

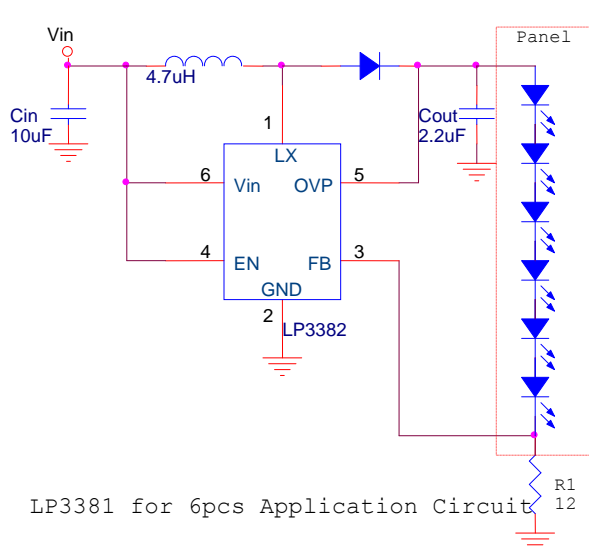
- ✧ IN Pin to GND ----- -0.3V to 6.5V
- ✧ SW/OVP Pin to GND ----- -0.3V to 35V
- ✧ The Other Pins ----- -0.3V to 5.5V
- ✧ Storage Temperature Range ----- -65°C to 150°C
- ✧ Maximum Soldering Temperature (at leads, 10sec) ----- 260°C
- ✧ Maximum Power Dissipation (PD,TA<40°C ----- 0.45W
- ✧ Thermal Resistance (JA) ----- 250°C/W
- ✧ Maximum Junction Temperature ----- 125°C
- ✧ Operating Junction Temperature Range (TJ) ----- -20°C to 85°C

ESD Susceptibility

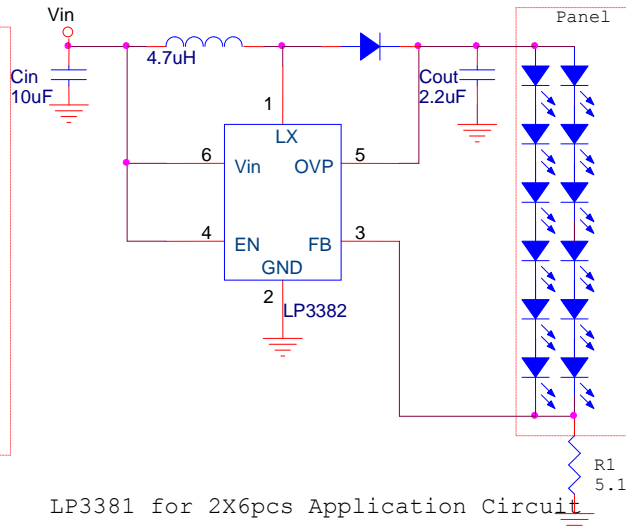
- ✧ HBM(Human Body Mode) ----- 2KV
- ✧ MM(Machine Mode) ----- 200V



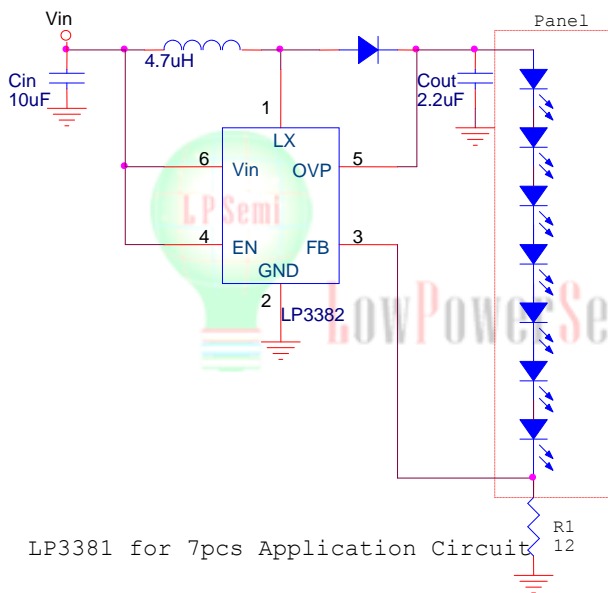
Typical Application Circuit



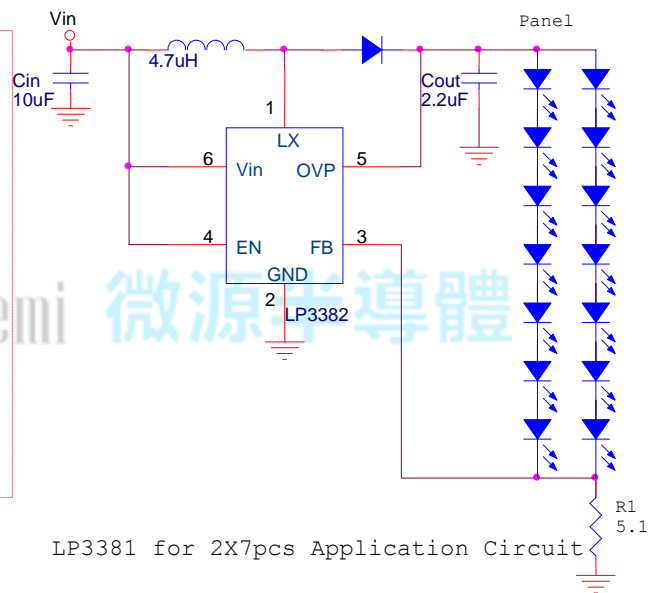
LP3381 for 6pcs Application Circuit



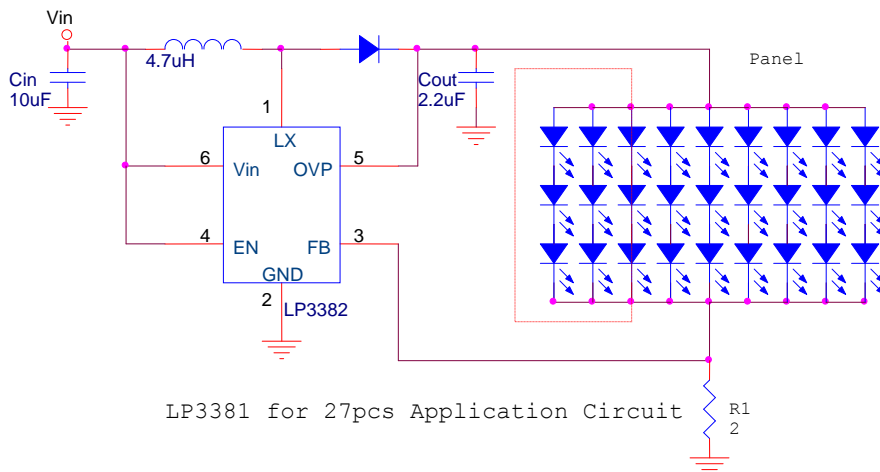
LP3381 for 2X6pcs Application Circuit



LP3381 for 7pcs Application Circuit



LP3381 for 2X7pcs Application Circuit



LP3381 for 27pcs Application Circuit

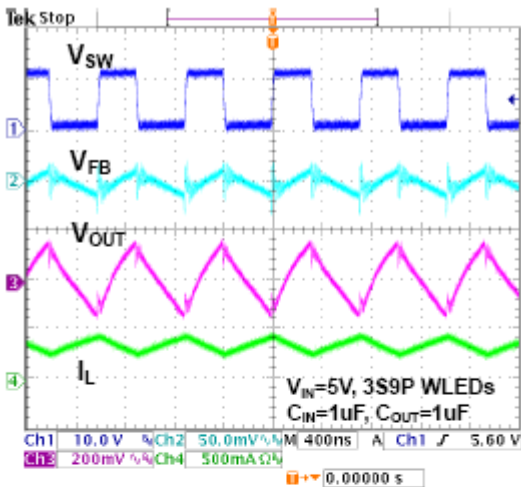


Electrical Characteristics

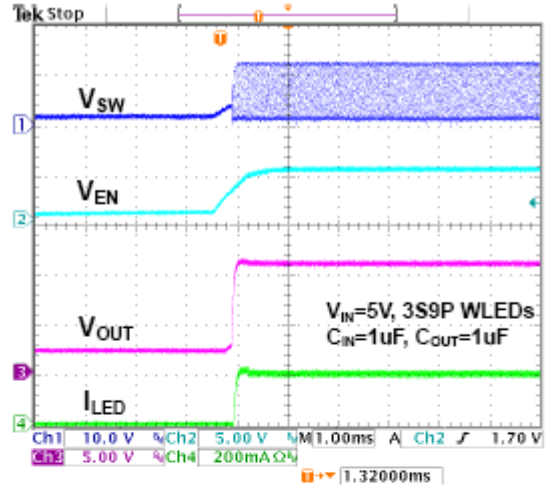
| Parameter | Symbol | Test Condition | Min | Typ. | Max | Units |
|----------------------------|---------|--------------------|-----|------|------|-------|
| System Supply Input | | | | | | |
| Operation voltage Range | VDD | | 2.2 | | 5.5 | V |
| Under Voltage Lock Out | VDD | | 1.5 | 1.8 | 2.1 | V |
| Supply Current | IDD | FB=0.3V, no Switch | | 90 | | uA |
| Shut Down Current | IDD | VEN < 0.4V | | 0.1 | 1 | uA |
| Line Regulation | | VIN : 3.0~4.3V | | 2 | | % |
| Oscillator | | | | | | |
| Operation Frequency | FOSC | | | 1 | | MHz |
| Maximum Duty Cycle | | | 93 | | | % |
| Feedback Voltage | LP3382 | | 235 | 250 | 265 | mV |
| MOSFET | | | | | | |
| On Resistance of MOSFET | RDS(ON) | | | 0.3 | | Ω |
| SW Current Limit | ILM | | | 2 | | A |
| Protection | | | | | | |
| OVP Threshold | VOVP | | | 29 | | V |
| OVP Sink Current | | | | 5 | | μA |
| Shut Down Voltage | VEN | | | | 0.4 | V |
| Enable on Voltage | VEN | | 1.4 | | | V |
| PWM EN Dimming range | | | 100 | | 200K | Hz |



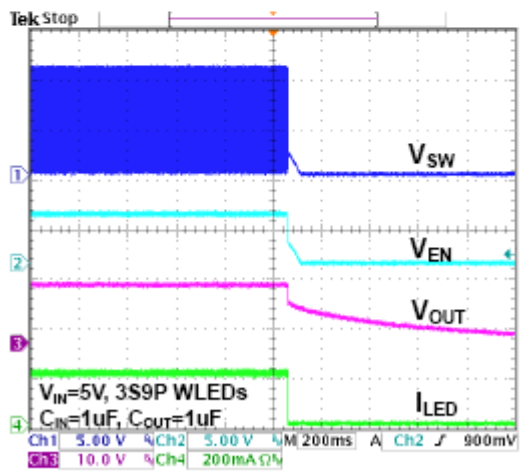
Typical Operating Characteristics



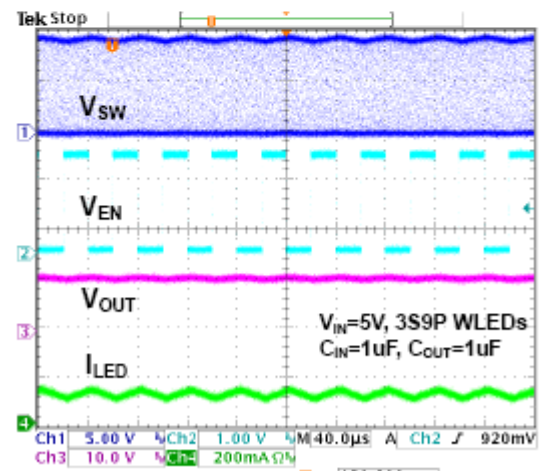
Switch waveforms



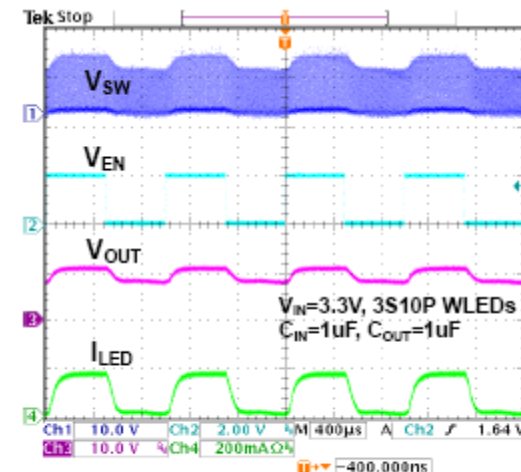
Enable Startup Response Waveforms



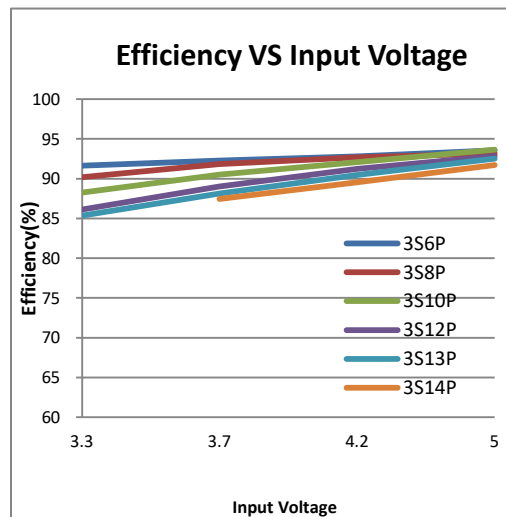
Enable Shutdown Response Waveforms



PWM Dimming Response Waveforms at a frequency of 25kHz



PWM Dimming Response Waveforms at a frequency of 1kHz





Applications Information

LED Current Control

The LP3382 regulates the LED current by setting the current sense resistor (R1) connecting to feedback and ground. The internal feedback reference voltage is 250mV. The LED current can be set from following equation easily.

$$I_{LED} = 250\text{mV} / R_{set}$$

In order to have an accurate LED current, precision resistors are preferred (1% is recommended). The table for R1 selection is shown below.

Power Sequence

In order to assure the normal soft start function for suppressing the inrush current the input voltage should be ready before EN pulls high.

Soft-Start

The function of soft-start is made for suppressing the inrush current to an acceptable value at the beginning of power-on. The LP3382 provides a built-in soft-start function by clamping the output voltage of error amplifier so that the duty cycle of the PWM will be increased gradually in the soft-start period.

Current Limiting

The current flow through inductor as charging period is detected by a current sensing circuit. As the value comes across the current limiting threshold, the N-MOSFET will be turned off so that the inductor will be forced to leave charging stage and enter discharging stage. Therefore, the inductor current will not increase over the current limiting threshold.

OVP/UVLO/OTP

The Over Voltage Protection is detected by a junction breakdown detecting circuit. Once VOUT goes over the detecting voltage, LX pin stops switching and the power N-MOSFET will be turned off. Then, the VOUT will be clamped to be near VOVP. As the output voltage is higher than a specified value or input voltage is lower than a specified value, the chip will enter protection mode to prevent abnormal function. As the die temperature is higher than 150°C, the chip also will enter protection mode. The power MOSFET will be turned off during protection mode to prevent abnormal operation.

Inductor Selection

The recommended value of inductor for 2 to 8WLEDs applications are 4.7 to 22μH. Small size and better efficiency are the major concerns for portable device, such as LP3382 used for mobile phone. The inductor should have low core loss at 1MHz and low DCR for better efficiency. To avoid inductor saturation current rating should be considered.

Capacitor Selection

Input ceramic capacitor of 10uF and output ceramic capacitor of 1uF are recommended for the LP3382 applications for driving 8 series WLEDs. For better voltage filtering, ceramic capacitors with low ESR are recommended. X5R and X7R types are suitable because of their wider voltage and temperature ranges.

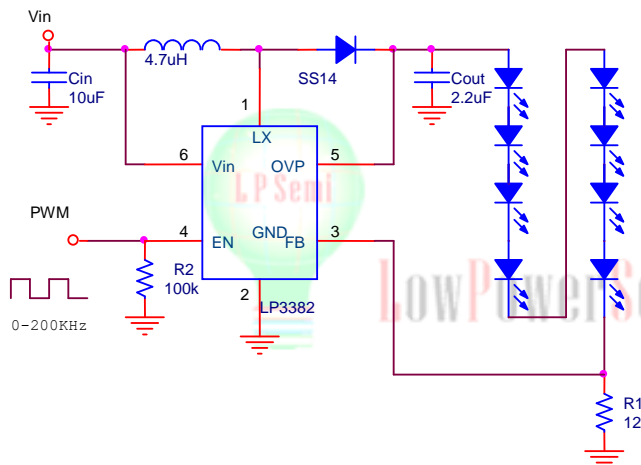


Dimming control

a. Using a PWM Signal to EN Pin

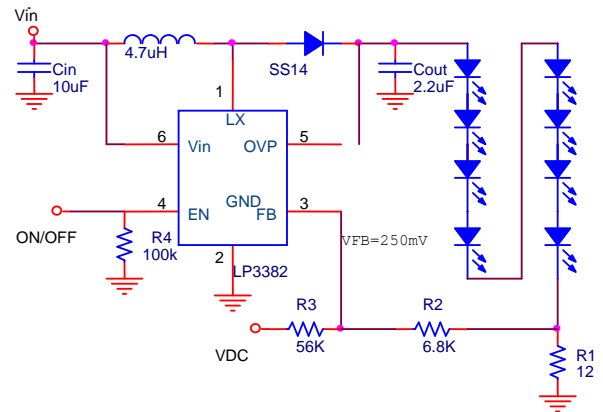
For controlling the LED brightness, the LP3382 can perform the dimming control by applying a PWM signal to EN pin. The internal soft-start and wide range dimming frequency from 100Hz to 200KHz can insignificantly reduce audio noise when dimming. The

average LED current is proportional to the PWM signal duty cycle. The magnitude of the PWM signal should be higher than the maximum enable voltage of EN pin, in order to let the dimming control perform correctly.



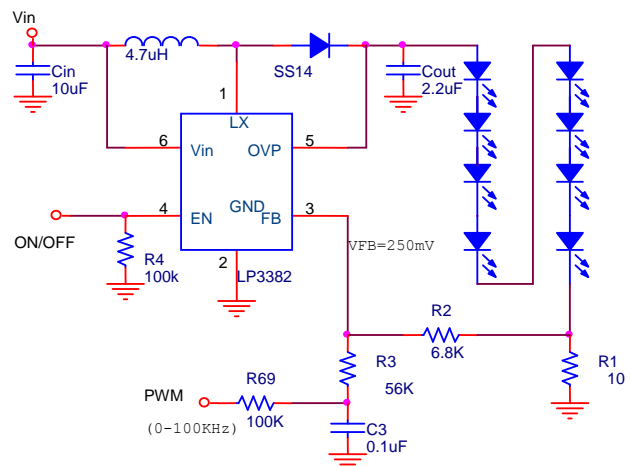
b. Using a DC Voltage

Using a variable DC voltage to adjust the brightness is a popular method in some applications. The dimming control using a DC voltage circuit is shown below. According to the Superposition Theorem, as the DC voltage increases, the voltage contributed to VFB increases and the voltage drop on R2 decreases, i.e. the LED current decreases. For example, if the VDC range is from 0V to 2.8V, the selection of resistors in below sets dimming control of LED current from 20mA to 0mA.



c. Using a Filtered PWM signal

Another common application is using a filtered PWM signal as an adjustable DC voltage for LED dimming control. A filtered PWM signal acts as the DC voltage to regulate the output current. The suggested application circuit is shown below. In this circuit, the output ripple depends on the frequency of PWM signal. For smaller output voltage ripple (<100mV), the recommended frequency of 2.8V PWM signal should be above 2kHz. To fix the frequency of PWM signal and change the duty cycle of PWM signal can get different output current. According to the application circuit of Figure, output current is from 20.5mA to 5.5mA by adjusting the PWM duty cycle from 10% to 90%.





Thermal Considerations

For continuous operation, do not exceed absolute maximum operation junction temperature. The maximum power dissipation depends on the thermal resistance of IC package, PCB layout, the rate of surroundings airflow and temperature difference between junction to ambient.

The maximum power dissipation can be calculated by following formula :

$$PD(MAX) = (T_J(MAX) - T_A) / q_{JA}$$

Where $T_J(MAX)$ is the maximum operation junction temperature, T_A is the ambient temperature and the q_{JA} is the junction to ambient thermal resistance. For the recommended operating conditions specification of LP3382, the maximum junction temperature of the die is 125 °C. The junction to ambient thermal resistance q_{JA} is layout dependent. The junction to ambient thermal resistance for TSOT-23-6 package is 250°C/W on the standard JEDEC51-3 single layer thermal test board. The maximum power dissipation at $T_A = 25^\circ\text{C}$ can be calculated by following formula :

$$PD(MAX) = (125^\circ\text{C} - 25^\circ\text{C}) / (250^\circ\text{C/W}) = 0.4\text{W}$$

The maximum power dissipation depends on operating ambient temperature for fixed $T_J(MAX)$ and thermal resistance q_{JA} .

Layout Consideration

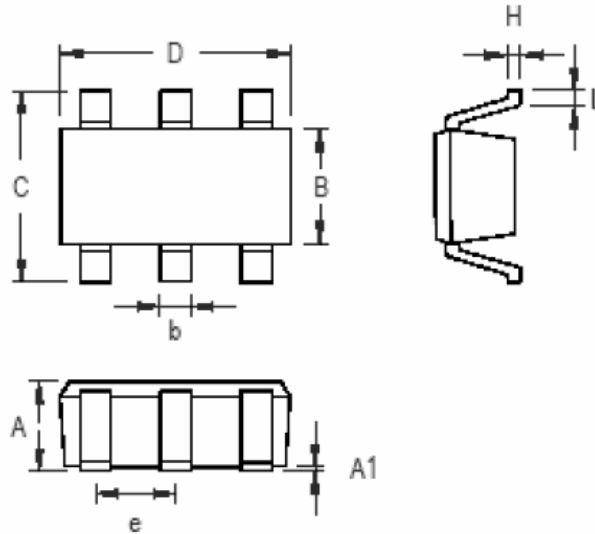
For best performance of the LP3382, the following guidelines must be strictly followed.

- ※ Input and Output capacitors should be placed close to the IC and connected to ground plane to reduce noise coupling.
- ※ The GND and Exposed Pad should be connected to a strong ground plane for heat sinking and noise protection.
- ※ Keep the main current traces as possible as short and wide.
- ※ LX node of DC-DC converter is with high frequency voltage swing. It should be kept at a small area.

Place the feedback components as close as possible to the IC and keep away from the noisy devices.



Packaging Information



| Symbol | Dimensions In Millimeters | | Dimensions In Inches | |
|--------|---------------------------|-------|----------------------|-------|
| | Min | Max | Min | Max |
| A | 0.889 | 1.295 | 0.031 | 0.051 |
| A1 | 0.000 | 0.152 | 0.000 | 0.006 |
| B | 1.397 | 1.803 | 0.055 | 0.071 |
| b | 0.250 | 0.560 | 0.010 | 0.022 |
| C | 2.591 | 2.997 | 0.102 | 0.118 |
| D | 2.692 | 3.099 | 0.106 | 0.122 |
| e | 0.838 | 1.041 | 0.033 | 0.041 |
| H | 0.080 | 0.254 | 0.003 | 0.010 |
| L | 0.300 | 0.610 | 0.012 | 0.024 |

SOT-23-6 Surface Mount Package

X-ON Electronics

Largest Supplier of Electrical and Electronic Components

Click to view similar products for [lowpower manufacturer](#):

Other Similar products are found below :

[LPA4722QVF](#) [LP4060AB5F-435](#) [LP6230BMSF](#) [LP3352QVF](#) [LP7800K2SPF](#) [LP6493ASOF](#) [LP28300AQVF](#) [LP6253HSPF](#) [LP3995-50X3F](#)
[LP3990-18QVF](#) [LP28021AQVF](#) [LP6492F24SOF](#) [LP3102QVF](#) [LP64920F24SOF](#) [LP3220SAB5F](#) [LP3984-25B5F](#) [LPA8002HSOF](#)
[LP5303QVF](#) [LP6401F24SOF](#) [LP28058SPF](#) [LP3808-33CB3F](#) [LPA2175SPF](#) [LP28400ASPF](#) [LPM3413B3F](#) [LP6285QVF](#) [LPB2105B6F](#)
[LP6490SPF](#) [LP7800ASPF](#) [LP7800XSOF](#) [LP28013QVF](#) [LP3990-12QVF](#) [LP7800BSPF](#) [LP6280HVF](#) [LP5300X3F](#) [LP6492ASOF](#)
[LPA2100ASPF](#) [LPW5209B5F-21](#) [LP3990A-18QVF](#) [LP4063SB5F](#) [LP3983HAX5F](#) [LP6493BSOF](#) [LP6470B6F](#) [LP28055SPF](#) [LP6239SOF](#)
[LP6283QVF](#) [LP28009-84SPF](#) [LPA2103S0F](#) [LP6210B6F](#) [LPM9033QVF](#) [LP6493SOF](#)