



600mA, Ultra-low noise, Ultra-Fast CMOS LDO Regulator

General Description

The LP3987H is designed for portable RF and wireless applications with demanding performance and space requirements. The LP3987H performance is optimized for battery-powered systems to deliver ultra low noise and low quiescent current. Regulator ground current increases only slightly in dropout, further prolonging the battery life. The LP3987H also works with low-ESR ceramic capacitors, reducing the amount of board space necessary for power applications, critical in hand-held wireless devices. The LP3987H consumes less than 0.01 μ A in shutdown mode and has fast turn-on time less than 20 μ s. The other features include ultra low dropout voltage, high output accuracy, current limiting protection, and high ripple rejection ratio. It is available in the 5-lead of SOT23-5 packages.

Order Information

LP3987H	□	□	□	□	□
	F: Pb-Free		Package Type		
			B5: SOT23-5		
	Output Type				
	12:	1.2V			
	15:	1.5V			
	18:	1.8V			
	25:	2.5V			
	28:	2.8V			
	30:	3.0V			
	33:	3.3V			
	36:	3.6V			

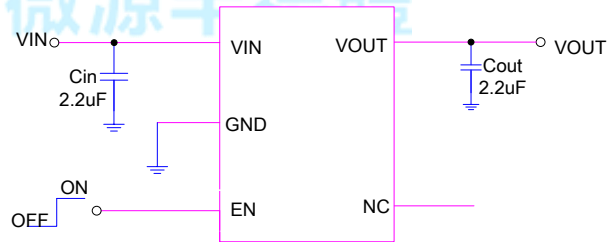
Features

- ◆ Ultra-Low-Noise for RF Application
- ◆ 2.5V- 6.0V Input Voltage Range
- ◆ Low Dropout : 360mV @ 600mA
- ◆ High PSSR:-65dB at 1KHz
- ◆ < 0.01uA Standby Current When Shutdown
- ◆ Ultra-Fast Response in Line/Load transient
- ◆ Current Limiting and Thermal Shutdown Protection

Applications

- ✧ Portable Media Players/MP3 players
- ✧ Cellular and Smart mobile phone
- ✧ Sensor Module, RF Module

Typical Application Circuit



Marking Information

Device	Marking	Package	Shipping
LP3987H		SOT23-5	3K/REEL



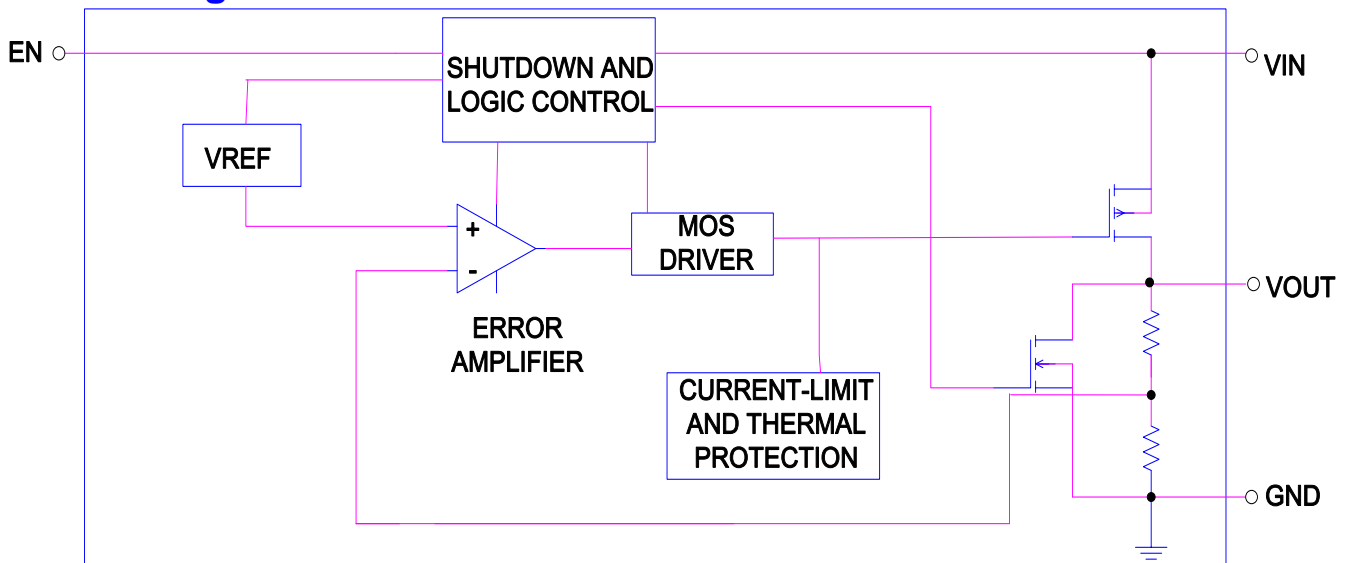
Functional Pin Description

Package Type	Pin Configurations
SOT23-5	<p>Top View / SOT23-5</p>

Pin Description

Pin	Name	Description
1	VIN	Power Input Voltage.
2	GND	Ground.
3	EN	Chip Enable (Active High). Note that this pin is high impedance. There is an integrated pull low 1MΩ resistor connected to GND when the control signal is floating.
4	NC	No connection.
5	VOUT	Output Voltage.

Function Diagram





Absolute Maximum Ratings

- ✧ Input Voltage to GND ----- -0.3V to 6.5V
- ✧ Other pin to GND ----- -0.3V to 6V
- Power Dissipation, PD @ TA = 25°C
- ✧ Maximum Power Dissipation (PD,TA=25°C) ----- 0.5W
- Package Thermal Resistance
- ✧ Thermal Resistance (JA) ----- 195°C/W
- ✧ Thermal Resistance (JC) ----- 60°C/W
- ✧ Maximum Junction Temperature ----- 150°C
- ✧ Maximum Soldering Temperature (at leads, 10 sec) ----- 260°C
- ✧ Storage Temperature Range ----- -65°C to 165°C

ESD Susceptibility

- ✧ HBM (Human Body Mode) ----- 2kV
- ✧ MM(Machine-Mode) ----- 200V

Recommended Operating Conditions

- ✧ Supply Input Voltage ----- 2.5V to 6V
- ✧ Operation Junction Temperature Range ----- -40°C to 125°C
- ✧ Operation Ambient Temperature Range ----- -40°C to 85°C





Electrical Characteristics

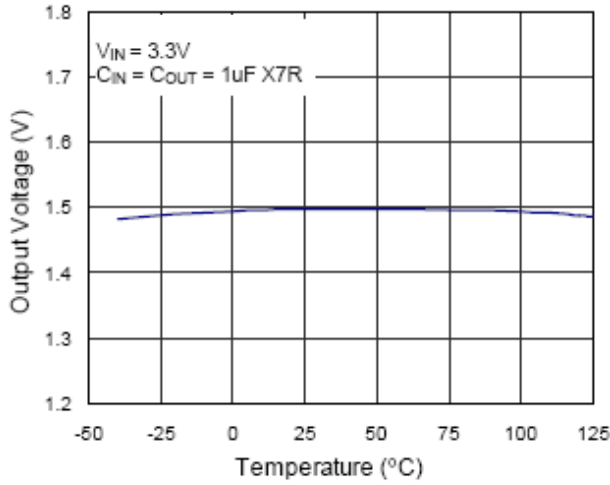
(VIN = VOUT + 0.8V, Cin = Cout = 1μF, TA = 25° C, unless otherwise specified)

Parameter		Symbol	Test Conditions	Min	Typ.	Max	Units
Output Voltage Accuracy		ΔV_{OUT}	$I_{OUT} = 1mA$	-2	--	+2	%
Output Current		I_{OUT}	$V_{EN}=V_{IN}, V_{IN}>2.5V$		600		mA
Current Limit		I_{LIM}	$R_{LOAD} = 1\Omega$		800		mA
Quiescent Current		I_Q	$V_{EN}\geq 1.4V, \text{Output floating}$		110	130	μA
Dropout Voltage		V_{DROP}	$I_{OUT}=100mA, V_{OUT}> 2.8V$		60	80	mV
			$I_{OUT}=600mA, V_{OUT}> 2.8V$		360	480	
Line Regulation		ΔV_{LINE}	$V_{IN}=(V_{OUT}+1V) \text{ to } 5.5V,$ $I_{OUT} = 1mA$			0.2	%
Load Regulation		$\Delta LOAD$	$1mA < I_{OUT} < 300mA$			2	%
Standby Current		I_{STBY}	$V_{EN} = GND, \text{Shutdown}$		0.01	1	μA
EN Input Bias Current		I_{IBSD}	$V_{EN} = 5V$		4	6	μA
EN Threshold	Logic-Low Voltage	V_{IL}	$V_{IN} = 3V \text{ to } 5.5V,$ Shutdown			0.4	V
	Logic-High Voltage	V_{IH}	$V_{IN} = 3V \text{ to } 5.5V,$ Start-Up	1.4		$V_{IN}+$ 0.3	
Output Noise Voltage			10Hz to 100kHz, $I_{OUT}=200mA, C_{OUT}=1\mu F$		100		uVRMS
Power Supply Rejection Rate	f = 1kHz	PSRR	$C_{OUT} = 1\mu F,$ $I_{OUT} = 10mA$		-65		dB
	f = 10kHz				-55		
Thermal Shutdown Temperature		T_{SD}			150		°C

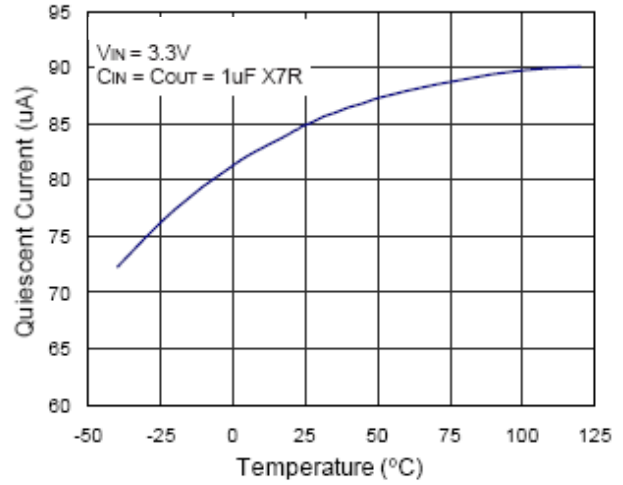


Typical Operating Characteristics

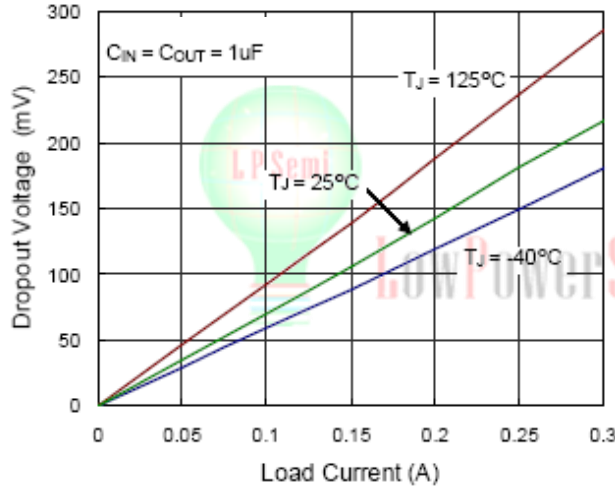
Output Voltage vs. Temperature



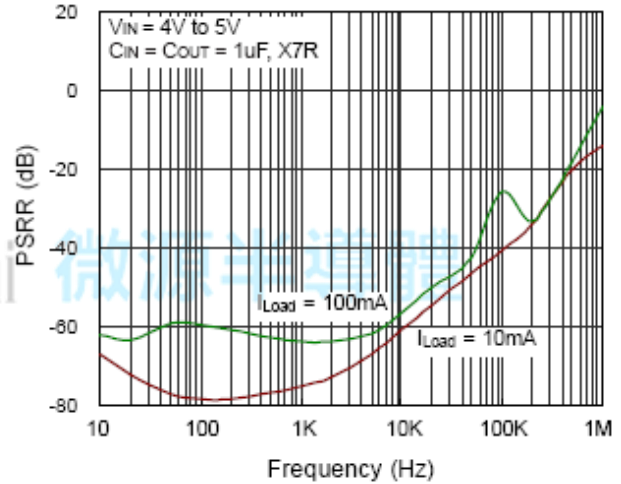
Quiescent Current vs. Temperature



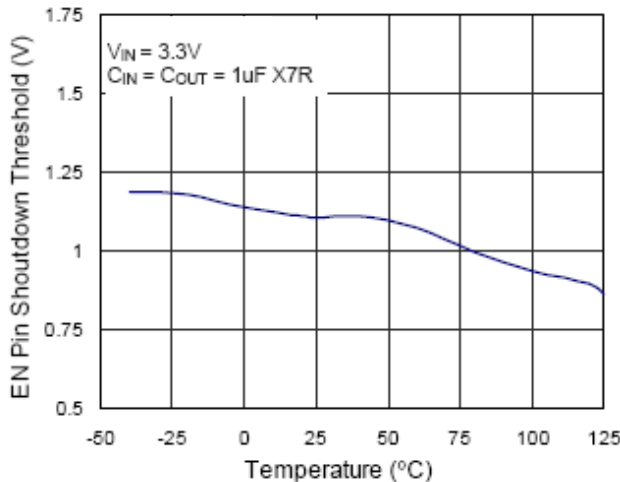
Dropout Voltage vs. Load Current



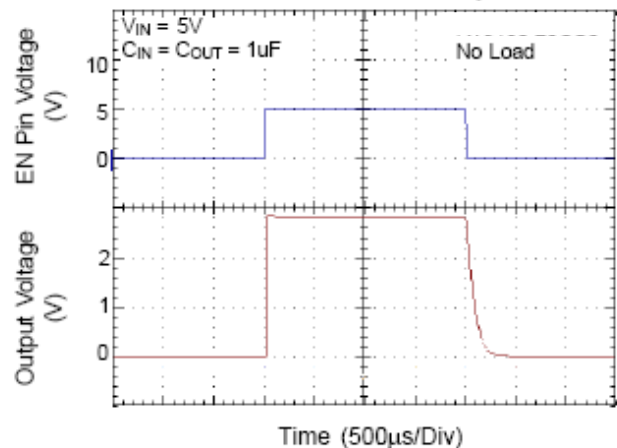
PSRR



EN Pin Shutdown Threshold vs. Temperature



EN Pin Shutdown Response





Applications Information

Like any low-dropout regulator, the external capacitors used with the LP3987H must be carefully selected for regulator stability and performance. Using a capacitor whose value is $> 1\mu\text{F}$ on the LP3987H input and the amount of capacitance can be increased without limit. The input capacitor must be located a distance of not more than 0.5 inch from the input pin of the IC and returned to a clean analog ground. There is a special attention which is the input capacitance should not be less than output capacitance. Any good quality ceramic or tantalum can be used for this capacitor. The capacitor with larger value and lower ESR (equivalent series resistance) provides better PSRR and line-transient response. The output capacitor must meet both requirements for minimum amount of capacitance and ESR in all LDOs application. The LP3987H is designed specifically to work with low ESR ceramic output capacitor in space-saving and performance consideration. Using a ceramic capacitor whose value is at least $1\mu\text{F}$ with ESR is $> 25\text{m}\Omega$ on the LP3987H output ensures stability. The LP3987H still works well with output capacitor of other types due to the wide stable ESR range. Output capacitor of larger capacitance can reduce noise and improve load transient response, stability, and PSRR. The output capacitor should be located not more than 0.5 inch from the VOUT pin of the LP3987H and returned to a clean analog ground.

Thermal Considerations

Thermal protection limits power dissipation in LP3987H. When the operation junction temperature exceeds 150°C , the OTP circuit starts the thermal shutdown function turn the pass element off. The pass element turns on again after the junction temperature cools by 25°C . For continue operation, do not exceed absolute maximum operation junction temperature 125°C .

The power dissipation definition in device is :

$$P_D = (V_{IN} - V_{OUT}) \times I_{OUT} + V_{IN} \times I_Q$$

The maximum power dissipation depends on the thermal resistance of IC package, PCB layout, the rate of surroundings airflow and temperature difference between junction to ambient.

The maximum power dissipation can be calculated by following formula :

$$P_{D(\text{MAX})} = (T_{J(\text{MAX})} - T_A) / \theta_{JA}$$

Where $T_{J(\text{MAX})}$ is the maximum operation junction temperature 125°C , T_A is the ambient temperature and the θ_{JA} is the junction to ambient thermal resistance. For recommended operating conditions specification of LP3987H, where $T_{J(\text{MAX})}$ is the maximum junction temperature of the die

(125°C) and T_A is the maximum ambient temperature. The junction to ambient thermal resistance (θ_{JA} is layout dependent) for SOT23-5 package is $195^\circ\text{C}/\text{W}$.

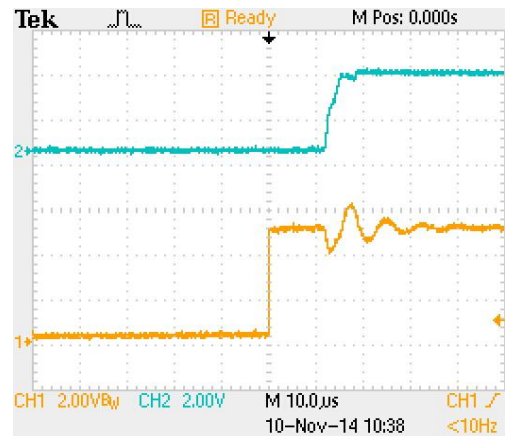
$$P_{D(\text{MAX})} = (125^\circ\text{C} - 25^\circ\text{C}) / 195^\circ\text{C} = 500\text{mW (SOT23-5)}$$

The maximum power dissipation depends on operating ambient temperature for fixed $T_{J(\text{MAX})}$ and thermal resistance θ_{JA} . When considering the thermal characteristic of PCB it may be larger than 500mW.



Start-up Function Enable Function

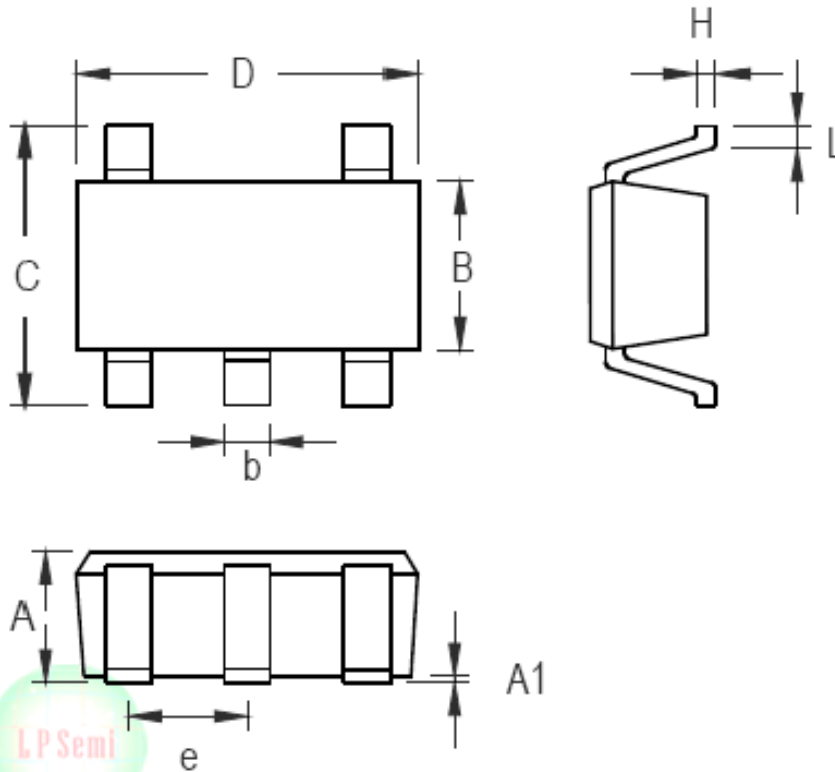
The LP3987H features an LDO regulator enable/disable function. To assure the LDO regulator will switch on, the EN turn on control level must be greater than 1.4 volts. The LDO regulator will go into the shutdown mode when the voltage on the EN pin falls below 0.4 volts. For protecting the system, the LP3987H have a quick-discharge function. If the enable function is not needed in a specific application, it may be tied to VIN to keep the LDO regulator in a continuously on state.





Packaging Information

SOT23-5



Symbol	Dimensions In Millimeters		Dimensions In Inches	
	Min	Max	Min	Max
A	0.889	1.295	0.035	0.051
A1	0.000	0.152	0.000	0.006
B	1.397	1.803	0.055	0.071
b	0.356	0.559	0.014	0.022
C	2.591	2.997	0.102	0.118
D	2.692	3.099	0.106	0.122
e	0.838	1.041	0.033	0.041
H	0.080	0.254	0.003	0.010
L	0.300	0.610	0.012	0.024

SOT-23-5 Surface Mount Package

X-ON Electronics

Largest Supplier of Electrical and Electronic Components

Click to view similar products for [LDO Voltage Regulators](#) category:

Click to view products by [LOWPOWER](#) manufacturer:

Other Similar products are found below :

[M38D29FFHP#U1](#) [702103A](#) [717726C](#) [742457H](#) [MP20051DN-LF-Z](#) [R5F111PGGFB#30](#) [AP7363-SP-13](#) [NCP103AMX285TCG](#)
[NCV8664CST33T3G](#) [NCV8752AMX28TCG](#) [L9454](#) [AP7362-HA-7](#) [LX13043CLD](#) [TCR3DF185,LM\(CT](#) [TCR3DF24,LM\(CT](#)
[TCR3DF285,LM\(CT](#) [TCR3DF31,LM\(CT](#) [TCR3DF45,LM\(CT](#) [TLF4949EJ](#) [L9708](#) [L970813TR](#) [030014BB](#) [059985X](#) [EAN61387601](#)
[EAN61573601](#) [NCP121AMX173TCG](#) [NCP4687DH15T1G](#) [NCV8703MX30TCG](#) [701326R](#) [702087BB](#) [755078E](#) [TCR2EN28,LF\(S](#)
[LM1117DT-1.8/NO](#) [LT1086CM#TRPBF](#) [AZ1085S2-1.5TRE1](#) [MAX15101EWL+T](#) [NCV8170AXV250T2G](#) [SCD337BTG](#)
[TCR3DF27,LM\(CT](#) [TCR3DF19,LM\(CT](#) [TCR3DF125,LM\(CT](#) [TCR2EN18,LF\(S](#) [MAX15103EWL+T](#) [TS2937CZ-5.0 C0](#) [MAX8878EUK30-](#)
[T](#) [MAX663CPA](#) [NCV4269CPD50R2G](#) [NCV8716MT30TBG](#) [AZ1117IH-1.2TRG1](#) [MP2013GQ-P](#)