



Product image for illustration purposes only

The easyRadio eRA-LoRa (Long Range) RF transceiver module uses Chirped Spread Spectrum (CSS) modulation together with DSP (Digital Signal Processing) to achieve greater range than traditional devices using OOK, FSK or GFSK modulation.

In addition, sensitivity and blocking performance are improved giving high interference immunity whilst still offering low power consumption.

The module is a complete sub-system that combines a high performance low power RF transceiver, a microcontroller and a voltage regulator.

Key operating parameters can be changed and configured by sending simple 'text' (ASCII character) commands to the module.

## Features

- Chirped Spread Spectrum technology
- Pin compatible with easyRadio Advanced (eRA) series RF modules
- uFL RF connector for remote antennas
- Point to Point communication
- Half duplex transparent Serial Data Input and Output
- Up to 180 bytes per packet
- Familiar easyRadio commands
- Built in temperature sensor
- 'Flash' firmware upgrades. New features and updates can be quickly programmed using LPRS tools

## Key Parameters

- Frequency: 868/915MHz
- Receiver sensitivity: down to -137dBm
- Multi-channel operation
- RF Power output: up to +20dBm (100mW)
- Receive current consumption: 15mA
- RSSI dynamic range: 127dB
- Line of Sight (LoS) range - 1km – 3km plus

## User Programmable Options:

- Spreading factors 6: to 12
- Error correction rate
- Bandwidth: 125, 250, 500kHz
- Over air data rates of up to 300 kbps
- Host Data Rate: 2.4kbps – 115.2kbps

The variable spreading factor and error correction rate allow the user to optimise the bandwidth to provide a balance between sensitivity (range) and data rate.

## Applications

- Required range is above 1km or transceiver is in poor RF location
- Suburban security alarms - void buildings, caravan or car storage sites, warehouses
- Rural security, farm buildings/equipment, livestock monitoring, remote irrigation pumps
- Data collection and monitoring over a wide area

---

**FCC Warning Statement:**

- This device complies with Part 15 of the FCC Rules. Operation is subject to the following two conditions:
  - (1) This device may not cause harmful interference, and
  - (2) This device must accept any interference received, including interference that may cause undesired operation.
- This equipment complies with FCC radiation exposure limits set forth for an uncontrolled environment. End users must follow the specific operating instructions for satisfying RF exposure compliance. This transmitter must not be co-located or operated in conjunction with any other antenna or transmitter.
- Changes or modifications not expressly approved by the party responsible for compliance could void the user's authority to operate the equipment.

**Canada Warning Statement:****English:**

Under Industry Canada regulations, this radio transmitter may only operate using an antenna of a type and maximum (or lesser) gain approved for the transmitter by Industry Canada.

To reduce potential radio interference to other users, the antenna type and its gain should be so chosen that the equivalent isotropically radiated power (e.i.r.p.) is not more than that necessary for successful communication.

This device complies with Industry Canada licence-exempt RSS standard(s). Operation is subject to the following two conditions: (1) this device may not cause interference, and (2) this device must accept any interference, including interference that may cause undesired operation of the device.

**French:**

Conformément à la réglementation d'Industrie Canada, le présent émetteur radio peut fonctionner avec une antenne d'un type et d'un gain maximal (ou inférieur) approuvé pour l'émetteur par Industrie Canada.

Dans le but de réduire les risques de brouillage radioélectrique à l'intention des autres utilisateurs, il faut choisir le type d'antenne et son gain de sorte que la puissance isotrope rayonnée équivalente (p.i.r.e.) ne dépasse pas l'intensité nécessaire à l'établissement d'une communication satisfaisante.

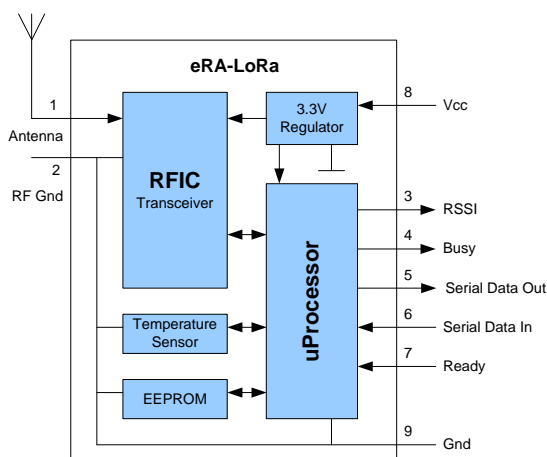
Le présent appareil est conforme aux CNR d'Industrie Canada applicables aux appareils radio exempts de licence. L'exploitation est autorisée aux deux conditions suivantes : (1) l'appareil ne doit pas produire de brouillage, et (2) l'utilisateur de l'appareil doit accepter tout brouillage radioélectrique subi, même si le brouillage est susceptible d'en compromettre le fonctionnement.

## eRA-LoRa Transceiver

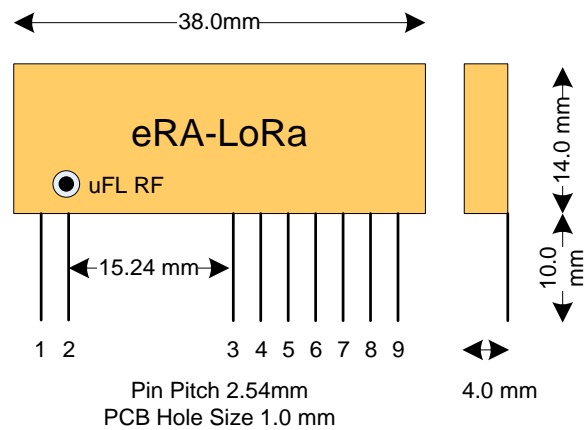
The easyRadio eRA-LoRa RF transceiver module is a complete sub-system that combines a high performance low power RF transceiver, a microcontroller and a voltage regulator.

The Serial Data Input (SDI) and Serial Data Output (SDO) by default operate at the standard 19,200 Baud and two handshake lines provide optional flow control to and from the host. The easyRadio Transceiver can accept and transmit up to 180 bytes of data, which it buffers internally before transmitting in an efficient over-air code format.

Any other eRA-Lora transceiver, within range and on the same settings, that 'hears' the transmission will decode the message and place the recovered data within a receive buffer that can then be downloaded to the receiving host for processing and interpretation. Radio transmission and reception is bi-directional (half duplex) i.e. transmit OR receive but not simultaneously. Extra internal buffers however, allow the user to upload data while a download is in progress giving the appearance of fully duplex data flow.



**Block Diagram**



**Physical Dimensions**

## Pin Description

Pin No	Name	Description	Notes
1	Antenna	50Ω RF input/output. Connect to suitable antenna.	
2	RF Ground	RF ground. Connect to antenna ground (coaxial cable screen braid) and local ground plane. Internally connected to other Ground pins.	
3	Programmable IO	Provisional	
4	Busy Output	Digital output indicates that transceiver is ready to receive serial data from host.	CTS function
5	Serial Data Out	Digital output for received serial data to host	
6	Serial Data In	Digital input for serial data to be transmitted	
7	Ready Input	Digital Input to indicate that Host is Ready to receive serial data from transceiver	RTS function
8	Vcc	Positive supply pin. +2.5 to +5.5 Volts. This should be a 'clean' noise free supply with less than 25mV of ripple.	
9	Ground	Connect to supply 0 Volt and ground plane	

## Checklist

The module operates internally from an on board 3.3 Volt low drop regulator. The logic levels of the input/output pins are therefore between 0 Volt and 3.3 Volts. Outputs will drive logic operating at 3.3 Volts and inputs will be correctly driven by logic operating at 5 Volts. Fit 10K resistors in series with data lines when interfacing to 5V logic.

The serial inputs and outputs are intended for connection to a UART or similar low voltage logic device. Do not connect any of the inputs or outputs directly to an RS232 port. The transceiver module may be permanently damaged by the voltages (+/- 12V) present on RS232 signal lines.

When handshaking is enabled the 'Host Ready Input' should be held at 0 Volt (Ground) in the idle state.

## Absolute Maximum Ratings

Operating Temperature Range	-40° C to +85° C
Storage Temperature Range	-40° C to +85° C
Vcc	- 0.3 to + 5.5 Volts
All Other Pins (N.B.)	- 0.3 to +3.3 Volts
Antenna	+10dBm - Should be protected to prevent damage from ESD

**Performance Data:** eRA-LoRa. Supply +5.0 Volt  $\pm$  5%, Temperature 20° C

DC Parameters	Pin	Min	Typical	Max	Units	Notes	
Supply Voltage (Vcc)	8	2.5	3.3-5.0	5.5	Volts		
Transmit supply current	8	18	90	125	mA	90mA at +17dBm 125mA at +20dBm	
Receive supply current	8		10	11.2	mA	2	
Sleep Mode current	8		1		$\mu$ A	4	
<b>Interface Levels</b>							
Data Output Logic 1			3.1		Volts	10k load to +Vcc supply	
Data Output Logic 0			0.1		Volts	10k load to +Vcc supply	
Logic Output Current				25	mA		
Data Input Logic 1		2.0		3.6	Volts		
Data Input Logic 0				0.2	Volts		
Input Pull-ups			100		K $\Omega$	1	
<b>RF Parameters</b>							
Antenna Impedance	1		50		Ohms		
RF Frequency		868	869.85	870	MHz	See ER Configuration command set	
		902	915	928	MHz		
<b>Transmitter</b>							
RF Power Output	1		+7	+7	dBm	868MHz - 50 $\Omega$ load	
	1		+17	+20	dBm	915MHz - 50 $\Omega$ load	
Frequency accuracy			$\pm$ 10		ppm	Overall	
Harmonics/Spurious Emissions			-47	< -36	dBm	Meets EN 300 220-3	
Over Air Data Rate				500	Kbps		
<b>Receiver</b>							
		<b>SF6</b>		<b>SF12</b>			
			-122		-137	dBm	At 125kHz bandwidth (SF 6 - 12)
			-119		-134	dBm	At 250kHz bandwidth
			-116		-131	dBm	At 500kHz bandwidth
Serial Data Rate		2.4	19.2	115.2	Kbps	Host interface	
<b>Logic Timing</b>							
Initial Power Up Time			1		mS	2,3	
<b>Mechanical</b>							
Size			38 x 14 x 4		mm		
Pin Pitch			2.54		mm	(Standard 0.1 Inches)	
Weight			3.5		grams		

## Notes:

1. The 'Host Ready Input' and the 'Serial Data Input' have 'weak' internal pull-ups enabled.
2. The transceiver will then be ready to receive (default) or transmit. It would normally be left in this powered state ready to receive data.
3. During power up the Busy Output line goes high and then goes low when ready for use.

## easyRadio eRA Configuration Command Set

Key operating parameters of eRA can be changed and configured by sending the 'text' (ASCII character) commands detailed below. These commands can be executed using 'easyRadio Companion' software, any 'Terminal' software operating on a PC or from the host microcontroller.

The commands should be sent exactly as shown: i.e. case sensitive with no spaces between characters. Commands are not executed until the Acknowledgement sequence (ACK) is sent to and processed by the module.

To send the commands follow this procedure:

Send Command from host: e.g. ER\_CMD#U5 (Set UART BAUD to 38400)

Wait for the completion of the echo of the Command from the module. e.g. ER\_CMD#U5

Send the ACK command as the three upper case ASCII characters 'A' 'C' 'K' in sequence with no spaces

Commands ending with '?' (see below) do not require any ACK.

Host Serial Communication Settings						
Command	UART Data Rate	✓	Tick Indicates Factory Default setting			
ER_CMD#U1	2400					
ER_CMD#U2	4800					
ER_CMD#U3	9600					
ER_CMD#U4	19200	✓				
ER_CMD#U5	38400					
ER_CMD#U6	31250		MIDI - Musical Instrument Digital Interface (Not supported by PC UARTS)			
ER_CMD#U7	76800		(Not supported by PC UARTS)			
ER_CMD#U8	115200					
ER_CMD#U?	Get UART Value		The module replies with the current UART data rate value E.g: ER_CMD#U2 - No 'ACK' is required			
ER_CMD#A70	No Parity	✓	Data = 1 Start, 8 Data, No Parity, 1 Stop			
ER_CMD#A71	Even Parity		Data = 1 Start, 8 Data, 1 Parity, 1 Stop			
ER_CMD#A72	Odd Parity		Data = 1 Start, 8 Data, 1 Parity, 1 Stop			
ER_CMD#A40	Disable Fast ACK	✓				
ER_CMD#A41	Enable Fast ACK		See notes below			
Transmit RF Power Output Settings						
			eRA-LoRa		Units	
			868	902-928	MHz	
ER_CMD#P0			-2	-1	dBm	
ER_CMD#P1			-1	1	dBm	
ER_CMD#P2			0	3	dBm	
ER_CMD#P3			1	5	dBm	
ER_CMD#P4			2	7	dBm	
ER_CMD#P5			3	9	dBm	
ER_CMD#P6			4	11	dBm	
ER_CMD#P7			5	13	dBm	
ER_CMD#P8			6	15	dBm	
ER_CMD#P9		✓	7	17	dBm	
ER_CMD#P?	Get Power Value		The module replies with the current power value. e.g: ER_CMD#P9 - No ACK is required.			
RF Channel Settings						
ER_CMD#Cx	Where x = Channel Number in decimal		E.g. For Channel 1: ER_CMD#C1 or ER_CMD#C01 (leading zero) or ER_CMD#C001 Uppercase 'C' stores value in EEPROM			
ER_CMD#cx	As uppercase C		Lowercase 'c' does not store value in EEPROM			
ER_CMD#C?	Get Channel Value		The module replies with the current channel setting E.g: ER_CMD#C9 - No ACK is required.			
Signal Bandwidth						

		Bandwidth			Data Rate @ S/F = 12		After sending these commands the Channel number will be reset to Channel 0
ER_CMD#B0	Set Signal Bandwidth		125	kHz	300	bps	
ER_CMD#B1			250	kHz	600	bps	
ER_CMD#B2		✓	500	kHz	1200	bps	
ER_CMD#B?	Get Signal Bandwidth						
<b>Band Plan</b>							
ER_CMD#b0	0	✓	869.850			MHz	Band base/start frequency
ER_CMD#b1	1		903.000			MHz	
<b>Frequency Settings</b>							
ER_CMD#F	Set Absolute Frequency		Sets the absolute frequency to xxxxxxxx in Hex E.g. ER_CMD#F33DCAC220 sets the radio frequency to 870100000Hz. This will override until another 'b' command is sent				Set Frequency of Channel 0
ER_CMD#F?	Get current Frequency value		Returns the current frequency value as 8 bytes of Hex E.g. ER_CMD#F? Returns 33DCAC20 which is 870100000MHz				Get Frequency of Channel 0
<b>Spreading Factor</b>							
	S/F	Chips	Bandwidth kHz			Data Rate	Coding Rate = 1 Increasing the value of the Spreading Factor and/or reducing the bandwidth increases the range at the expense of reduced data rate and therefore increased transmission time.
			125	250	500		
ER_CMD#s0	6	64	9375	18750	37500	bps	
ER_CMD#s1	7	128	5469	10938	21875	bps	
ER_CMD#s2	8	256	3125	6250	12500	bps	
ER_CMD#s3	9	512	1758	3516	7031	bps	
ER_CMD#s4	10	1024	✓ 977	1953	3906	bps	
ER_CMD#s5	11	2048	537	1074	2148	bps	
ER_CMD#s6	12	4096	293	586	1171	bps	
ER_CMD#s?	Get Spreading Factor						
<b>Miscellaneous</b>							
ER_CMD#R0	Reset Module (POR)		Reset module and retrieve all Power On Reset values				
ER_CMD#R1	Reset to Defaults		Restores all factory default settings				
ER_CMD#A10	Encryption Off	✓	LPRS Proprietary Encryption for P2P				
ER_CMD#A11	Encryption On						
ER_CMD#A50	Handshaking Off	✓					
ER_CMD#A51	Handshaking On						
ER_CMD#a00	RSSI Off	✓	Received Signal Strength Indicator				
ER_CMD#a01	RSSI On		Each received packet delivered is preceded by the 8 bit RSSI value of the received packet				
<b>Test Modes</b>							
ER_CMD#T3	Get Firmware Revision		Returns module firmware revision string E.g. eRA400TRS V3.6.23				
ER_CMD#T4	RAW Data Out		Output on the CTS pin				
ER_CMD#T7	Read on chip temperature Sensor		Example reply: -15.0°C or 23.7°C				
ER_CMD#T8	Last Packet RSSI		Returns the Hex value of the RSSI (Received Signal Strength Indicator) register measured on the last valid packet				
ER_CMD#T9	RSSI Value		Return current live RSSI in HEX string				
<b>Other Special Commands</b>							
ER_CMD#L40202	Enable RAW Data FM mode		Use FM/FSK modulation/demodulation at current frequency settings				
ER_CMD#L40205	Enable RAW Data AM mode		Use AM/ASK modulation/demodulation at current frequency settings				
ER_CMD#L40200	Disable RAW Data mode		Restore easyRadio mode. Pin 3 low during Power On Reset				
ER_CMD#a21	Enable LBT		Listen Before Talk				
ER_CMD#a20	Disable LBT	✓	Listen Before Talk				
ER_CMD#L8	Encryption						
<b>Group ID Setting</b>							

ER_CMD#L7 xxxx	Enable Group ID		E.g. ER_CMD#L74578 sets the group ID as 0x4578
ER_CMD#L7 0000	Disable Group ID		
ER_CMD#L7?	Get Group ID value		Returns the 4 byte Group ID number in Hex

### Channel Frequencies

Each channel frequency is calculated relative to the Start Frequency of the channel, the Channel Number and the Channel Spacing/Band width.

Three commands control the values of each of these parameters:

ER_CMD#bn	Where n is the Start Frequency in MHz of the Band Plan being used	b
ER_CMD#Cn	Where n is the integer Channel Number	c
ER_CMD#Bn	Where n is the Channel Spacing/Bandwidth in kHz	s

The centre frequency of each channel is calculated using the formula:

$$\text{Centre Frequency (f)} = b + cs + \frac{s}{2}$$

#### Where

Band plan Start Frequency  
Channel Number  
Channel Spacing/Bandwidth

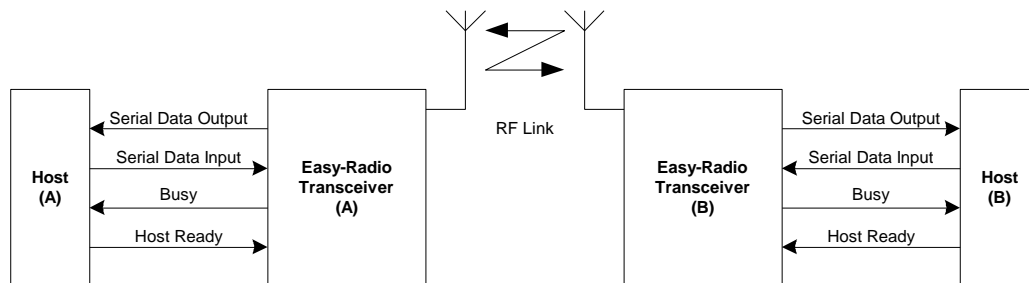
#### Example

b = 0  
c = 1  
s = 500kHz

$$f = 869.850\text{MHz} + 1 \times 500\text{kHz} + 500\text{kHz}/2 = \mathbf{870.600\text{MHz}}$$

## Application & Operation of eRA-LoRa Transceiver

The diagram below shows a typical system block diagram comprising hosts (user's application) connected to easyRadio transceivers. The hosts (A & B) will be monitoring (collecting data) and/or controlling (sending data) to some real world application.



**Typical System Block Diagram**

The hosts provide serial data input and output lines and two 'handshaking' lines that control the flow of data to and from the easyRadio Transceivers. The 'Busy' output line, when active, indicates that the transceiver is undertaking an internal task and is not ready to receive serial data. The 'Host Ready' input is used to indicate that the host is ready to receive the data held in the buffer of the easyRadio Transceiver.

The host should check before sending data that the 'Busy' line is not high, as this would indicate that the transceiver is unable to reliably receive further data. It should also pull the 'Host Ready' line low and check that no data appears on the Serial Data Output line.

The Busy output is active all the time regardless of handshaking setting. The host Ready is enabled by the handshaking setting command.

Timing Specifications		Units	Notes
Host Serial Input/Output	2400, 4800, 9600, 19200, 38400, 31250 (MIDI), 76800 & 115200	baud	1
Host Character Format	1 Start, 8 Data, No Parity, 1 Stop	Bits	2
End of Data Delay	2 x BAUD Byte Duration	mS	3
RF Transmit duration	Depends on Bandwidth and data rate setting	mS	4
Buffer Size	180	Bytes	5

### Notes

1. Data is inverted i.e. Start Bit is logic low. The inputs are intended for direct connection to a microcontroller UART or to RS232 inputs and outputs via an RS232 Level translator such as a Maxim MAX232, which invert the logic of the RS232 signals. This allows direct connection to, for example a microcontroller UART. The data rate is user programmable (Default 19200 baud) and may differ between individual units within a system.
2. 1 start, 8 data, 1 stop = 10 bits @ 104uS/bit = 0.52mS/character at 19200 Baud. (Default)
3. The 'End of Data' delay is fixed at twice the character time.
4. A fixed package overhead of xx is added to all packets.
5. The buffer size is limited to 180 bytes. Sending more than 180 bytes will cause loss of data.
6. CTS pin will go high 2 bytes before the buffer is full. This allows characters already sent to be accepted by the ER module.



## Product Order Codes

Name	Description	Order Code
eRA-LoRa	CE/FCC/IC Certified Radio Module	ERA-LORA

Please contact the sales office for availability of variants of the standard product. The software interface can be customised to specific requirements for high volume applications.

## easyRadio Advanced Firmware Versions

Version	Date	Revision	Known Issues
3.6.2XXX	January 2016	Initial Release	

## Document History

Issue	Date	Revision
1.0	February 2016	Provisional datasheet
1.1	August 2016	Amendments for Approvals
1.2	December 2016	Minor additions
1.22	February 2017	New easyRadio Companion commands added

## Changes to this Document

This data sheet has been updated to reflect changes throughout the range of LPRS modules. Specific changes are recorded in the documentation history above.

## Copyright

See: [www.lprs.co.uk](http://www.lprs.co.uk)

## Disclaimer

See: [www.lprs.co.uk](http://www.lprs.co.uk)

## Terms and Conditions of Use

See: [www.lprs.co.uk](http://www.lprs.co.uk)

## Contact Information

For further information or technical assistance please contact:

## X-ON Electronics

Largest Supplier of Electrical and Electronic Components

*Click to view similar products for [Sub-GHz Modules](#) category:*

*Click to view products by [LPRS](#) manufacturer:*

Other Similar products are found below :

[HMC-C024](#) [nRF24L01P-MODULE-SMA](#) [CMD-KEY2-418-CRE](#) [V640-A90](#) [SM1231E868](#) [HMC-C582](#) [SM-MN-00-HF-RC](#) [HMC-C031](#)  
[LoRa Node Kit\(US\)](#) [Sierra HL7588 4G KIT\(US\)](#) [WISE-4610-S672NA](#) [EC21AUFA-MINIPCIE](#) [EC21EUGA-MINIPCIE](#) [CS-EASYSWITCH-](#)  
[25](#) [EC21JFB-MINIPCIE](#) [DL-RFM96-433M](#) [Ra-07H-V1.1](#) [Ra-07](#) [Ra-01SH](#) [Ra-01S-T](#) [Ra-01SH-T](#) [CMD-HHCP-418-MD](#) [CMD-HHCP-433-](#)  
[MD](#) [CMD-HHLR-418-MD](#) [2095000000200](#) [XB9X-DMRS-031](#) [20911051101](#) [COM-13909](#) [HMC-C033](#) [COM-13910](#) [WRL-14498](#)  
[SX1276RF1KAS](#) [HMC-C011](#) [HMC-C014](#) [HMC-C050](#) [HMC-C001](#) [HMC-C006](#) [HMC-C030](#) [HMC-C021](#) [HMC-C041](#) [HMC-C042](#) [HMC-](#)  
[C048](#) [HMC-C051](#) [HMC-C071](#) [HMC-C072](#) [HMC-C088](#) [A2500R24C00GM](#) [702-W](#) [HUM-900-PRC](#) [ISP4520-EU-ST](#)