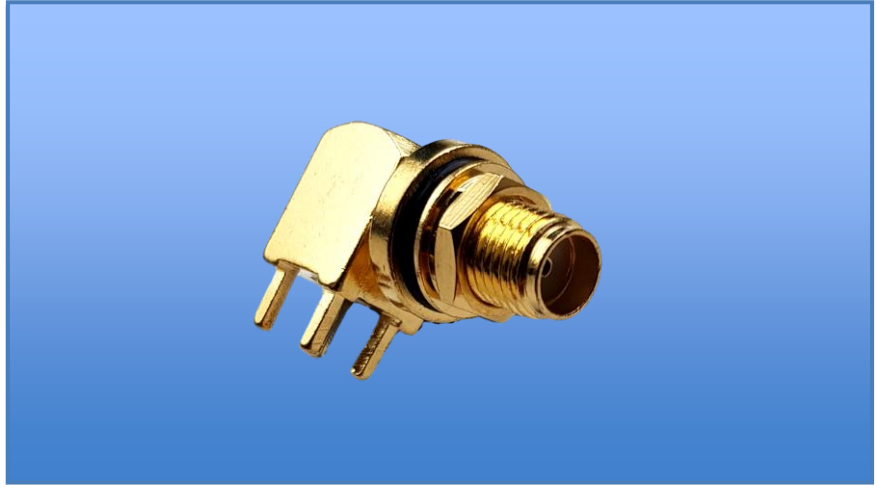


# Product Overview

## SMARA Waterproof Connector

### Gold Plated Right Angled SMA Coaxial Connector PCB Bulkhead



**A right-angled SMA female RF coaxial connector for  
SMA male antennas and cables.**

Impedance: 50Ω.

Connector mounting: PCB mount.

Working voltage: 335V Max.

Durability: 500 cycles minimum.

Dielectric withstand voltage- 1000V rms.

Frequency range – DC-12.4GHz.

Temperature range - -65°C to 165°C.

#### **Materials and Coatings:**

Body: Brass with Gold Coating.

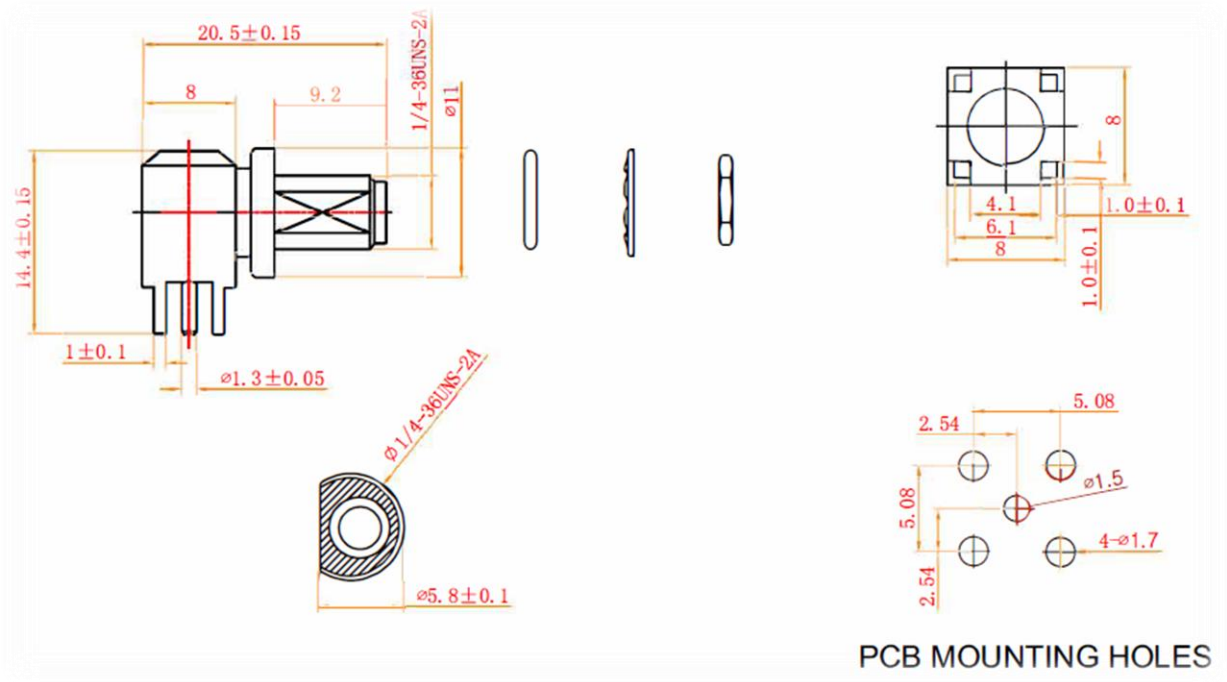
Contact Pin: Beryllium Copper, Gold Plating.

Insulator: PTFE.

Weight: 8g



Dimensions in mm:



## Ordering information

Name	Description	Order Code
Right-angled waterproof SMA Female connector	Right-angled waterproof SMA Female connector PCB bulkhead	SMARACONNECTOR-WP
Date	Notes	
07 June 2023	Document version: v1.1	Added version number



**Low Power Radio Solutions Ltd**  
 Two Rivers industrial Estate  
 Station Lane, Witney OX28 4BH, UK  
 +44(0) 1993 709418  
 sales@lprs.co.uk

## X-ON Electronics

Largest Supplier of Electrical and Electronic Components

*Click to view similar products for [RF Connectors](#) / [Coaxial Connectors](#) category:*

*Click to view products by [LPRS](#) manufacturer:*

Other Similar products are found below :

[89674-0827](#) [6059674-1](#) [630059-000](#) [6501-1071-002](#) [6769](#) [7002-1541-010](#) [7002-1572-002](#) [7004-1512-000](#) [7009-1511-004](#) [7101-1541-010](#)  
[7101-1571-002](#) [7105-1521-002](#) [7203-1571-003](#) [7209-1511-011](#) [7210-1511-040](#) [7242-1511-000](#) [7405-1521-005](#) [7405-1521-802](#)  
[804S01D04M040](#) [8527](#) [8547](#) [FS11V](#) [877931](#) [8808-1511-001](#) [9049-9513-000](#) [9074-9513-000](#) [PL11C-026](#) [PL40-36](#) [9408-1113-000](#) [980-](#)  
[8666-005](#) [11 SMA-50-2-6 / 111 NE](#) [11 SMA-50-3-6 / 111 NE](#) [1-201144-1](#) [120919](#) [R107003010W](#) [R112186000](#) [R113053000W](#) [R113082097](#)  
[R113236000](#) [R114083000](#) [R114670000W](#) [R123415000W](#) [R124076320](#) [R124076450](#) [R124175123](#) [R125075000W](#) [R125075001](#)  
[R125172000W](#) [R125415030](#) [R141007161](#)