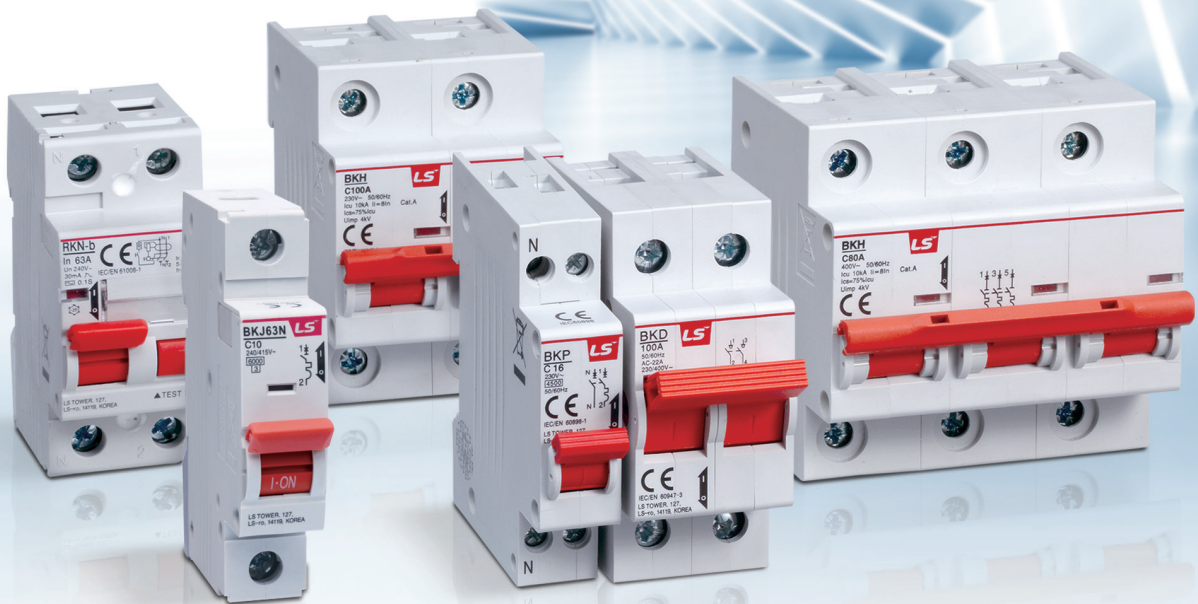


Top 100
Global
Innovator
for 10 years

Miniature Circuit Breakers & Residual Current Devices



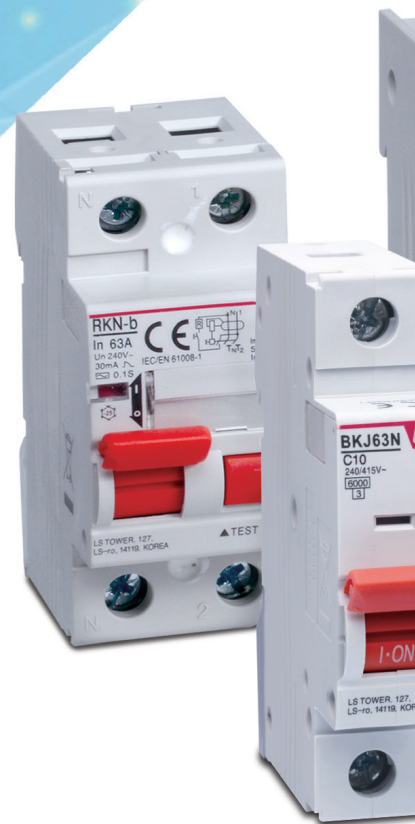
LS ELECTRIC

MCB & RCCB

Miniature Circuit Breakers & Residual Current Devices

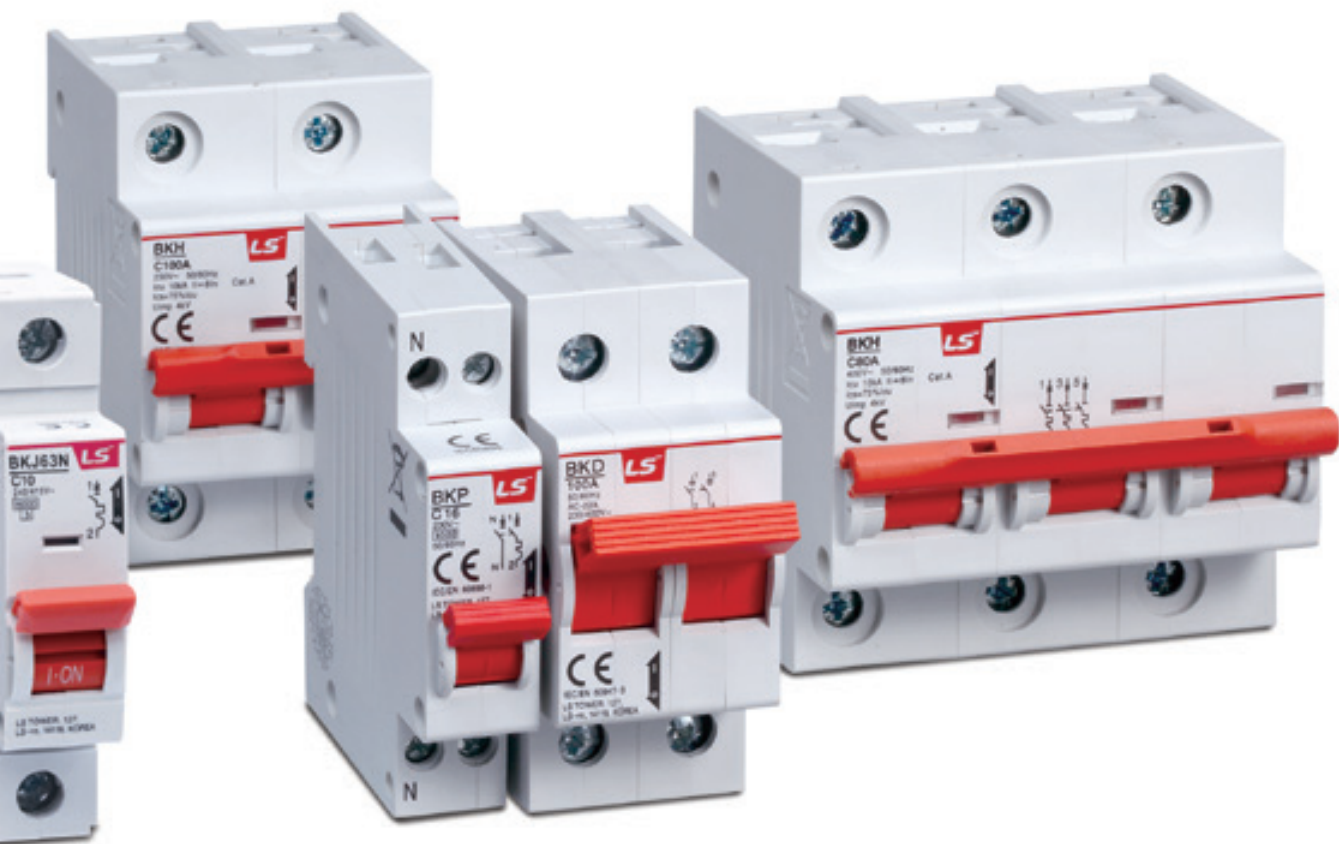
The best solution for perfect safety environment,
customer satisfaction through best quality and service,
LS produces the world's best products.

Suitable for protection against overload & short circuit(BKJ63N, BKH, BKP, BF series)
ground fault & over circuit(RKP, RKS) ground fault(RKN) surge protect device(BKS)
1, 2, 3, 4 poles & isolator 35mm DIN rail mounting & Plug-in types rated voltage
230/400V characteristics: B, C, D according to IEC 60898-1 for MCB accessories:
auxiliary switch CE, KEMA, SEMKO, CQC/CCC, SABS, SASO, GOST, UL1077, SNI



Contents


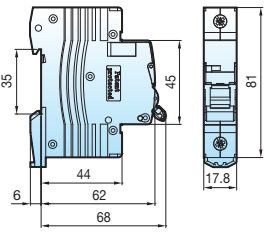
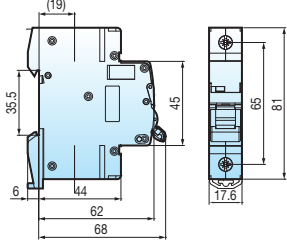
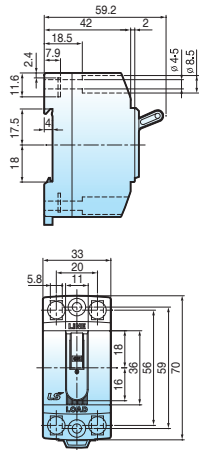
- 04 Quick selection table
- 08 Main characteristics
 - 08 MCB-Miniature Circuit Breakers
 - 33 RCBO-Residual Current Circuit Breakers with Overcurrent protection
 - 44 RCCB-Residual Current Circuit Breakers
 - 48 Isolator
 - 49 60mm depth Miniature Circuit Breakers
 - 51 Standard busbars
- 52 Characteristics curves & temperature compensation
- 55 Overall dimensions



Miniature Circuit Breakers

1, 2, 3 and 4pole series up to 125AF [IEC 60898-1, IEC 60947-2]



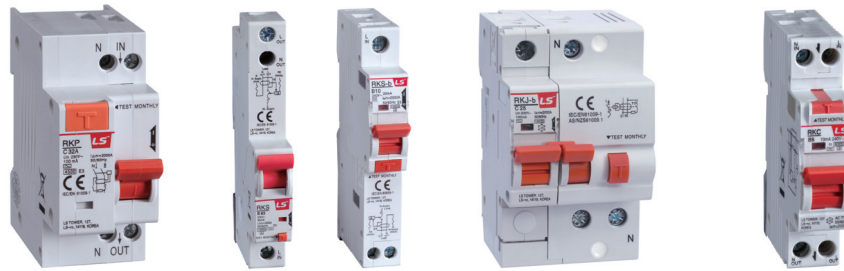
Type	MCB					
	BKJ63N	BKJ63Nd	BKN-b		BS32c	BS32d
Protection	Overload and short circuit		Overload and short circuit		Overload and short circuit	
Rated current	1, 2, 3, 4, 6, 10, 13, 16, 20, 25, 32, 40, 50, 63A		1, 2, 3, 4, 6, 10, 16, 20, 25, 32, 40, 50, 63A		6, 10, 15, 20, 30A	10, 15, 20, 30A
Characteristic	B, C, D curve		B, C, D curve		-	-
Poles	1P, 1P+N, 2P, 3P, 3P+N, 4P		1P, 1P+N, 2P, 3P, 3P+N, 4P		-	-
Breaking capacity	1pole	2~4pole	1pole	2~4pole	2pole	
	1A ~ 63A 6kA at 240/415VAC	1A ~ 63A 6kA at 415VAC	1A ~ 63A 10kA at 240/415VAC	1A ~ 63A 10kA at 415VAC	1.5kA	2.5kA
Standard	IEC 60898-1, IEC 60947-2		IEC 60898-1, IEC 60947-2		IEC 60898-1, KS	
Approval	-		KEMA CB, SABS, CE		CCC	-
Type of trip	Thermal magnetic release		Thermal magnetic release		-	-
Endurance	Electrical	10,000 operations	4,000 operations		4,000 operations	
	Mechanical	20,000 operations	10,000 operations		10,000 operations	
Mount	On 35mm DIN rail		On 35mm DIN rail		DIN rail / Screw	
Width	17.8mm per pole		17.8mm per pole		33mm per pole	
Terminal	Lug type (Cable up to 25mm ²)	Dual type (Lug & Screw)	Lug type (Cable up to 25mm ²)		Screw clamp type (Cable up to 5.5mm ²)	
Auxiliary switch, AX & AL Optional			1 changeover contact 6A at 240VAC, 3A at 415VAC (AX/ AL) 6A at 24VDC, 2A at 48VDC, 1A at 130VDC Lug terminal Cable capacity 0.75~2.5mm ² 8.8mm wide			
Dimension						
Characteristic curve	See page 52		See page 52		See page 54	
Remarks	-		-		-	



		MCB			
		BKH	BKP	BF-a	BFN
		Overload and short circuit	Overload and short circuit	Overload and short circuit	Overload and short circuit
		63, 80, 100, 125A	3, 6, 10, 16, 20, 25, 32A	10~100A	5, 10, 15, 20, 30, 40, 50A
		C, D curve	B, C, D curve	-	-
		1P, 2P, 3P, 3P+N, 4P	1P+N	1p, 2p, 3p	1p, 2p, 3p
		1pole 2~4pole	-	-	1pole 2~3pole
		63A ~ 125A 10kA at 230VAC	3A ~ 32A 4.5kA at 230VAC	10A~100A 10kA at 240VAC 2.5kA at 415VAC	5A~50A 10kA at 230VAC 5A~50A 10kA at 400VAC
		IEC 60947-2	IEC 60898-1	IEC 60947-2	IEC 60947-2
		CCC, SEMKO CB, SABS, CE	CCC, SEMKO CB, SABS, CE	-	SEMKO CB, CE
		Thermal magnetic release	Thermal magnetic release	Thermal magnetic release	Thermal magnetic release
		1,500 operations	4,000 operations	1,500 operations	1,500 operations
		10,000 operations	10,000 operations	10,000 operations	10,000 operations
		On 35mm DIN rail	On 35mm DIN rail	Holder mounting (Bolt on with fixing brackets)	Plug-in
		27mm per pole	17.8mm	25mm per pole	25mm per pole
		Lug type (Cable up to 50mm ²)	Lug type (Cable up to 10mm ²)	Clamp type	Lug type (14-6 AWG.)
		See page 52	See page 52	See page 53	See page 54
		IEC 60947-2 (SABS)	-	-	-

Residual Current Circuit Breakers

1, 2 and 4pole series up to 125AF



Type	RCBO					
	RKP	RKS	RKS-b	RKJ	RKJ-b	
Protection	Ground fault and overcurrent	Ground fault and overcurrent		Ground fault and overcurrent		Ground fault and overcurrent
Rated current	3 (C, D curve), 6, 10, 16, 20, 25, 32A (B, C, D curve)	6, 10, 16, 20, 25, 32A (40, 50A) * (B, C curve)		1, 2, 3, 4, 5, 6, 10, 16, 20, 25, 32, 40, 50, 63(B, C, D curve)		6, 10, 16, 20, 25, 32A (B, C curve)
Rated residual current	-	-		-		-
Operating, $I_{\Delta n}$	30, 100, 300mA (Non-adjustable)	30, 100mA (Non-adjustable)		30, 100, 300mA (Non-adjustable)		10, 30mA (Non-adjustable)
Non-operating, $I_{\Delta no}$	0.5I $_{\Delta n}$	0.5I $_{\Delta n}$		0.5I $_{\Delta n}$		0.5I $_{\Delta n}$
Poles	1P+N	1P+N		1P+N, 2P, 3P, 3P+N, 4P		1P+N
Rated voltage	230VAC	230VAC	240VAC	230VAC		240VAC
Residual current off-time	≤0.1 sec.	≤0.3 sec.		≤0.1 sec.		≤0.1 sec
Standard	IEC 61009	IEC 61009		IEC61009-1		IEC 61009
Approval	CCC, SEMKO CB, CE, SABS	SEMKO CB, CE, SABS	SEMKO CB, CE	SEMKO CB		SEMKO CB, CE
Type of trip	-	-		-		-
Ground fault	Electronic	Electronic		Electro-magnetic		Electronic
Overcurrent	Thermal-magnetic	Thermal-magnetic		Thermal-magnetic		Thermal-magnetic
Breaking capacity	4.5kA	10kA		6kA	10kA	6kA (32A 4.5kA)
Conditional short circuit capacity	-	-		-		-
Endurance	Electrical	4,000 operations		4,000 operations		4,000 operations
Mechanical	10,000 operations	10,000 operations		10,000 operations		10,000 operations
Mount	On 35mm DIN rail	On 35mm DIN rail		On 35mm DIN rail		On 35mm DIN rail
Width	35.6mm	18mm		17.8mm		18mm
Terminal	Lug type (Cable up to 10mm ²)	Lug type (Cable up to 10mm ²)		Lug type (Cable up to 25mm ²)		Lug type (Cable up to 10mm ²)
Type of operation	AC	AC		A/AC		A/AC
Dimension						
Characteristic curve	See page 52	See page 52				-

* 40, 50A are available only for RKS-b



	RCBO			RCCB			Isolator		
	32KGRc	32KGRd	32GRh		RKN	RKN-b		BKD	
	Ground fault and overcurrent		Ground fault and overcurrent		Ground fault			-	
	15, 20, 30A		N type	S type	H type	25, 32, 40, 63A	63AF 25, 40, 63A	100AF 80, 100A	40, 50, 63, 80, 100, 125A
	-		-		-			-	
	15, 30mA (Non-adjustable)		15, 30mA (Non-adjustable)		30, 100, 300mA (Non-adjustable)			-	
	0.5I _{Δn}		0.5I _{Δn}		0.5I _{Δn}			-	
	2pole		2pole		1P+N, 3P+N			1p, 2p, 3p, 4p	
	110/240VAC		110/220/230VAC		240VAC (1P+N), 240/415V (3P+N)			230/400VAC	
	≤0.03 sec		≤0.03 sec		≤0.1 sec			-	
	IEC 61009, KS		CB(IEC60947/IEC61009-1)		IEC 61008			IEC 60947-3	
	CCC		-		SEMKO CB, CE, SABS, CCC	SEMKO CB, CE, SABS		SABS, SEMKO CB	
	-		-		-			-	
	Electronic Bimetallic		Electronic Bimetallic		Electro-magnetic N.A			-	
	1.5kA	2.5kA	1.5kA	2.5kA	3.5kA	-		-	
	-		-		6kA			10kA	
	4,000 operations		4,000 operations		4,000 operations			1,500 operations (125A 1,000 operations)	
	10,000 operations		10,000 operations		10,000 operations			10,000 operations	
	On 35mm DIN rail / Screw		On 35mm DIN rail / Screw		On 35mm DIN rail			On 35mm DIN rail	
	35mm		32mm		-			17.8mm per pole	
	Screw clamp type (Cable up to 5.5mm ²)		Screw clamp type (Cable up to 5.5mm ²)		Lug type (Cable up to 35mm ²)			Lug type (Cable up to 50mm ²)	
	-		-		A/AC	A/AC	AC	-	
								-	

Miniature Circuit Breakers

DIN rail mounting



BKP 1P+N

BKP type



Technical data

Standard	Confirming to IEC 60898-1
Approval	CCC, SEMKO CB, CE, SABS
Protection	Overload and short circuit
Rated current	3, 6, 10, 16, 20, 25, 32A
Rated voltage	230VAC
Breaking capacity	4.5kA
Characteristic	B, C, D curve
Number of poles	1P+N
Rated insulation voltage [Ui]	500V
Rated impulse withstand voltage [Uimp]	4kV
Type of trip	Thermal magnetic release
Type of terminal	Lug type
Terminal capacity	Cables up to 10mm ²
Installation	Mounting on 35mm DIN rail
Width	17.8mm per pole
Electrical endurance	4,000 operations

Order No.

Pole	Type	In	Model	Order No.	Pack. unit (Pcs.)	Price	
1P+N	B curve	3A	BKP B3A	06120302R0	120		
		6A	BKP B6A	06120228R0	120		
		10A	BKP B10A	06120229R0	120		
		16A	BKP B16A	06120230R0	120		
		20A	BKP B20A	06120231R0	120		
		25A	BKP B25A	06120303R0	120		
	C curve	3A	BKP C3A	06120307R0	120		
		6A	BKP C6A	06120235R0	120		
		10A	BKP C10A	06120236R0	120		
		16A	BKP C16A	06120237R0	120		
		20A	BKP C20A	06120238R0	120		
		25A	BKP C25A	06120309R0	120		
	D curve	3A	BKP D3A	06120308R0	120		
		6A	BKP D6A	06120242R0	120		
		10A	BKP D10A	06120243R0	120		
		16A	BKP D16A	06120244R0	120		
		20A	BKP D20A	06120245R0	120		
		25A	BKP D25A	06120311R0	120		
			32A	BKP D32A	06120246R0	120	



BkJ63N 2P

BkJ63N type



Technical data

Standard	Confirming to IEC 60898-1, 60947-2
Protection	Against overload and short circuit
Rated current [In]	1, 2, 3, 4, 6, 10, 13, 16, 20, 25, 32, 40, 50, 63A
Rated voltage [Ue]	1pole 240/415VAC 50/60Hz 1pole+N 240VAC 50/60Hz 2~4pole 415VAC 50/60Hz
Ambient temperature	-5°C ~ +40°C
Breaking capacity	6kA
Characteristic	B, C, D curve
Number of poles	1P, 1P+N, 2P, 3P, 3P+N and 4P
Rated insulation voltage [Ui]	500V
Rated impulse withstand voltage [Uimp]	4kV
Type of trip	Thermal-magnetic release
Type of terminal	Lug type
Terminal capacity	Cables up to 25mm ²
Installation	Mounting on 35mm DIN rail
Width	17.8mm per pole
Electrical endurance	10,000 operations

Optional accessories ... Auxiliary switch, AX



Composition	Consists of 1 changeover contact	
Rating	AC circuit 6A at 240VAC 3A at 415VAC	DC circuit 2A at 48VDC 1A at 130VDC
Type of terminal	Lug type	
Terminal capacity	Cables up to 2.5mm ²	
Width	9mm	

Optional accessories ... Auxiliary switch, AL

Composition	Consists of 1 changeover contact	
Rating	AC circuit 6A at 230VAC 3A at 415VAC	DC circuit 2A at 48VDC 1A at 130VDC
Type of terminal	Lug type	
Terminal capacity	Cables up to 2.5mm ²	
Width	9mm	



Optional accessories. SHT, OVT/UVT

SHT-b	Rated voltage (Ue)	AC 110~415V
	Operate voltage range	70~110% Ue
U/OVT-b	Rated voltage (Ue)	AC 230V
	Over-voltage tripping range	AC 280V ±5%
	Under-voltage tripping range	AC 170V ±5%
Electric-mechanical endurance	10,000 operations	
Terminal	MS screw (cable up to 25mm ²)	
Width	18mm	

*SHT or UVT accessory are not tripped when zero voltage

Miniature Circuit Breakers

DIN rail mounting

BKJ63N type, B curve



6kA at 240/415VAC



BKJ63N 1P

In	Model	Order No.	Pack. unit (Pcs.)	Price
1A	BKJ63N 1P B1 NEW ROGY	06112360R0	120	
2A	BKJ63N 1P B2 NEW ROGY	06112361R0	120	
3A	BKJ63N 1P B3 NEW ROGY	06112362R0	120	
4A	BKJ63N 1P B4 NEW ROGY	06112363R0	120	
6A	BKJ63N 1P B6 NEW ROGY	06112364R0	120	
10A	BKJ63N 1P B10 NEW ROGY	06112365R0	120	
13A	BKJ63N 1P B13 NEW ROGY	06112366R0	120	
16A	BKJ63N 1P B16 NEW ROGY	06112367R0	120	
20A	BKJ63N 1P B20 NEW ROGY	06112368R0	120	
25A	BKJ63N 1P B25 NEW ROGY	06112369R0	120	
32A	BKJ63N 1P B32 NEW ROGY	06112370R0	120	
40A	BKJ63N 1P B40 NEW ROGY	06112371R0	120	
50A	BKJ63N 1P B50 NEW ROGY	06112372R0	120	
63A	BKJ63N 1P B63 NEW ROGY	06112373R0	120	

6kA at 240VAC



BKJ63N 1P+N

In	Model	Order No.	Pack. unit (Pcs.)	Price
A	BKJ63N 1P+N B1 NEW ROGY	06122591R0	60	
2A	BKJ63N 1P+N B2 NEW ROGY	06122592R0	60	
3A	BKJ63N 1P+N B3 NEW ROGY	06122593R0	60	
4A	BKJ63N 1P+N B4 NEW ROGY	06122594R0	60	
6A	BKJ63N 1P+N B6 NEW ROGY	06122595R0	60	
10A	BKJ63N 1P+N B10 NEW ROGY	06122596R0	60	
13A	BKJ63N 1P+N B13 NEW ROGY	06122597R0	60	
16A	BKJ63N 1P+N B16 NEW ROGY	06122598R0	60	
20A	BKJ63N 1P+N B20 NEW ROGY	06122599R0	60	
25A	BKJ63N 1P+N B25 NEW ROGY	06122600R0	60	
32A	BKJ63N 1P+N B32 NEW ROGY	06122601R0	60	
40A	BKJ63N 1P+N B40 NEW ROGY	06122602R0	60	
50A	BKJ63N 1P+N B50 NEW ROGY	06122603R0	60	
63A	BKJ63N 1P+N B63 NEW ROGY	06122604R0	60	

6kA at 415VAC



BKJ63N 2P

In	Model	Order No.	Pack. unit (Pcs.)	Price
1A	BKJ63N 2P B1 NEW ROGY	06122633R0	60	
2A	BKJ63N 2P B2 NEW ROGY	06122634R0	60	
3A	BKJ63N 2P B3 NEW ROGY	06122635R0	60	
4A	BKJ63N 2P B4 NEW ROGY	06122636R0	60	
6A	BKJ63N 2P B6 NEW ROGY	06122637R0	60	
10A	BKJ63N 2P B10 NEW ROGY	06122638R0	60	
13A	BKJ63N 2P B13 NEW ROGY	06122639R0	60	
16A	BKJ63N 2P B16 NEW ROGY	06122640R0	60	
20A	BKJ63N 2P B20 NEW ROGY	06122641R0	60	
25A	BKJ63N 2P B25 NEW ROGY	06122642R0	60	
32A	BKJ63N 2P B32 NEW ROGY	06122643R0	60	
40A	BKJ63N 2P B40 NEW ROGY	06122644R0	60	
50A	BKJ63N 2P B50 NEW ROGY	06122645R0	60	
63A	BKJ63N 2P B63 NEW ROGY	06122646R0	60	

BKJ63N type, B curve



6kA at 415VAC



BKJ63N 3P

In	Model	Order No.	Pack. unit (Pcs.)	Price
1A	BKJ63N 3P B1 NEW ROGY	06131171R0	60	
2A	BKJ63N 3P B2 NEW ROGY	06131172R0	60	
3A	BKJ63N 3P B3 NEW ROGY	06131173R0	60	
4A	BKJ63N 3P B4 NEW ROGY	06131174R0	60	
6A	BKJ63N 3P B6 NEW ROGY	06131175R0	60	
10A	BKJ63N 3P B10 NEW ROGY	06131176R0	60	
13A	BKJ63N 3P B13 NEW ROGY	06131177R0	60	
16A	BKJ63N 3P B16 NEW ROGY	06131178R0	60	
20A	BKJ63N 3P B20 NEW ROGY	06131179R0	60	
25A	BKJ63N 3P B25 NEW ROGY	06131180R0	60	
32A	BKJ63N 3P B32 NEW ROGY	06131181R0	60	
40A	BKJ63N 3P B40 NEW ROGY	06131182R0	60	
50A	BKJ63N 3P B50 NEW ROGY	06131183R0	60	
63A	BKJ63N 3P B63 NEW ROGY	06131184R0	60	

6kA at 415VAC



BKJ63N 3P+N

In	Model	Order No.	Pack. unit (Pcs.)	Price
1A	BKJ63N 3P+N B1 NEW ROGY	06141952R0	30	
2A	BKJ63N 3P+N B2 NEW ROGY	06141953R0	30	
3A	BKJ63N 3P+N B3 NEW ROGY	06141954R0	30	
4A	BKJ63N 3P+N B4 NEW ROGY	06141955R0	30	
6A	BKJ63N 3P+N B6 NEW ROGY	06141956R0	30	
10A	BKJ63N 3P+N B10 NEW ROGY	06141957R0	30	
13A	BKJ63N 3P+N B13 NEW ROGY	06141958R0	30	
16A	BKJ63N 3P+N B16 NEW ROGY	06141959R0	30	
20A	BKJ63N 3P+N B20 NEW ROGY	06141960R0	30	
25A	BKJ63N 3P+N B25 NEW ROGY	06141961R0	30	
32A	BKJ63N 3P+N B32 NEW ROGY	06141962R0	30	
40A	BKJ63N 3P+N B40 NEW ROGY	06141963R0	30	
50A	BKJ63N 3P+N B50 NEW ROGY	06141964R0	30	
63A	BKJ63N 3P+N B63 NEW ROGY	06141965R0	30	

6kA at 415VAC



BKJ63N 4P

In	Model	Order No.	Pack. unit (Pcs.)	Price
1A	BKJ63N 4P B1 NEW ROGY	06141994R0	30	
2A	BKJ63N 4P B2 NEW ROGY	06141995R0	30	
3A	BKJ63N 4P B3 NEW ROGY	06141996R0	30	
4A	BKJ63N 4P B4 NEW ROGY	06141997R0	30	
6A	BKJ63N 4P B6 NEW ROGY	06141998R0	30	
10A	BKJ63N 4P B10 NEW ROGY	06141999R0	30	
13A	BKJ63N 4P B13 NEW ROGY	06142000R0	30	
16A	BKJ63N 4P B16 NEW ROGY	06142001R0	30	
20A	BKJ63N 4P B20 NEW ROGY	06142002R0	30	
25A	BKJ63N 4P B25 NEW ROGY	06142003R0	30	
32A	BKJ63N 4P B32 NEW ROGY	06142004R0	30	
40A	BKJ63N 4P B40 NEW ROGY	06142005R0	30	
50A	BKJ63N 4P B50 NEW ROGY	06142006R0	30	
63A	BKJ63N 4P B63 NEW ROGY	06142007R0	30	

Miniature Circuit Breakers

DIN rail mounting

BKJ63N type, C curve



6kA at 240/415VAC



BKJ63N 1P

In	Model	Order No.	Pack. unit (Pcs.)	Price
1A	BKJ63N 1P C1 NEW ROGY	06112374R0	120	
2A	BKJ63N 1P C2 NEW ROGY	06112375R0	120	
3A	BKJ63N 1P C3 NEW ROGY	06112376R0	120	
4A	BKJ63N 1P C4 NEW ROGY	06112377R0	120	
6A	BKJ63N 1P C6 NEW ROGY	06112378R0	120	
10A	BKJ63N 1P C10 NEW ROGY	06112379R0	120	
13A	BKJ63N 1P C13 NEW ROGY	06112380R0	120	
16A	BKJ63N 1P C16 NEW ROGY	06112381R0	120	
20A	BKJ63N 1P C20 NEW ROGY	06112382R0	120	
25A	BKJ63N 1P C25 NEW ROGY	06112383R0	120	
32A	BKJ63N 1P C32 NEW ROGY	06112384R0	120	
40A	BKJ63N 1P C40 NEW ROGY	06112385R0	120	
50A	BKJ63N 1P C50 NEW ROGY	06112386R0	120	
63A	BKJ63N 1P C63 NEW ROGY	06112387R0	120	

6kA at 240VAC



BKJ63N 1P+N

In	Model	Order No.	Pack. unit (Pcs.)	Price
1A	BKJ63N 1P+N C1 NEW ROGY	06122605R0	60	
2A	BKJ63N 1P+N C2 NEW ROGY	06122606R0	60	
3A	BKJ63N 1P+N C3 NEW ROGY	06122607R0	60	
4A	BKJ63N 1P+N C4 NEW ROGY	06122608R0	60	
6A	BKJ63N 1P+N C6 NEW ROGY	06122609R0	60	
10A	BKJ63N 1P+N C10 NEW ROGY	06122610R0	60	
13A	BKJ63N 1P+N C13 NEW ROGY	06122611R0	60	
16A	BKJ63N 1P+N C16 NEW ROGY	06122612R0	60	
20A	BKJ63N 1P+N C20 NEW ROGY	06122613R0	60	
25A	BKJ63N 1P+N C25 NEW ROGY	06122614R0	60	
32A	BKJ63N 1P+N C32 NEW ROGY	06122615R0	60	
40A	BKJ63N 1P+N C40 NEW ROGY	06122616R0	60	
50A	BKJ63N 1P+N C50 NEW ROGY	06122617R0	60	
63A	BKJ63N 1P+N C63 NEW ROGY	06122618R0	60	

6kA at 415VAC



BKJ63N 2P

In	Model	Order No.	Pack. unit (Pcs.)	Price
1A	BKJ63N 2P C1 NEW ROGY	06122647R0	60	
2A	BKJ63N 2P C2 NEW ROGY	06122648R0	60	
3A	BKJ63N 2P C3 NEW ROGY	06122649R0	60	
4A	BKJ63N 2P C4 NEW ROGY	06122650R0	60	
6A	BKJ63N 2P C6 NEW ROGY	06122651R0	60	
10A	BKJ63N 2P C10 NEW ROGY	06122652R0	60	
13A	BKJ63N 2P C13 NEW ROGY	06122653R0	60	
16A	BKJ63N 2P C16 NEW ROGY	06122654R0	60	
20A	BKJ63N 2P C20 NEW ROGY	06122655R0	60	
25A	BKJ63N 2P C25 NEW ROGY	06122656R0	60	
32A	BKJ63N 2P C32 NEW ROGY	06122657R0	60	
40A	BKJ63N 2P C40 NEW ROGY	06122658R0	60	
50A	BKJ63N 2P C50 NEW ROGY	06122659R0	60	
63A	BKJ63N 2P C63 NEW ROGY	06122660R0	60	

BKJ63N type, C curve



6kA at 400VAC



BKJ63N 3P

In	Model	Order No.	Pack. unit (Pcs.)	Price
1A	BKJ63N 3P C1 NEW ROGY	06131185R0	40	
2A	BKJ63N 3P C2 NEW ROGY	06131186R0	40	
3A	BKJ63N 3P C3 NEW ROGY	06131187R0	40	
4A	BKJ63N 3P C4 NEW ROGY	06131188R0	40	
6A	BKJ63N 3P C6 NEW ROGY	06131189R0	40	
10A	BKJ63N 3P C10 NEW ROGY	06131190R0	40	
13A	BKJ63N 3P C13 NEW ROGY	06131191R0	40	
16A	BKJ63N 3P C16 NEW ROGY	06131192R0	40	
20A	BKJ63N 3P C20 NEW ROGY	06131193R0	40	
25A	BKJ63N 3P C25 NEW ROGY	06131194R0	40	
32A	BKJ63N 3P C32 NEW ROGY	06131195R0	40	
40A	BKJ63N 3P C40 NEW ROGY	06131196R0	40	
50A	BKJ63N 3P C50 NEW ROGY	06131197R0	40	
63A	BKJ63N 3P C63 NEW ROGY	06131198R0	40	



BKJ63N 3P+N

6kA at 400VAC

In	Model	Order No.	Pack. unit (Pcs.)	Price
1A	BKJ63N 3P+N C1 NEW ROGY	06141966R0	30	
2A	BKJ63N 3P+N C2 NEW ROGY	06141967R0	30	
3A	BKJ63N 3P+N C3 NEW ROGY	06141968R0	30	
4A	BKJ63N 3P+N C4 NEW ROGY	06141969R0	30	
6A	BKJ63N 3P+N C6 NEW ROGY	06141970R0	30	
10A	BKJ63N 3P+N C10 NEW ROGY	06141971R0	30	
13A	BKJ63N 3P+N C13 NEW ROGY	06141972R0	30	
16A	BKJ63N 3P+N C16 NEW ROGY	06141973R0	30	
20A	BKJ63N 3P+N C20 NEW ROGY	06141974R0	30	
25A	BKJ63N 3P+N C25 NEW ROGY	06141975R0	30	
32A	BKJ63N 3P+N C32 NEW ROGY	06141976R0	30	
40A	BKJ63N 3P+N C40 NEW ROGY	06141977R0	30	
50A	BKJ63N 3P+N C50 NEW ROGY	06141978R0	30	
63A	BKJ63N 3P+N C63 NEW ROGY	06141979R0	30	



BKJ63N 4P

6kA at 400VAC

In	Model	Order No.	Pack. unit (Pcs.)	Price
1A	BKJ63N 4P C1 NEW ROGY	06142008R0	30	
2A	BKJ63N 4P C2 NEW ROGY	06142009R0	30	
3A	BKJ63N 4P C3 NEW ROGY	06142010R0	30	
4A	BKJ63N 4P C4 NEW ROGY	06142011R0	30	
6A	BKJ63N 4P C6 NEW ROGY	06142012R0	30	
10A	BKJ63N 4P C10 NEW ROGY	06142013R0	30	
13A	BKJ63N 4P C13 NEW ROGY	06142014R0	30	
16A	BKJ63N 4P C16 NEW ROGY	06142015R0	30	
20A	BKJ63N 4P C20 NEW ROGY	06142016R0	30	
25A	BKJ63N 4P C25 NEW ROGY	06142017R0	30	
32A	BKJ63N 4P C32 NEW ROGY	06142018R0	30	
40A	BKJ63N 4P C40 NEW ROGY	06142019R0	30	
50A	BKJ63N 4P C50 NEW ROGY	06142020R0	30	
63A	BKJ63N 4P C63 NEW ROGY	06142021R0	30	

Miniature Circuit Breakers

DIN rail mounting

BKJ63N type, D curve



6kA at 240/415VAC



BKJ63N 1P

In	Model	Order No.	Pack. unit (Pcs.)	Price
1A	BKJ63N 1P D1 NEW ROGY	06112388R0	120	
2A	BKJ63N 1P D2 NEW ROGY	06112389R0	120	
3A	BKJ63N 1P D3 NEW ROGY	06112390R0	120	
4A	BKJ63N 1P D4 NEW ROGY	06112391R0	120	
6A	BKJ63N 1P D6 NEW ROGY	06112392R0	120	
10A	BKJ63N 1P D10 NEW ROGY	06112393R0	120	
13A	BKJ63N 1P D13 NEW ROGY	06112394R0	120	
16A	BKJ63N 1P D16 NEW ROGY	06112395R0	120	
20A	BKJ63N 1P D20 NEW ROGY	06112396R0	120	
25A	BKJ63N 1P D25 NEW ROGY	06112397R0	120	
32A	BKJ63N 1P D32 NEW ROGY	06112398R0	120	
40A	BKJ63N 1P D40 NEW ROGY	06112399R0	120	
50A	BKJ63N 1P D50 NEW ROGY	06112400R0	120	
63A	BKJ63N 1P D63 NEW ROGY	06112401R0	120	

6kA at 240VAC



BKJ63N 1P+N

In	Model	Order No.	Pack. unit (Pcs.)	Price
1A	BKJ63N 1P+N D1 NEW ROGY	06122619R0	60	
2A	BKJ63N 1P+N D2 NEW ROGY	06122620R0	60	
3A	BKJ63N 1P+N D3 NEW ROGY	06122621R0	60	
4A	BKJ63N 1P+N D4 NEW ROGY	06122622R0	60	
6A	BKJ63N 1P+N D6 NEW ROGY	06122623R0	60	
10A	BKJ63N 1P+N D10 NEW ROGY	06122624R0	60	
13A	BKJ63N 1P+N D13 NEW ROGY	06122625R0	60	
16A	BKJ63N 1P+N D16 NEW ROGY	06122626R0	60	
20A	BKJ63N 1P+N D20 NEW ROGY	06122627R0	60	
25A	BKJ63N 1P+N D25 NEW ROGY	06122628R0	60	
32A	BKJ63N 1P+N D32 NEW ROGY	06122629R0	60	
40A	BKJ63N 1P+N D40 NEW ROGY	06122630R0	60	
50A	BKJ63N 1P+N D50 NEW ROGY	06122631R0	60	
63A	BKJ63N 1P+N D63 NEW ROGY	06122632R0	60	

6kA at 415VAC



BKJ63N 2P

In	Model	Order No.	Pack. unit (Pcs.)	Price
1A	BKJ63N 2P D1 NEW ROGY	06122661R0	60	
2A	BKJ63N 2P D2 NEW ROGY	06122662R0	60	
3A	BKJ63N 2P D3 NEW ROGY	06122663R0	60	
4A	BKJ63N 2P D4 NEW ROGY	06122664R0	60	
6A	BKJ63N 2P D6 NEW ROGY	06122665R0	60	
10A	BKJ63N 2P D10 NEW ROGY	06122666R0	60	
13A	BKJ63N 2P D13 NEW ROGY	06122667R0	60	
16A	BKJ63N 2P D16 NEW ROGY	06122668R0	60	
20A	BKJ63N 2P D20 NEW ROGY	06122669R0	60	
25A	BKJ63N 2P D25 NEW ROGY	06122670R0	60	
32A	BKJ63N 2P D32 NEW ROGY	06122671R0	60	
40A	BKJ63N 2P D40 NEW ROGY	06122672R0	60	
50A	BKJ63N 2P D50 NEW ROGY	06122673R0	60	
63A	BKJ63N 2P D63 NEW ROGY	06122674R0	60	

BKJ63N type, D curve



6kA at 415VAC



BKJ63N 3P

In	Model	Order No.	Pack. unit (Pcs.)	Price
1A	BKJ63N 3P D1 NEW ROGY	06131199R0	40	
2A	BKJ63N 3P D2 NEW ROGY	06131200R0	40	
3A	BKJ63N 3P D3 NEW ROGY	06131201R0	40	
4A	BKJ63N 3P D4 NEW ROGY	06131202R0	40	
6A	BKJ63N 3P D6 NEW ROGY	06131203R0	40	
10A	BKJ63N 3P D10 NEW ROGY	06131204R0	40	
13A	BKJ63N 3P D13 NEW ROGY	06131205R0	40	
16A	BKJ63N 3P D16 NEW ROGY	06131206R0	40	
20A	BKJ63N 3P D20 NEW ROGY	06131207R0	40	
25A	BKJ63N 3P D25 NEW ROGY	06131208R0	40	
32A	BKJ63N 3P D32 NEW ROGY	06131209R0	40	
40A	BKJ63N 3P D40 NEW ROGY	06131210R0	40	
50A	BKJ63N 3P D50 NEW ROGY	06131211R0	40	
63A	BKJ63N 3P D63 NEW ROGY	06131212R0	40	

6kA at 415VAC



BKJ63N 3P+N

In	Model	Order No.	Pack. unit (Pcs.)	Price
1A	BKJ63N 3P+N D1 NEW ROGY	06141980R0	30	
2A	BKJ63N 3P+N D2 NEW ROGY	06141981R0	30	
3A	BKJ63N 3P+N D3 NEW ROGY	06141982R0	30	
4A	BKJ63N 3P+N D4 NEW ROGY	06141983R0	30	
6A	BKJ63N 3P+N D6 NEW ROGY	06141984R0	30	
10A	BKJ63N 3P+N D10 NEW ROGY	06141985R0	30	
13A	BKJ63N 3P+N D13 NEW ROGY	06141986R0	30	
16A	BKJ63N 3P+N D16 NEW ROGY	06141987R0	30	
20A	BKJ63N 3P+N D20 NEW ROGY	06141988R0	30	
25A	BKJ63N 3P+N D25 NEW ROGY	06141989R0	30	
32A	BKJ63N 3P+N D32 NEW ROGY	06141990R0	30	
40A	BKJ63N 3P+N D40 NEW ROGY	06141991R0	30	
50A	BKJ63N 3P+N D50 NEW ROGY	06141992R0	30	
63A	BKJ63N 3P+N D63 NEW ROGY	06141993R0	30	

6kA at 415VAC



BKJ63N 4P

In	Model	Order No.	Pack. unit (Pcs.)	Price
1A	BKJ63N 4P D1 NEW ROGY	06142022R0	30	
2A	BKJ63N 4P D2 NEW ROGY	06142023R0	30	
3A	BKJ63N 4P D3 NEW ROGY	06142024R0	30	
4A	BKJ63N 4P D4 NEW ROGY	06142025R0	30	
6A	BKJ63N 4P D6 NEW ROGY	06142026R0	30	
10A	BKJ63N 4P D10 NEW ROGY	06142027R0	30	
13A	BKJ63N 4P D13 NEW ROGY	06142028R0	30	
16A	BKJ63N 4P D16 NEW ROGY	06142029R0	30	
20A	BKJ63N 4P D20 NEW ROGY	06142030R0	30	
25A	BKJ63N 4P D25 NEW ROGY	06142031R0	30	
32A	BKJ63N 4P D32 NEW ROGY	06142032R0	30	
40A	BKJ63N 4P D40 NEW ROGY	06142033R0	30	
50A	BKJ63N 4P D50 NEW ROGY	06142034R0	30	
63A	BKJ63N 4P D63 NEW ROGY	06142035R0	30	

Miniature Circuit Breakers

DIN rail mounting



BKJ63Nd 2P

BKJ63Nd type



Technical data

Standard	Confirming to IEC 60898-1, 60947-2
Protection	Against overload and short circuit
Rated current [In]	1, 2, 3, 4, 6, 10, 13, 16, 20, 25, 32, 40, 50, 63A
Rated voltage [Ue]	1pole 240/415VAC 50/60Hz 1pole+N 240VAC 50/60Hz 2~4pole 415VAC 50/60Hz
Ambient temperature	-5°C ~ + 40°C
Breaking capacity	6kA
Characteristic	B, C, D curve
Number of poles	1P, 1P+N, 2P, 3P, 3P+N and 4P
Rated insulation voltage [Ui]	500V
Rated impulse withstand voltage [Uimp]	4kV
Type of trip	Thermal-magnetic release
Type of terminal	Dual type (Lug & Screw)
Terminal capacity	Cables up to 25mm ²
Installation	Mounting on 35mm DIN rail
Width	17.8mm per pole
Electrical endurance	10,000 operations

Influence of ambient temperature on nominal currents

Nominal current of MCB (A)	Internally resistance (mohm)	Power loss (W)	Max. impedance of impedance loop (Ohm)			Thermal correction of nominal currents				
			B	C	D	20°C	30°C	40°C	50°C	60°C
1	1215.69	1.24	46.20	25.70	14.40	1.05	1	0.95	0.90	0.85
2	343.28	1.38	21.60	12.02	6.73	2.08	2	1.92	1.84	1.74
3	128.09	1.15	16.90	9.40	5.26	3.18	3	2.82	2.61	2.37
4	105.53	1.68	10.68	5.94	3.33	4.24	4	3.76	3.52	3.24
6	29.22	1.08	7.14	3.97	2.22	6.24	6	5.76	5.52	5.30
10	14.49	1.55	3.87	2.15	1.21	10.60	10	9.30	8.60	7.80
16	10.00	2.56	2.24	1.25	0.70	16.80	16	15.20	14.20	13.30
20	8.02	3.32	1.55	0.86	0.48	21.00	20	19.00	17.80	16.80
25	3.11	2.00	2.43	1.35	0.76	26.20	25	23.70	22.20	20.70
32	3.05	3.17	1.27	0.71	0.40	33.50	32	30.40	28.40	27.50
40	2.16	3.40	0.60	0.33	0.19	42.00	40	38.00	35.60	33.20
50	1.65	4.20	0.71	0.39	0.22	52.50	50	47.40	44.00	40.50
63	1.68	6.30	0.47	0.32	0.15	66.20	63	58.00	54.20	49.20

BKJ63Nd type, B curve



6kA at 240/415VAC



BKJ63Nd 1P

In	Model	Order No.	Pack. unit (Pcs.)	Price
1A	BKJ63Nd 1P B1 NEW ROGY	06112402R0	120	
2A	BKJ63Nd 1P B2 NEW ROGY	06112403R0	120	
3A	BKJ63Nd 1P B3 NEW ROGY	06112404R0	120	
4A	BKJ63Nd 1P B4 NEW ROGY	06112405R0	120	
6A	BKJ63Nd 1P B6 NEW ROGY	06112406R0	120	
10A	BKJ63Nd 1P B10 NEW ROGY	06112407R0	120	
13A	BKJ63Nd 1P B13 NEW ROGY	06112408R0	120	
16A	BKJ63Nd 1P B16 NEW ROGY	06112409R0	120	
20A	BKJ63Nd 1P B20 NEW ROGY	06112410R0	120	
25A	BKJ63Nd 1P B25 NEW ROGY	06112411R0	120	
32A	BKJ63Nd 1P B32 NEW ROGY	06112412R0	120	
40A	BKJ63Nd 1P B40 NEW ROGY	06112413R0	120	
50A	BKJ63Nd 1P B50 NEW ROGY	06112414R0	120	
63A	BKJ63Nd 1P B63 NEW ROGY	06112415R0	120	

6kA at 240VAC



BKJ63Nd 1P+N

In	Model	Order No.	Pack. unit (Pcs.)	Price
1A	BKJ63Nd 1P+N B1 NEW ROGY	06122675R0	60	
2A	BKJ63Nd 1P+N B2 NEW ROGY	06122676R0	60	
3A	BKJ63Nd 1P+N B3 NEW ROGY	06122677R0	60	
4A	BKJ63Nd 1P+N B4 NEW ROGY	06122678R0	60	
6A	BKJ63Nd 1P+N B6 NEW ROGY	06122679R0	60	
10A	BKJ63Nd 1P+N B10 NEW ROGY	06122680R0	60	
13A	BKJ63Nd 1P+N B13 NEW ROGY	06122681R0	60	
16A	BKJ63Nd 1P+N B16 NEW ROGY	06122682R0	60	
20A	BKJ63Nd 1P+N B20 NEW ROGY	06122683R0	60	
25A	BKJ63Nd 1P+N B25 NEW ROGY	06122684R0	60	
32A	BKJ63Nd 1P+N B32 NEW ROGY	06122685R0	60	
40A	BKJ63Nd 1P+N B40 NEW ROGY	06122686R0	60	
50A	BKJ63Nd 1P+N B50 NEW ROGY	06122687R0	60	
63A	BKJ63Nd 1P+N B63 NEW ROGY	06122688R0	60	

6kA at 415VAC



BKJ63Nd 2P

In	Model	Order No.	Pack. unit (Pcs.)	Price
1A	BKJ63Nd 2P B1 NEW ROGY	06122717R0	60	
2A	BKJ63Nd 2P B2 NEW ROGY	06122718R0	60	
3A	BKJ63Nd 2P B3 NEW ROGY	06122719R0	60	
4A	BKJ63Nd 2P B4 NEW ROGY	06122720R0	60	
6A	BKJ63Nd 2P B6 NEW ROGY	06122721R0	60	
10A	BKJ63Nd 2P B10 NEW ROGY	06122722R0	60	
13A	BKJ63Nd 2P B13 NEW ROGY	06122723R0	60	
16A	BKJ63Nd 2P B16 NEW ROGY	06122724R0	60	
20A	BKJ63Nd 2P B20 NEW ROGY	06122725R0	60	
25A	BKJ63Nd 2P B25 NEW ROGY	06122726R0	60	
32A	BKJ63Nd 2P B32 NEW ROGY	06122727R0	60	
40A	BKJ63Nd 2P B40 NEW ROGY	06122728R0	60	
50A	BKJ63Nd 2P B50 NEW ROGY	06122729R0	60	
63A	BKJ63Nd 2P B63 NEW ROGY	06122730R0	60	

Miniature Circuit Breakers

DIN rail mounting

BKJ63Nd type, B curve



6kA at 415VAC



BKJ63Nd 3P

In	Model	Order No.	Pack. unit (Pcs.)	Price
1A	BKJ63Nd 3P B1 NEW ROGY	06131213R0	40	
2A	BKJ63Nd 3P B2 NEW ROGY	06131214R0	40	
3A	BKJ63Nd 3P B3 NEW ROGY	06131215R0	40	
4A	BKJ63Nd 3P B4 NEW ROGY	06131216R0	40	
6A	BKJ63Nd 3P B6 NEW ROGY	06131217R0	40	
10A	BKJ63Nd 3P B10 NEW ROGY	06131218R0	40	
13A	BKJ63Nd 3P B13 NEW ROGY	06131219R0	40	
16A	BKJ63Nd 3P B16 NEW ROGY	06131220R0	40	
20A	BKJ63Nd 3P B20 NEW ROGY	06131221R0	40	
25A	BKJ63Nd 3P B25 NEW ROGY	06131222R0	40	
32A	BKJ63Nd 3P B32 NEW ROGY	06131223R0	40	
40A	BKJ63Nd 3P B40 NEW ROGY	06131224R0	40	
50A	BKJ63Nd 3P B50 NEW ROGY	06131225R0	40	
63A	BKJ63Nd 3P B63 NEW ROGY	06131226R0	40	

6kA at 415VAC



BKJ63Nd 3P+N

In	Model	Order No.	Pack. unit (Pcs.)	Price
1A	BKJ63Nd 3P+N B1 NEW ROGY	06142036R0	30	
2A	BKJ63Nd 3P+N B2 NEW ROGY	06142037R0	30	
3A	BKJ63Nd 3P+N B3 NEW ROGY	06142038R0	30	
4A	BKJ63Nd 3P+N B4 NEW ROGY	06142039R0	30	
6A	BKJ63Nd 3P+N B6 NEW ROGY	06142040R0	30	
10A	BKJ63Nd 3P+N B10 NEW ROGY	06142041R0	30	
13A	BKJ63Nd 3P+N B13 NEW ROGY	06142042R0	30	
16A	BKJ63Nd 3P+N B16 NEW ROGY	06142043R0	30	
20A	BKJ63Nd 3P+N B20 NEW ROGY	06142044R0	30	
25A	BKJ63Nd 3P+N B25 NEW ROGY	06142045R0	30	
32A	BKJ63Nd 3P+N B32 NEW ROGY	06142046R0	30	
40A	BKJ63Nd 3P+N B40 NEW ROGY	06142047R0	30	
50A	BKJ63Nd 3P+N B50 NEW ROGY	06142048R0	30	
63A	BKJ63Nd 3P+N B63 NEW ROGY	06142049R0	30	

6kA at 415VAC



BKJ63Nd 4P

In	Model	Order No.	Pack. unit (Pcs.)	Price
1A	BKJ63Nd 4P B1 NEW ROGY	06142078R0	30	
2A	BKJ63Nd 4P B2 NEW ROGY	06142079R0	30	
3A	BKJ63Nd 4P B3 NEW ROGY	06142080R0	30	
4A	BKJ63Nd 4P B4 NEW ROGY	06142081R0	30	
6A	BKJ63Nd 4P B6 NEW ROGY	06142082R0	30	
10A	BKJ63Nd 4P B10 NEW ROGY	06142083R0	30	
13A	BKJ63Nd 4P B13 NEW ROGY	06142084R0	30	
16A	BKJ63Nd 4P B16 NEW ROGY	06142085R0	30	
20A	BKJ63Nd 4P B20 NEW ROGY	06142086R0	30	
25A	BKJ63Nd 4P B25 NEW ROGY	06142087R0	30	
32A	BKJ63Nd 4P B32 NEW ROGY	06142088R0	30	
40A	BKJ63Nd 4P B40 NEW ROGY	06142089R0	30	
50A	BKJ63Nd 4P B50 NEW ROGY	06142090R0	30	
63A	BKJ63Nd 4P B63 NEW ROGY	06142091R0	30	

BKJ63Nd type, C curve



6kA at 240/415VAC



BKJ63Nd 1P

In	Model	Order No.	Pack. unit (Pcs.)	Price
1A	BKJ63Nd 1P C1 NEW ROGY	06112416R0	120	
2A	BKJ63Nd 1P C2 NEW ROGY	06112417R0	120	
3A	BKJ63Nd 1P C3 NEW ROGY	06112418R0	120	
4A	BKJ63Nd 1P C4 NEW ROGY	06112419R0	120	
6A	BKJ63Nd 1P C6 NEW ROGY	06112420R0	120	
10A	BKJ63Nd 1P C10 NEW ROGY	06112421R0	120	
13A	BKJ63Nd 1P C13 NEW ROGY	06112422R0	120	
16A	BKJ63Nd 1P C16 NEW ROGY	06112423R0	120	
20A	BKJ63Nd 1P C20 NEW ROGY	06112424R0	120	
25A	BKJ63Nd 1P C25 NEW ROGY	06112425R0	120	
32A	BKJ63Nd 1P C32 NEW ROGY	06112426R0	120	
40A	BKJ63Nd 1P C40 NEW ROGY	06112427R0	120	
50A	BKJ63Nd 1P C50 NEW ROGY	06112428R0	120	
63A	BKJ63Nd 1P C63 NEW ROGY	06112429R0	120	

6kA at 240VAC



BKJ63Nd 1P+N

In	Model	Order No.	Pack. unit (Pcs.)	Price
1A	BKJ63Nd 1P+N C1 NEW ROGY	06122689R0	60	
2A	BKJ63Nd 1P+N C2 NEW ROGY	06122690R0	60	
3A	BKJ63Nd 1P+N C3 NEW ROGY	06122691R0	60	
4A	BKJ63Nd 1P+N C4 NEW ROGY	06122692R0	60	
6A	BKJ63Nd 1P+N C6 NEW ROGY	06122693R0	60	
10A	BKJ63Nd 1P+N C10 NEW ROGY	06122694R0	60	
13A	BKJ63Nd 1P+N C13 NEW ROGY	06122695R0	60	
16A	BKJ63Nd 1P+N C16 NEW ROGY	06122696R0	60	
20A	BKJ63Nd 1P+N C20 NEW ROGY	06122697R0	60	
25A	BKJ63Nd 1P+N C25 NEW ROGY	06122698R0	60	
32A	BKJ63Nd 1P+N C32 NEW ROGY	06122699R0	60	
40A	BKJ63Nd 1P+N C40 NEW ROGY	06122700R0	60	
50A	BKJ63Nd 1P+N C50 NEW ROGY	06122701R0	60	
63A	BKJ63Nd 1P+N C63 NEW ROGY	06122702R0	60	

6kA at 415VAC



BKJ63Nd 2P

In	Model	Order No.	Pack. unit (Pcs.)	Price
1A	BKJ63Nd 2P C1 NEW ROGY	06122731R0	60	
2A	BKJ63Nd 2P C2 NEW ROGY	06122732R0	60	
3A	BKJ63Nd 2P C3 NEW ROGY	06122733R0	60	
4A	BKJ63Nd 2P C4 NEW ROGY	06122734R0	60	
6A	BKJ63Nd 2P C6 NEW ROGY	06122735R0	60	
10A	BKJ63Nd 2P C10 NEW ROGY	06122736R0	60	
13A	BKJ63Nd 2P C13 NEW ROGY	06122737R0	60	
16A	BKJ63Nd 2P C16 NEW ROGY	06122738R0	60	
20A	BKJ63Nd 2P C20 NEW ROGY	06122739R0	60	
25A	BKJ63Nd 2P C25 NEW ROGY	06122740R0	60	
32A	BKJ63Nd 2P C32 NEW ROGY	06122741R0	60	
40A	BKJ63Nd 2P C40 NEW ROGY	06122742R0	60	
50A	BKJ63Nd 2P C50 NEW ROGY	06122743R0	60	
63A	BKJ63Nd 2P C63 NEW ROGY	06122744R0	60	

Miniature Circuit Breakers

DIN rail mounting

BKJ63Nd type, C curve



6kA at 415VAC



BKJ63Nd 3P

In	Model	Order No.	Pack. unit (Pcs.)	Price
1A	BKJ63Nd 3P C1 NEW ROGY	06131227R0	40	
2A	BKJ63Nd 3P C2 NEW ROGY	06131228R0	40	
3A	BKJ63Nd 3P C3 NEW ROGY	06131229R0	40	
4A	BKJ63Nd 3P C4 NEW ROGY	06131230R0	40	
6A	BKJ63Nd 3P C6 NEW ROGY	06131231R0	40	
10A	BKJ63Nd 3P C10 NEW ROGY	06131232R0	40	
13A	BKJ63Nd 3P C13 NEW ROGY	06131233R0	40	
16A	BKJ63Nd 3P C16 NEW ROGY	06131234R0	40	
20A	BKJ63Nd 3P C20 NEW ROGY	06131235R0	40	
25A	BKJ63Nd 3P C25 NEW ROGY	06131236R0	40	
32A	BKJ63Nd 3P C32 NEW ROGY	06131237R0	40	
40A	BKJ63Nd 3P C40 NEW ROGY	06131238R0	40	
50A	BKJ63Nd 3P C50 NEW ROGY	06131239R0	40	
63A	BKJ63Nd 3P C63 NEW ROGY	06131240R0	40	

6kA at 415VAC



BKJ63Nd 3P+N

In	Model	Order No.	Pack. unit (Pcs.)	Price
1A	BKJ63Nd 3P+N C1 NEW ROGY	06142050R0	30	
2A	BKJ63Nd 3P+N C2 NEW ROGY	06142051R0	30	
3A	BKJ63Nd 3P+N C3 NEW ROGY	06142052R0	30	
4A	BKJ63Nd 3P+N C4 NEW ROGY	06142053R0	30	
6A	BKJ63Nd 3P+N C6 NEW ROGY	06142054R0	30	
10A	BKJ63Nd 3P+N C10 NEW ROGY	06142055R0	30	
13A	BKJ63Nd 3P+N C13 NEW ROGY	06142056R0	30	
16A	BKJ63Nd 3P+N C16 NEW ROGY	06142057R0	30	
20A	BKJ63Nd 3P+N C20 NEW ROGY	06142058R0	30	
25A	BKJ63Nd 3P+N C25 NEW ROGY	06142059R0	30	
32A	BKJ63Nd 3P+N C32 NEW ROGY	06142060R0	30	
40A	BKJ63Nd 3P+N C40 NEW ROGY	06142061R0	30	
50A	BKJ63Nd 3P+N C50 NEW ROGY	06142062R0	30	
63A	BKJ63Nd 3P+N C63 NEW ROGY	06142063R0	30	

6kA at 415VAC



BKJ63Nd 4P

In	Model	Order No.	Pack. unit (Pcs.)	Price
1A	BKJ63Nd 4P C1 NEW ROGY	06142092R0	30	
2A	BKJ63Nd 4P C2 NEW ROGY	06142093R0	30	
3A	BKJ63Nd 4P C3 NEW ROGY	06142094R0	30	
4A	BKJ63Nd 4P C4 NEW ROGY	06142095R0	30	
6A	BKJ63Nd 4P C6 NEW ROGY	06142096R0	30	
10A	BKJ63Nd 4P C10 NEW ROGY	06142097R0	30	
13A	BKJ63Nd 4P C13 NEW ROGY	06142098R0	30	
16A	BKJ63Nd 4P C16 NEW ROGY	06142099R0	30	
20A	BKJ63Nd 4P C20 NEW ROGY	06142100R0	30	
25A	BKJ63Nd 4P C25 NEW ROGY	06142101R0	30	
32A	BKJ63Nd 4P C32 NEW ROGY	06142102R0	30	
40A	BKJ63Nd 4P C40 NEW ROGY	06142103R0	30	
50A	BKJ63Nd 4P C50 NEW ROGY	06142104R0	30	
63A	BKJ63Nd 4P C63 NEW ROGY	06142105R0	30	

BKJ63Nd type, D curve



6kA at 240/415VAC



BKJ63Nd 1P

In	Model	Order No.	Pack. unit (Pcs.)	Price
1A	BKJ63Nd 1P D1 NEW ROGY	06112430R0	120	
2A	BKJ63Nd 1P D2 NEW ROGY	06112431R0	120	
3A	BKJ63Nd 1P D3 NEW ROGY	06112432R0	120	
4A	BKJ63Nd 1P D4 NEW ROGY	06112433R0	120	
6A	BKJ63Nd 1P D6 NEW ROGY	06112434R0	120	
10A	BKJ63Nd 1P D10 NEW ROGY	06112435R0	120	
13A	BKJ63Nd 1P D13 NEW ROGY	06112436R0	120	
16A	BKJ63Nd 1P D16 NEW ROGY	06112437R0	120	
20A	BKJ63Nd 1P D20 NEW ROGY	06112438R0	120	
25A	BKJ63Nd 1P D25 NEW ROGY	06112439R0	120	
32A	BKJ63Nd 1P D32 NEW ROGY	06112440R0	120	
40A	BKJ63Nd 1P D40 NEW ROGY	06112441R0	120	
50A	BKJ63Nd 1P D50 NEW ROGY	06112442R0	120	
63A	BKJ63Nd 1P D63 NEW ROGY	06112443R0	120	

6kA at 240VAC



BKJ63Nd 1P+N

In	Model	Order No.	Pack. unit (Pcs.)	Price
1A	BKJ63Nd 1P+N D1 NEW ROGY	06122703R0	60	
2A	BKJ63Nd 1P+N D2 NEW ROGY	06122704R0	60	
3A	BKJ63Nd 1P+N D3 NEW ROGY	06122705R0	60	
4A	BKJ63Nd 1P+N D4 NEW ROGY	06122706R0	60	
6A	BKJ63Nd 1P+N D6 NEW ROGY	06122707R0	60	
10A	BKJ63Nd 1P+N D10 NEW ROGY	06122708R0	60	
13A	BKJ63Nd 1P+N D13 NEW ROGY	06122709R0	60	
16A	BKJ63Nd 1P+N D16 NEW ROGY	06122710R0	60	
20A	BKJ63Nd 1P+N D20 NEW ROGY	06122711R0	60	
25A	BKJ63Nd 1P+N D25 NEW ROGY	06122712R0	60	
32A	BKJ63Nd 1P+N D32 NEW ROGY	06122713R0	60	
40A	BKJ63Nd 1P+N D40 NEW ROGY	06122714R0	60	
50A	BKJ63Nd 1P+N D50 NEW ROGY	06122715R0	60	
63A	BKJ63Nd 1P+N D63 NEW ROGY	06122716R0	60	

6kA at 415VAC



BKJ63Nd 2P

In	Model	Order No.	Pack. unit (Pcs.)	Price
1A	BKJ63Nd 2P D1 NEW ROGY	06122745R0	60	
2A	BKJ63Nd 2P D2 NEW ROGY	06122746R0	60	
3A	BKJ63Nd 2P D3 NEW ROGY	06122747R0	60	
4A	BKJ63Nd 2P D4 NEW ROGY	06122748R0	60	
6A	BKJ63Nd 2P D6 NEW ROGY	06122749R0	60	
10A	BKJ63Nd 2P D10 NEW ROGY	06122750R0	60	
13A	BKJ63Nd 2P D13 NEW ROGY	06122751R0	60	
16A	BKJ63Nd 2P D16 NEW ROGY	06122752R0	60	
20A	BKJ63Nd 2P D20 NEW ROGY	06122753R0	60	
25A	BKJ63Nd 2P D25 NEW ROGY	06122754R0	60	
32A	BKJ63Nd 2P D32 NEW ROGY	06122755R0	60	
40A	BKJ63Nd 2P D40 NEW ROGY	06122756R0	60	
50A	BKJ63Nd 2P D50 NEW ROGY	06122757R0	60	
63A	BKJ63Nd 2P D63 NEW ROGY	06122758R0	60	

Miniature Circuit Breakers

DIN rail mounting

BKJ63Nd type, D curve



6kA at 415VAC



BKJ63Nd 3P

In	Model	Order No.	Pack. unit (Pcs.)	Price
1A	BKJ63Nd 3P D1 NEW ROGY	06131241R0	40	
2A	BKJ63Nd 3P D2 NEW ROGY	06131242R0	40	
3A	BKJ63Nd 3P D3 NEW ROGY	06131243R0	40	
4A	BKJ63Nd 3P D4 NEW ROGY	06131244R0	40	
6A	BKJ63Nd 3P D6 NEW ROGY	06131245R0	40	
10A	BKJ63Nd 3P D10 NEW ROGY	06131246R0	40	
13A	BKJ63Nd 3P D13 NEW ROGY	06131247R0	40	
16A	BKJ63Nd 3P D16 NEW ROGY	06131248R0	40	
20A	BKJ63Nd 3P D20 NEW ROGY	06131249R0	40	
25A	BKJ63Nd 3P D25 NEW ROGY	06131250R0	40	
32A	BKJ63Nd 3P D32 NEW ROGY	06131251R0	40	
40A	BKJ63Nd 3P D40 NEW ROGY	06131252R0	40	
50A	BKJ63Nd 3P D50 NEW ROGY	06131253R0	40	
63A	BKJ63Nd 3P D63 NEW ROGY	06131254R0	40	

6kA at 415VAC



BKJ63Nd 3P+N

In	Model	Order No.	Pack. unit (Pcs.)	Price
1A	BKJ63Nd 3P+N D1 NEW ROGY	06142064R0	30	
2A	BKJ63Nd 3P+N D2 NEW ROGY	06142065R0	30	
3A	BKJ63Nd 3P+N D3 NEW ROGY	06142066R0	30	
4A	BKJ63Nd 3P+N D4 NEW ROGY	06142067R0	30	
6A	BKJ63Nd 3P+N D6 NEW ROGY	06142068R0	30	
10A	BKJ63Nd 3P+N D10 NEW ROGY	06142069R0	30	
13A	BKJ63Nd 3P+N D13 NEW ROGY	06142070R0	30	
16A	BKJ63Nd 3P+N D16 NEW ROGY	06142071R0	30	
20A	BKJ63Nd 3P+N D20 NEW ROGY	06142072R0	30	
25A	BKJ63Nd 3P+N D25 NEW ROGY	06142073R0	30	
32A	BKJ63Nd 3P+N D32 NEW ROGY	06142074R0	30	
40A	BKJ63Nd 3P+N D40 NEW ROGY	06142075R0	30	
50A	BKJ63Nd 3P+N D50 NEW ROGY	06142076R0	30	
63A	BKJ63Nd 3P+N D63 NEW ROGY	06142077R0	30	

6kA at 415VAC



BKJ63Nd 4P

In	Model	Order No.	Pack. unit (Pcs.)	Price
1A	BKJ63Nd 4P D1 NEW ROGY	06142106R0	30	
2A	BKJ63Nd 4P D2 NEW ROGY	06142107R0	30	
3A	BKJ63Nd 4P D3 NEW ROGY	06142108R0	30	
4A	BKJ63Nd 4P D4 NEW ROGY	06142109R0	30	
6A	BKJ63Nd 4P D6 NEW ROGY	06142110R0	30	
10A	BKJ63Nd 4P D10 NEW ROGY	06142111R0	30	
13A	BKJ63Nd 4P D13 NEW ROGY	06142112R0	30	
16A	BKJ63Nd 4P D16 NEW ROGY	06142113R0	30	
20A	BKJ63Nd 4P D20 NEW ROGY	06142114R0	30	
25A	BKJ63Nd 4P D25 NEW ROGY	06142115R0	30	
32A	BKJ63Nd 4P D32 NEW ROGY	06142116R0	30	
40A	BKJ63Nd 4P D40 NEW ROGY	06142117R0	30	
50A	BKJ63Nd 4P D50 NEW ROGY	06142118R0	30	
63A	BKJ63Nd 4P D63 NEW ROGY	06142119R0	30	

Accessories (BKJ63N, BKJ63Nd, BKN-b)



Optional accessories ... Auxiliary switch, AX

Composition	Consists of 1 changeover contact	
Rating	AC circuit 6A at 240VAC 3A at 415VAC	DC circuit 2A at 48VDC 1A at 130VDC
Type of terminal	Lug type	
Terminal capacity	Cables up to 2.5mm ²	
Width	9mm	

Optional accessories ... Auxiliary switch, AL

Composition	Consists of 1 changeover contact	
Rating	AC circuit 6A at 230VAC 3A at 415VAC	DC circuit 2A at 48VDC 1A at 130VDC
Type of terminal	Lug type	
Terminal capacity	Cables up to 2.5mm ²	
Width	9mm	

Optional accessories. SHT, OVT/UVT

SHT-b	Rated voltage (Ue)	AC 110~415V
	Operate voltage range	70~110% Ue
U/OVT-b	Rated voltage (Ue)	AC 230V
	Over-voltage tripping range	AC 280V±5%
	Under-voltage tripping range	AC 170V±5%
Electric-mechanical endurance	10,000 operations	
Terminal	MS screw (cable up to 25mm ²)	
Width	18mm	

*SHT or UVT accessory are not tripped when zero voltage

Accessories code

Accessories	Code
Alarm switch	06150013R0
Auxiliary switch	06150012R0
Shunt trip device	06150082R0
Over/Under voltage trip device	06150083R0

Miniature Circuit Breakers

DIN rail mounting

CE
Certificate
Patent
protection



BKN-b 2P

BKN-b type (High rupturing capacity)



Technical data

Standard	Confirming to IEC 60898-1, IEC 60947-2	
Approval	KEMA CB, SABS, CE	
Protection	Against overload and short circuit	
Rated current	1, 2, 3, 4, 6, 10, 16, 20, 25, 32, 40, 50, 63A	
Rated voltage	1pole 240/415VAC 50/60Hz 2, 3, 4pole 415VAC 50/60Hz	
Ambient temperature	-5°C to +40°C pursuant to IEC 60898-1	
Breaking capacity	10kA	
Characteristic	B, C, D curve	
Number of poles	1P, 1P+N, 2P, 3P, 3P+N and 4P	
Rated insulation voltage [Ui]	500V	
Rated impulse withstand voltage [Uimp]	4kV	
Type of trip	Thermal-magnetic release	
Type of terminal	Dual type (Lug & Screw)	
Terminal capacity	Cables up to 25mm ²	
Installation	Mounting on 35mm DIN rail	
Width	17.8mm per pole	
Electrical endurance	—	
In	1 ... 32A	40 ... 63A
Endurance	4,000 operations	4,000 operations
Max. frequency (Cycles/hour)	240	120



Influence of ambient temperature on nominal currents

Nominal current of MCB (A)	Internally resistance (mohm)	Power loss (W)	Max. impedance of impedance loop (Ohm)			Thermal correction of nominal currents				
			B	C	D	20°C	30°C	40°C	50°C	60°C
1	1215.69	1.24	46.20	25.70	14.40	1.05	1	0.95	0.90	0.85
2	343.28	1.38	21.60	12.02	6.73	2.08	2	1.92	1.84	1.74
3	128.09	1.15	16.90	9.40	5.26	3.18	3	2.82	2.61	2.37
4	105.53	1.68	10.68	5.94	3.33	4.24	4	3.76	3.52	3.24
6	29.22	1.08	7.14	3.97	2.22	6.24	6	5.76	5.52	5.30
10	14.49	1.55	3.87	2.15	1.21	10.60	10	9.30	8.60	7.80
16	10.00	2.56	2.24	1.25	0.70	16.80	16	15.20	14.20	13.30
20	8.02	3.32	1.55	0.86	0.48	21.00	20	19.00	17.80	16.80
25	3.11	2.00	2.43	1.35	0.76	26.20	25	23.70	22.20	20.70
32	3.05	3.17	1.27	0.71	0.40	33.50	32	30.40	28.40	27.50
40	2.16	3.40	0.60	0.33	0.19	42.00	40	38.00	35.60	33.20
50	1.65	4.20	0.71	0.39	0.22	52.50	50	47.40	44.00	40.50
63	1.68	6.30	0.47	0.32	0.15	66.20	63	58.00	54.20	49.20

Optional accessories. SHT, OVT/UVT

SHT-b	Rated voltage (Ue)	AC 110~415V
	Operate voltage range	70~110% Ue
U/OVT-b	Rated voltage (Ue)	AC 230V
	Over-voltage tripping range	AC 280V±5%
	Under-voltage tripping range	AC 170V±5%
Electric-mechanical endurance	10,000 operations	
Terminal	MS screw (cable up to 25mm ²)	
Width	18mm	

BKN-b type, B curve



10kA at 240/415VAC



BKN-b 1P

In	Model	Order No.	Pack. unit (Pcs.)	Price
1A	BKN-b 1P B1A	06110160R0	120	
2A	BKN-b 1P B2A	06110161R0	120	
3A	BKN-b 1P B3A	06110162R0	120	
4A	BKN-b 1P B4A	06110163R0	120	
6A	BKN-b 1P B6A	06110164R0	120	
10A	BKN-b 1P B10A	06110165R0	120	
16A	BKN-b 1P B16A	06110166R0	120	
20A	BKN-b 1P B20A	06110167R0	120	
25A	BKN-b 1P B25A	06110168R0	120	
32A	BKN-b 1P B32A	06110169R0	120	
40A	BKN-b 1P B40A	06110170R0	120	
50A	BKN-b 1P B50A	06110171R0	120	
63A	BKN-b 1P B63A	06110172R0	120	

10kA at 240/415VAC



BKN-b 1P+N

In	Model	Order No.	Pack. unit (Pcs.)	Price
1A	BKN-b 1P+N B1A	06120417R0	60	
2A	BKN-b 1P+N B2A	06120418R0	60	
3A	BKN-b 1P+N B3A	06120419R0	60	
4A	BKN-b 1P+N B4A	06120420R0	60	
6A	BKN-b 1P+N B6A	06120421R0	60	
10A	BKN-b 1P+N B10A	06120422R0	60	
16A	BKN-b 1P+N B16A	06120423R0	60	
20A	BKN-b 1P+N B20A	06120424R0	60	
25A	BKN-b 1P+N B25A	06120425R0	60	
32A	BKN-b 1P+N B32A	06120426R0	60	
40A	BKN-b 1P+N B40A	06120427R0	60	
50A	BKN-b 1P+N B50A	06120428R0	60	
63A	BKN-b 1P+N B63A	06120429R0	60	

10kA at 415VAC



BKN-b 2P

In	Model	Order No.	Pack. unit (Pcs.)	Price
1A	BKN-b 2P B1A	06120430R0	60	
2A	BKN-b 2P B2A	06120431R0	60	
3A	BKN-b 2P B3A	06120432R0	60	
4A	BKN-b 2P B4A	06120433R0	60	
6A	BKN-b 2P B6A	06120434R0	60	
10A	BKN-b 2P B10A	06120435R0	60	
16A	BKN-b 2P B16A	06120436R0	60	
20A	BKN-b 2P B20A	06120437R0	60	
25A	BKN-b 2P B25A	06120438R0	60	
32A	BKN-b 2P B32A	06120439R0	60	
40A	BKN-b 2P B40A	06120440R0	60	
50A	BKN-b 2P B50A	06120441R0	60	
63A	BKN-b 2P B63A	06120442R0	60	

Miniature Circuit Breakers

DIN rail mounting

BKN-b type, B curve



10kA at 415VAC



BKN-b 3P

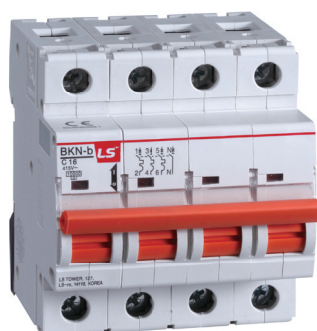
In	Model	Order No.	Pack. unit (Pcs.)	Price
1A	BKN-b 3P B1A	06120443R0	40	
2A	BKN-b 3P B2A	06120444R0	40	
3A	BKN-b 3P B3A	06120445R0	40	
4A	BKN-b 3P B4A	06120446R0	40	
6A	BKN-b 3P B6A	06120447R0	40	
10A	BKN-b 3P B10A	06120448R0	40	
16A	BKN-b 3P B16A	06120449R0	40	
20A	BKN-b 3P B20A	06120450R0	40	
25A	BKN-b 3P B25A	06120451R0	40	
32A	BKN-b 3P B32A	06120452R0	40	
40A	BKN-b 3P B40A	06120453R0	40	
50A	BKN-b 3P B50A	06120454R0	40	
63A	BKN-b 3P B63A	06120455R0	40	



BKN-b 3P+N

10kA at 415VAC

In	Model	Order No.	Pack. unit (Pcs.)	Price
1A	BKN-b 3P+N B1A	06120456R0	30	
2A	BKN-b 3P+N B2A	06120457R0	30	
3A	BKN-b 3P+N B3A	06120458R0	30	
4A	BKN-b 3P+N B4A	06120459R0	30	
6A	BKN-b 3P+N B6A	06120460R0	30	
10A	BKN-b 3P+N B10A	06120461R0	30	
16A	BKN-b 3P+N B16A	06120462R0	30	
20A	BKN-b 3P+N B20A	06120463R0	30	
25A	BKN-b 3P+N B25A	06120464R0	30	
32A	BKN-b 3P+N B32A	06120465R0	30	
40A	BKN-b 3P+N B40A	06120466R0	30	
50A	BKN-b 3P+N B50A	06120467R0	30	
63A	BKN-b 3P+N B63A	06120468R0	30	



BKN-b 4P

10kA at 415VAC

In	Model	Order No.	Pack. unit (Pcs.)	Price
1A	BKN-b 4P B1A	06120430R0	30	
2A	BKN-b 4P B2A	06120431R0	30	
3A	BKN-b 4P B3A	06120432R0	30	
4A	BKN-b 4P B4A	06120433R0	30	
6A	BKN-b 4P B6A	06120434R0	30	
10A	BKN-b 4P B10A	06120435R0	30	
16A	BKN-b 4P B16A	06120436R0	30	
20A	BKN-b 4P B20A	06120437R0	30	
25A	BKN-b 4P B25A	06120438R0	30	
32A	BKN-b 4P B32A	06120439R0	30	
40A	BKN-b 4P B40A	06120440R0	30	
50A	BKN-b 4P B50A	06120441R0	30	
63A	BKN-b 4P B63A	06120442R0	30	

BKN-b type, C curve



10kA at 240/415VAC



BKN-b 1P

In	Model	Order No.	Pack. unit (Pcs.)	Price
1A	BKN-b 1P C1A	06110173R0	120	
2A	BKN-b 1P C2A	06110174R0	120	
3A	BKN-b 1P C3A	06110175R0	120	
4A	BKN-b 1P C4A	06110176R0	120	
6A	BKN-b 1P C6A	06110177R0	120	
10A	BKN-b 1P C10A	06110178R0	120	
16A	BKN-b 1P C16A	06110179R0	120	
20A	BKN-b 1P C20A	06110180R0	120	
25A	BKN-b 1P C25A	06110181R0	120	
32A	BKN-b 1P C32A	06110182R0	120	
40A	BKN-b 1P C40A	06110183R0	120	
50A	BKN-b 1P C50A	06110184R0	120	
63A	BKN-b 1P C63A	06110185R0	120	

10kA at 240/415VAC



BKN-b 1P+N

In	Model	Order No.	Pack. unit (Pcs.)	Price
1A	BKN-b 1P+N C1A	06110186R0	60	
2A	BKN-b 1P+N C2A	06110187R0	60	
3A	BKN-b 1P+N C3A	06110188R0	60	
4A	BKN-b 1P+N C4A	06110189R0	60	
6A	BKN-b 1P+N C6A	06110190R0	60	
10A	BKN-b 1P+N C10A	06110191R0	60	
16A	BKN-b 1P+N C16A	06110192R0	60	
20A	BKN-b 1P+N C20A	06110193R0	60	
25A	BKN-b 1P+N C25A	06110194R0	60	
32A	BKN-b 1P+N C32A	06110195R0	60	
40A	BKN-b 1P+N C40A	06110196R0	60	
50A	BKN-b 1P+N C50A	06110197R0	60	
63A	BKN-b 1P+N C63A	06110198R0	60	

10kA at 415VAC



BKN-b 2P

In	Model	Order No.	Pack. unit (Pcs.)	Price
1A	BKN-b 2P C1A	06110199R0	60	
2A	BKN-b 2P C2A	06110200R0	60	
3A	BKN-b 2P C3A	06110201R0	60	
4A	BKN-b 2P C4A	06110202R0	60	
6A	BKN-b 2P C6A	06110203R0	60	
10A	BKN-b 2P C10A	06110204R0	60	
16A	BKN-b 2P C16A	06110205R0	60	
20A	BKN-b 2P C20A	06110206R0	60	
25A	BKN-b 2P C25A	06110207R0	60	
32A	BKN-b 2P C32A	06110208R0	60	
40A	BKN-b 2P C40A	06110209R0	60	
50A	BKN-b 2P C50A	06110210R0	60	
63A	BKN-b 2P C63A	06110211R0	60	

Miniature Circuit Breakers

DIN rail mounting

BKN-b type, C curve



BKN-b 3P

10kA at 415VAC

In	Model	Order No.	Pack. unit (Pcs.)	Price
1A	BKN-b 3P C1A	06110212R0	40	
2A	BKN-b 3P C2A	06110213R0	40	
3A	BKN-b 3P C3A	06110214R0	40	
4A	BKN-b 3P C4A	06110215R0	40	
6A	BKN-b 3P C6A	06110216R0	40	
10A	BKN-b 3P C10A	06110217R0	40	
16A	BKN-b 3P C16A	06110218R0	40	
20A	BKN-b 3P C20A	06110219R0	40	
25A	BKN-b 3P C25A	06110220R0	40	
32A	BKN-b 3P C32A	06110221R0	40	
40A	BKN-b 3P C40A	06110222R0	40	
50A	BKN-b 3P C50A	06110223R0	40	
63A	BKN-b 3P C63A	06110224R0	40	



BKN-b 3P+N

10kA at 415VAC

In	Model	Order No.	Pack. unit (Pcs.)	Price
1A	BKN-b 3P+N C1A	06110225R0	30	
2A	BKN-b 3P+N C2A	06110226R0	30	
3A	BKN-b 3P+N C3A	06110227R0	30	
4A	BKN-b 3P+N C4A	06110228R0	30	
6A	BKN-b 3P+N C6A	06110229R0	30	
10A	BKN-b 3P+N C10A	06110230R0	30	
16A	BKN-b 3P+N C16A	06110231R0	30	
20A	BKN-b 3P+N C20A	06110232R0	30	
25A	BKN-b 3P+N C25A	06110233R0	30	
32A	BKN-b 3P+N C32A	06110234R0	30	
40A	BKN-b 3P+N C40A	06110235R0	30	
50A	BKN-b 3P+N C50A	06110236R0	30	
63A	BKN-b 3P+N C63A	06110237R0	30	



BKN-b 4P

10kA at 415VAC

In	Model	Order No.	Pack. unit (Pcs.)	Price
1A	BKN-b 4P C1A	06110238R0	30	
2A	BKN-b 4P C2A	06110239R0	30	
3A	BKN-b 4P C3A	06110240R0	30	
4A	BKN-b 4P C4A	06110241R0	30	
6A	BKN-b 4P C6A	06110242R0	30	
10A	BKN-b 4P C10A	06110243R0	30	
16A	BKN-b 4P C16A	06110244R0	30	
20A	BKN-b 4P C20A	06110245R0	30	
25A	BKN-b 4P C25A	06110246R0	30	
32A	BKN-b 4P C32A	06110247R0	30	
40A	BKN-b 4P C40A	06110248R0	30	
50A	BKN-b 4P C50A	06110249R0	30	
63A	BKN-b 4P C63A	06110250R0	30	

BKN-b type, D curve



10kA at 240/415VAC



BKN-b 1P

In	Model	Order No.	Pack. unit (Pcs.)	Price
1A	BKN-b 1P D1A	06110251R0	120	
2A	BKN-b 1P D2A	06110252R0	120	
3A	BKN-b 1P D3A	06110253R0	120	
4A	BKN-b 1P D4A	06110254R0	120	
6A	BKN-b 1P D6A	06110255R0	120	
10A	BKN-b 1P D10A	06110256R0	120	
16A	BKN-b 1P D16A	06110257R0	120	
20A	BKN-b 1P D20A	06110258R0	120	
25A	BKN-b 1P D25A	06110259R0	120	
32A	BKN-b 1P D32A	06110260R0	120	
40A	BKN-b 1P D40A	06110261R0	120	
50A	BKN-b 1P D50A	06110262R0	120	
63A	BKN-b 1P D63A	06110263R0	120	

10kA at 240/415VAC



BKN-b 1P+N

In	Model	Order No.	Pack. unit (Pcs.)	Price
1A	BKN-b 1P+N D1A	06110264R0	60	
2A	BKN-b 1P+N D2A	06110265R0	60	
3A	BKN-b 1P+N D3A	06110266R0	60	
4A	BKN-b 1P+N D4A	06110267R0	60	
6A	BKN-b 1P+N D6A	06110268R0	60	
10A	BKN-b 1P+N D10A	06110269R0	60	
16A	BKN-b 1P+N D16A	06110270R0	60	
20A	BKN-b 1P+N D20A	06110271R0	60	
25A	BKN-b 1P+N D25A	06110272R0	60	
32A	BKN-b 1P+N D32A	06110273R0	60	
40A	BKN-b 1P+N D40A	06110274R0	60	
50A	BKN-b 1P+N D50A	06110275R0	60	
63A	BKN-b 1P+N D63A	06110276R0	60	

10kA at 415VAC



BKN-b 2P

In	Model	Order No.	Pack. unit (Pcs.)	Price
1A	BKN-b 2P D1A	06110277R0	60	
2A	BKN-b 2P D2A	06110278R0	60	
3A	BKN-b 2P D3A	06110279R0	60	
4A	BKN-b 2P D4A	06110280R0	60	
6A	BKN-b 2P D6A	06110281R0	60	
10A	BKN-b 2P D10A	06110282R0	60	
16A	BKN-b 2P D16A	06110283R0	60	
20A	BKN-b 2P D20A	06110284R0	60	
25A	BKN-b 2P D25A	06110285R0	60	
32A	BKN-b 2P D32A	06110286R0	60	
40A	BKN-b 2P D40A	06110287R0	60	
50A	BKN-b 2P D50A	06110288R0	60	
63A	BKN-b 2P D63A	06110289R0	60	

Miniature Circuit Breakers

DIN rail mounting

BKN-b type, D curve



BKN-b 3P

10kA at 415VAC

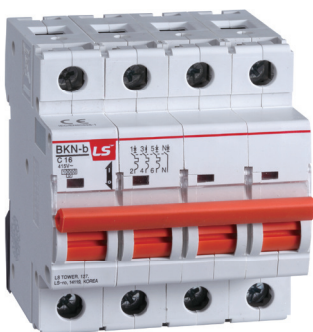
In	Model	Order No.	Pack. unit (Pcs.)	Price
1A	BKN-b 3P D1A	06110290R0	40	
2A	BKN-b 3P D2A	06110291R0	40	
3A	BKN-b 3P D3A	06110292R0	40	
4A	BKN-b 3P D4A	06110293R0	40	
6A	BKN-b 3P D6A	06110294R0	40	
10A	BKN-b 3P D10A	06110295R0	40	
16A	BKN-b 3P D16A	06110296R0	40	
20A	BKN-b 3P D20A	06110297R0	40	
25A	BKN-b 3P D25A	06110298R0	40	
32A	BKN-b 3P D32A	06110299R0	40	
40A	BKN-b 3P D40A	06110300R0	40	
50A	BKN-b 3P D50A	06110301R0	40	
63A	BKN-b 3P D63A	06110302R0	40	



BKN-b 3P+N

10kA at 415VAC

In	Model	Order No.	Pack. unit (Pcs.)	Price
1A	BKN-b 3P+N D1A	06110303R0	30	
2A	BKN-b 3P+N D2A	06110304R0	30	
3A	BKN-b 3P+N D3A	06110305R0	30	
4A	BKN-b 3P+N D4A	06110306R0	30	
6A	BKN-b 3P+N D6A	06110307R0	30	
10A	BKN-b 3P+N D10A	06110308R0	30	
16A	BKN-b 3P+N D16A	06110309R0	30	
20A	BKN-b 3P+N D20A	06110310R0	30	
25A	BKN-b 3P+N D25A	06110311R0	30	
32A	BKN-b 3P+N D32A	06110312R0	30	
40A	BKN-b 3P+N D40A	06110313R0	30	
50A	BKN-b 3P+N D50A	06110314R0	30	
63A	BKN-b 3P+N D63A	06110315R0	30	



BKN-b 4P

10kA at 415VAC

In	Model	Order No.	Pack. unit (Pcs.)	Price
1A	BKN-b 4P D1A	06110316R0	30	
2A	BKN-b 4P D2A	06110317R0	30	
3A	BKN-b 4P D3A	06110318R0	30	
4A	BKN-b 4P D4A	06110319R0	30	
6A	BKN-b 4P D6A	06110320R0	30	
10A	BKN-b 4P D10A	06110321R0	30	
16A	BKN-b 4P D16A	06110322R0	30	
20A	BKN-b 4P D20A	06110323R0	30	
25A	BKN-b 4P D25A	06110324R0	30	
32A	BKN-b 4P D32A	06110325R0	30	
40A	BKN-b 4P D40A	06110326R0	30	
50A	BKN-b 4P D50A	06110327R0	30	
63A	BKN-b 4P D63A	06110328R0	30	



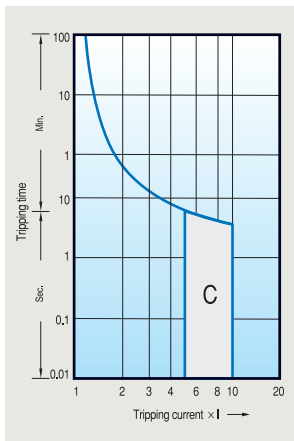
BKH 2P

BKH type (High rupturing capacity)



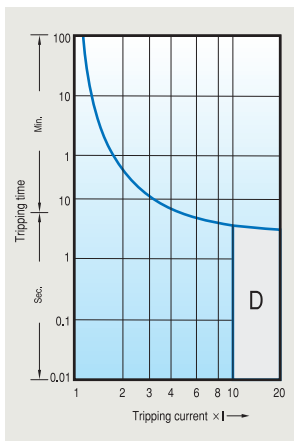
Technical data

Standard	Confirming to IEC 60947-2
Approval	CCC, SEMKO CB, CE, SABS
Protection	Overload and short circuit
Rated current	63, 80, 100, 125A
Rated voltage	1pole 230VAC 50/60Hz 2, 3, 4pole 400VAC 50/60Hz
Breaking capacity	10kA
Characteristic	C, D curve
Number of poles	1P, 2P, 3P, 4P
Rated insulation voltage [Ui]	400V
Rated impulse withstand voltage [Uimp]	4kV
Type of trip	Thermal magnetic release
Type of terminal	Lug type
Terminal capacity	Cables up to 50mm ²
Installation	Mounting on 35mm DIN rail
Width	27mm per pole
Electrical endurance	1,500 operations



C curve

Pole	In	Model	Order No.	Pack. unit (Pcs.)	Price
1P	63A	BKH 1P C63A	06110329R0	72	
	80A	BKH 1P C80A	06110330R0	72	
	100A	BKH 1P C100A	06110331R0	72	
	125A	BKH 1P C125A	06110332R0	72	
2P	63A	BKH 2P C63A	06110337R0	36	
	80A	BKH 2P C80A	06110338R0	36	
	100A	BKH 2P C100A	06110339R0	36	
	125A	BKH 2P C125A	06110340R0	36	
3P	63A	BKH 3P C63A	06110345R0	24	
	80A	BKH 3P C80A	06110346R0	24	
	100A	BKH 3P C100A	06110347R0	24	
	125A	BKH 3P C125A	06110348R0	24	
4P	63A	BKH 4P C63A	06110361R0	18	
	80A	BKH 4P C80A	06110362R0	18	
	100A	BKH 4P C100A	06110363R0	18	
	125A	BKH 4P C125A	06110364R0	18	



D curve

Pole	In	Model	Order No.	Pack. unit (Pcs.)	Price
1P	63A	BKH 1P D63A	06110333R0	72	
	80A	BKH 1P D80A	06110334R0	72	
	100A	BKH 1P D100A	06110335R0	72	
	125A	BKH 1P D125A	06110336R0	72	
2P	63A	BKH 2P D63A	06110341R0	36	
	80A	BKH 2P D80A	06110342R0	36	
	100A	BKH 2P D100A	06110343R0	36	
	125A	BKH 2P D125A	06110344R0	36	
3P	63A	BKH 3P D63A	06110349R0	24	
	80A	BKH 3P D80A	06110350R0	24	
	100A	BKH 3P D100A	06110351R0	24	
	125A	BKH 3P D125A	06110352R0	24	
4P	63A	BKH 4P D63A	06110365R0	18	
	80A	BKH 4P D80A	06110366R0	18	
	100A	BKH 4P D100A	06110367R0	18	
	125A	BKH 4P D125A	06110368R0	18	

Miniature Circuit Breakers

DIN rail mounting

BFN type



BFN

Technical data

Standard	IEC 60947-2
Approval	SEMKO CB, CE
Protection	Overload and short circuit
Rated current	5, 10, 15, 20, 25, 30, 40, 50A
Rated voltage	1pole 10kA at 230VAC 2, 3pole 10kA at 400VAC
Breaking capacity	10kA
Number of poles	1, 2, 3pole
Type of trip	Thermal magnetic release
Type of terminal	Lug type (14-6 AWG.)
Installation	Plug-in
Width	60mm
Slot	56mm
Accessory	Not available

BFN 10kA at 230 VAC



1P

In	Model	Order No.	Pack. unit (Pcs.)	Price
5A	BFN 1P 5A	06110704R0	120	
10A	BFN 1P 10A	06110705R0	120	
15A	BFN 1P 15A	06110706R0	120	
20A	BFN 1P 20A	06110707R0	120	
30A	BFN 1P 30A	06110708R0	120	
40A	BFN 1P 40A	06110709R0	120	
50A	BFN 1P 50A	06110711R0	120	
Weight/pc			0.14kg	

BFN 10kA at 400VAC



2P

In	Model	Order No.	Pack. unit (Pcs.)	Price
5A	BFN 2P 5A	06120681R0	60	
10A	BFN 2P 10A	06120682R0	60	
15A	BFN 2P 15A	06120683R0	60	
20A	BFN 2P 20A	06120684R0	60	
30A	BFN 2P 30A	06120685R0	60	
40A	BFN 2P 40A	06120686R0	60	
50A	BFN 2P 50A	06120687R0	60	
Weight/pc			0.29kg	

BFN 10kA at 400VAC



3P

In	Model	Order No.	Pack. unit (Pcs.)	Price
5A	BFN 3P 5A	06130239R0	40	
10A	BFN 3P 10A	06130240R0	40	
15A	BFN 3P 15A	06130241R0	40	
20A	BFN 3P 20A	06130242R0	40	
30A	BFN 3P 30A	06130243R0	40	
40A	BFN 3P 40A	06130244R0	40	
50A	BFN 3P 50A	06130245R0	40	
Weight/pc			0.43kg	

Residual Current Circuit Breakers With Overcurrent protection

DIN rail mounting

Miniature Circuit Breakers & Residual Current Devices

CE
Certificate



RKP 1P+N

RKP type

Technical data

Standard	IEC 61009	
Approval	CCC, SEMKO CB, CE, SABS	
Protection	Ground fault and overcurrent	
Rated current	3 (C, D curve), 6, 10, 16, 20, 25, 32A (B, C, D curve)	
Rated residual current	Operating, $I_{\Delta n}$	30, 100, 300mA (Non-adjustable)
	Non-operating, $I_{\Delta no}$	$0.5I_{\Delta n}$
Rated voltage	230VAC	
Breaking capacity	4.5kA	
Number of poles	1P+N	
Residual current off-time	≤ 0.1 sec.	
Rated insulation voltage [Ui]	500V	
Rated impulse withstand voltage [Uimp]	4kV	
Type of trip	Ground fault	Electronic
	Overcurrent	Thermal-magnetic
Electrical endurance	4,000 operations	
Mount	On 35mm DIN rail	
Width	9mm per pole	
Terminal	Lug type (Cable up to 10mm ²)	

RKP B curve

In	$I_{\Delta n}$	Model	Order No.	Pack. unit (Pcs.)
3A	30mA	Not applicable	Not applicable	Not applicable
	100mA	Not applicable	Not applicable	Not applicable
	300mA	Not applicable	Not applicable	Not applicable
6A	30mA	RKP 1P+N B6A 30mA	06220123R0	60
	100mA	RKP 1P+N B6A 100mA	06220124R0	60
	300mA	RKP 1P+N B6A 300mA	06220125R0	60
10A	30mA	RKP 1P+N B10A 30mA	06220127R0	60
	100mA	RKP 1P+N B10A 100mA	06220128R0	60
	300mA	RKP 1P+N B10A 300mA	06220129R0	60
16A	30mA	RKP 1P+N B16A 30mA	06220131R0	60
	100mA	RKP 1P+N B16A 100mA	06220132R0	60
	300mA	RKP 1P+N B16A 300mA	06220133R0	60
20A	30mA	RKP 1P+N B20A 30mA	06220135R0	60
	100mA	RKP 1P+N B20A 100mA	06220136R0	60
	300mA	RKP 1P+N B20A 300mA	06220137R0	60
25A	30mA	RKP 1P+N B25A 30mA	06220139R0	60
	100mA	RKP 1P+N B25A 100mA	06220140R0	60
	300mA	RKP 1P+N B25A 300mA	06220141R0	60
32A	30mA	RKP 1P+N B32A 30mA	06220143R0	60
	100mA	RKP 1P+N B32A 100mA	06220144R0	60
	300mA	RKP 1P+N B32A 300mA	06220145R0	60

Residual Current Circuit Breakers With Overcurrent Protection

DIN rail mounting



RKP 1P+N

RKP type

RKP C curve

In	I Δ n	Model	Order No.	Pack. unit (Pcs.)
3A	30mA	RKP 1P+N C3A 30mA	06220147R0	60
	100mA	RKP 1P+N C3A 100mA	06220148R0	60
	300mA	RKP 1P+N C3A 300mA	06220149R0	60
6A	30mA	RKP 1P+N C6A 30mA	06220151R0	60
	100mA	RKP 1P+N C6A 100mA	06220152R0	60
	300mA	RKP 1P+N C6A 300mA	06220153R0	60
10A	30mA	RKP 1P+N C10A 30mA	06220155R0	60
	100mA	RKP 1P+N C10A 100mA	06220156R0	60
	300mA	RKP 1P+N C10A 300mA	06220157R0	60
16A	30mA	RKP 1P+N C16A 30mA	06220159R0	60
	100mA	RKP 1P+N C16A 100mA	06220160R0	60
	300mA	RKP 1P+N C16A 300mA	06220161R0	60
20A	30mA	RKP 1P+N C20A 30mA	06220163R0	60
	100mA	RKP 1P+N C20A 100mA	06220164R0	60
	300mA	RKP 1P+N C20A 300mA	06220165R0	60
25A	30mA	RKP 1P+N C25A 30mA	06220167R0	60
	100mA	RKP 1P+N C25A 100mA	06220168R0	60
	300mA	RKP 1P+N C25A 300mA	06220169R0	60
32A	30mA	RKP 1P+N C32A 30mA	06220171R0	60
	100mA	RKP 1P+N C32A 100mA	06220172R0	60
	300mA	RKP 1P+N C32A 300mA	06220173R0	60



RKP D curve

In	I Δ n	Model	Order No.	Pack. unit (Pcs.)
3A	30mA	RKP 1P+N D3A 30mA	06220175R0	60
	100mA	RKP 1P+N D3A 100mA	06220176R0	60
	300mA	RKP 1P+N D3A 300mA	06220177R0	60
6A	30mA	RKP 1P+N D6A 30mA	06220179R0	60
	100mA	RKP 1P+N D6A 100mA	06220180R0	60
	300mA	RKP 1P+N D6A 300mA	06220181R0	60
10A	30mA	RKP 1P+N D10A 30mA	06220183R0	60
	100mA	RKP 1P+N D10A 100mA	06220184R0	60
	300mA	RKP 1P+N D10A 300mA	06220185R0	60
16A	30mA	RKP 1P+N D16A 30mA	06220187R0	60
	100mA	RKP 1P+N D16A 100mA	06220188R0	60
	300mA	RKP 1P+N D16A 300mA	06220189R0	60
20A	30mA	RKP 1P+N D10A 30mA	06220191R0	60
	100mA	RKP 1P+N D10A 100mA	06220192R0	60
	300mA	RKP 1P+N D10A 300mA	06220193R0	60
25A	30mA	RKP 1P+N D25A 30mA	06220195R0	60
	100mA	RKP 1P+N D25A 100mA	06220196R0	60
	300mA	RKP 1P+N D25A 300mA	06220197R0	60
32A	30mA	RKP 1P+N D32A 30mA	06220199R0	60
	100mA	RKP 1P+N D32A 100mA	06220200R0	60
	300mA	RKP 1P+N D32A 300mA	06220201R0	60



RKS type

Technical data

Standard	Confirming to IEC 61009	
Approval	SEMKO CB, CE, SABS	
Protection	Ground fault and overcurrent	
Rated current	6, 10, 16, 20, 25, 32A	
Rated voltage	230VAC	
Breaking capacity	10kA	
Characteristic	B, C curve	
Rated residual operating current	30, 100mA	
Number of poles	1P+N	
Rated insulation voltage [Ui]	500V	
Rated impulse withstand voltage [Uimp]	4kV	
Type of trip	Ground fault	Electronic
	Overcurrent	Thermal-magnetic
Terminal	Lug type (Cables up to 10mm ²)	
Mount	35mm DIN rail	
Width	18mm	
Electrical endurance	4,000 operations	

RKS B curve

In	I _{Δn}	Model	Order No.	Pack. unit (Pcs.)
6A	30mA	RKS 1P+N B6A 30mA	06220395R0	50
	100mA	RKS 1P+N B6A 100mA	06220396R0	50
10A	30mA	RKS 1P+N B10A 30mA	06220397R0	50
	100mA	RKS 1P+N B10A 100mA	06220398R0	50
16A	30mA	RKS 1P+N B16A 30mA	06220399R0	50
	100mA	RKS 1P+N B16A 100mA	06220400R0	50
20A	30mA	RKS 1P+N B20A 30mA	06220401R0	50
	100mA	RKS 1P+N B20A 100mA	06220402R0	50
25A	30mA	RKS 1P+N B25A 30mA	06220403R0	50
	100mA	RKS 1P+N B25A 100mA	06220404R0	50
32A	30mA	RKS 1P+N B32A 30mA	06220405R0	50
	100mA	RKS 1P+N B32A 100mA	06220406R0	50

RKS C curve

In	I _{Δn}	Model	Order No.	Pack. unit (Pcs.)
6A	30mA	RKS 1P+N C6A 30mA	06220407R0	50
	100mA	RKS 1P+N C6A 100mA	06220408R0	50
10A	30mA	RKS 1P+N C10A 30mA	06220409R0	50
	100mA	RKS 1P+N C10A 100mA	06220410R0	50
16A	30mA	RKS 1P+N C16A 30mA	06220411R0	50
	100mA	RKS 1P+N C16A 100mA	06220412R0	50
20A	30mA	RKS 1P+N C20A 30mA	06220413R0	50
	100mA	RKS 1P+N C20A 100mA	06220414R0	50
25A	30mA	RKS 1P+N C25A 30mA	06220415R0	50
	100mA	RKS 1P+N C25A 100mA	06220416R0	50
32A	30mA	RKS 1P+N C32A 30mA	06220417R0	50
	100mA	RKS 1P+N C32A 100mA	06220418R0	50

Residual Current Circuit Breakers With Overcurrent Protection

DIN rail mounting



RKS-b 1+N

RKS-b type

Technical data

Standard	Confirming to IEC 61009	
Approval	SEMKO CB, CE	
Protection	Ground fault and overcurrent	
Rated current	6, 10, 16, 20, 25, 32, 40, 50A	
Rated voltage	240VAC	
Breaking capacity	10kA	
Characteristic	B, C curve	
Rated residual operating current	30, 100mA	
Number of poles	1P+N	
Rated insulation voltage [Ui]	500V	
Rated impulse withstand voltage [Uimp]	4kV	
Type of trip	Ground fault	Electronic
	Overcurrent	Thermal-magnetic
Terminal	Lug type (Cables up to 10mm ²)	
Mount	35mm DIN rail	
Width	18mm	
Electrical endurance	4,000 operations	

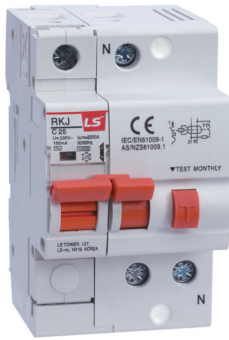
RKS B curve

In	I _{Δn}	Model	Order No.	Pack. unit (Pcs.)
6A	30mA	RKS-b 1P+N B6A 30mA	06220615R0	50
	100mA	RKS-b 1P+N B6A 100mA	06220616R0	50
10A	30mA	RKS-b 1P+N B10A 30mA	06220617R0	50
	100mA	RKS-b 1P+N B10A 100mA	06220618R0	50
16A	30mA	RKS-b 1P+N B16A 30mA	06220619R0	50
	100mA	RKS-b 1P+N B16A 100mA	06220620R0	50
20A	30mA	RKS-b 1P+N B20A 30mA	06220621R0	50
	100mA	RKS-b 1P+N B20A 100mA	06220622R0	50
25A	30mA	RKS-b 1P+N B25A 30mA	06220623R0	50
	100mA	RKS-b 1P+N B25A 100mA	06220624R0	50
32A	30mA	RKS-b 1P+N B32A 30mA	06220625R0	50
	100mA	RKS-b 1P+N B32A 100mA	06220626R0	50
40A	30mA	RKS-b 1P+N B40A 30mA	06220627R0	50
	100mA	RKS-b 1P+N B40A 100mA	06220628R0	50
50A	30mA	RKS-b 1P+N B50A 30mA	06220629R0	50
	100mA	RKS-b 1P+N B50A 100mA	06220630R0	50

RKS C curve

In	I _{Δn}	Model	Order No.	Pack. unit (Pcs.)
6A	30mA	RKS-b 1P+N C6A 30mA	06220647R0	50
	100mA	RKS-b 1P+N C6A 100mA	06220648R0	50
10A	30mA	RKS-b 1P+N C10A 30mA	06220649R0	50
	100mA	RKS-b 1P+N C10A 100mA	06220650R0	50
16A	30mA	RKS-b 1P+N C16A 30mA	06220651R0	50
	100mA	RKS-b 1P+N C16A 100mA	06220652R0	50
20A	30mA	RKS-b 1P+N C20A 30mA	06220653R0	50
	100mA	RKS-b 1P+N C20A 100mA	06220654R0	50
25A	30mA	RKS-b 1P+N C25A 30mA	06220655R0	50
	100mA	RKS-b 1P+N C25A 100mA	06220656R0	50
32A	30mA	RKS-b 1P+N C32A 30mA	06220657R0	50
	100mA	RKS-b 1P+N C32A 100mA	06220658R0	50
40A	30mA	RKS-b 1P+N C40A 30mA	06220659R0	50
	100mA	RKS-b 1P+N C40A 100mA	06220660R0	50
50A	30mA	RKS-b 1P+N C50A 30mA	06220661R0	50
	100mA	RKS-b 1P+N C50A 100mA	06220662R0	50

RKJ type



RKJ 1+N

Technical data

Standard	IEC61009-1	
Approval	SEMKO CB	
Protection	Ground fault and overcurrent	
Poles	1P+N, 2P, 3P, 3P+N, 4P	
Rated current, I _n	1, 2, 3, 4, 5, 6, 10, 13, 16, 20, 25, 32, 40, 50, 63A	
Breaking capacity	6kA	
Rated residual current	Operating, I Δ n	30, 100, 300mA
	Non-Operating, I Δ n ₀	0.5I Δ n
Tripping curve	B, C, D	
Rated voltage	230V (1P+N, 2P), 400V (3P, 3P+N, 4P)	
Residual current off-time	≤0.1sec	
Type of operation	A/AC	
Type of trip	Ground fault	Electro-magnetic
	Overcurrent	Thermal-magnetic
Conditional short circuit capacity	Electrical endurance	4,000
	Mechanical endurance	10,000
Mounting	On 35mm DIN rail	
Width	53.6mm for 1P+N (17.8mm per pole)	
Terminal	Lug type (cable up to 25mm ²)	

DIN rail mounting

RKJ-b type



RKJ-b 1+N

Technical data

Standard	IEC61009-1	
Approval	SEMKO CB	
Protection	Ground fault and overcurrent	
Poles	1P+N, 2P, 3P, 3P+N, 4P	
Rated current, I _n	1, 2, 3, 4, 5, 6, 10, 13, 16, 20, 25, 32, 40, 50, 63A	
Breaking capacity	10kA	
Rated residual current	Operating, I Δ n	30, 100, 300mA
	Non-Operating, I Δ no	0.5I Δ n
Tripping curve	B, C, D	
Rated voltage	230V (1P+N, 2P), 400V (3P, 3P+N, 4P)	
Residual current off-time	≤0.1sec	
Type of operation	A/AC	
Type of trip	Ground fault	Electro-magnetic
	Overcurrent	Thermal-magnetic
Conditional short circuit capacity	Electrical endurance	4,000
	Mechanical endurance	10,000
Mounting	On 35mm DIN rail	
Width	53.6mm for 1P+N (17.8mm per pole)	
Terminal	Lug type (cable up to 25mm ²)	

CE
Certificate



RKC 1+N

RKC type

Technical data

Standard	Confirming to IEC 61009	
Approval	SEMKO CB, CE	
Protection	Ground fault and overcurrent	
Rated current	6, 10, 16, 20, 25, 32A	
Rated voltage	240VAC	
Breaking capacity	6kA (32A 4.5kA)	
Characteristic	B, C curve	
Rated residual operating current	10, 30mA	
Number of poles	1P+N	
Rated insulation voltage [Ui]	600V	
Rated impulse withstand voltage [Uimp]	4kV	
Type of trip	Ground fault	Electronic
	Overcurrent	Thermal-magnetic
Terminal	Lug type (Cables up to 10mm ²)	
Mount	35mm DIN rail	
Width	18mm	
Electrical endurance	4,000 operations	

RKC B curve AC type new ROGY

In	I _{Δn}	Model	Order No.	Pack. unit (Pcs.)
6A	10mA	RKC 1P+N B6A 10mA 6kA	06221020R0	12
	30mA	RKC 1P+N B6A 30mA 6kA	06221026R0	12
10A	10mA	RKC 1P+N B10A 10mA 6kA	06221021R0	12
	30mA	RKC 1P+N B10A 30mA 6kA	06221027R0	12
16A	10mA	RKC 1P+N B16A 10mA 6kA	06221022R0	12
	30mA	RKC 1P+N B16A 30mA 6kA	06221028R0	12
20A	10mA	RKC 1P+N B20A 10mA 6kA	06221023R0	12
	30mA	RKC 1P+N B20A 30mA 6kA	06221029R0	12
25A	10mA	RKC 1P+N B25A 10mA 6kA	06221024R0	12
	30mA	RKC 1P+N B25A 30mA 6kA	06221030R0	12
32A	10mA	RKC 1P+N B32A 10mA 4.5kA	06221025R0	12
	30mA	RKC 1P+N B32A 30mA 4.5kA	06221031R0	12

RKC C curve AC type new ROGY

In	I _{Δn}	Model	Order No.	Pack. unit (Pcs.)
6A	10mA	RKC 1P+N C6A 10mA 6kA	06221032R0	12
	30mA	RKC 1P+N C6A 30mA 6kA	06221038R0	12
10A	10mA	RKC 1P+N C10A 10mA 6kA	06221033R0	12
	30mA	RKC 1P+N C10A 30mA 6kA	06221039R0	12
16A	10mA	RKC 1P+N C16A 10mA 6kA	06221034R0	12
	30mA	RKC 1P+N C16A 30mA 6kA	06221040R0	12
20A	10mA	RKC 1P+N C20A 10mA 6kA	06221035R0	12
	30mA	RKC 1P+N C20A 30mA 6kA	06221041R0	12
25A	10mA	RKC 1P+N C25A 10mA 6kA	06221036R0	12
	30mA	RKC 1P+N C25A 30mA 6kA	06221042R0	12
32A	10mA	RKC 1P+N C32A 10mA 4.5kA	06221037R0	12
	30mA	RKC 1P+N C32A 30mA 4.5kA	06221043R0	12

DIN rail & Screw type



RKC 1+N

RKC type

RKC B curve A type new ROGY

In	I Δ n	Model	Order No.	Pack. unit (Pcs.)
6A	10mA	RKC 1P+N B6A 10mA 6kA	06221044R0	12
	30mA	RKC 1P+N B6A 30mA 6kA	06221050R0	12
10A	10mA	RKC 1P+N B10A 10mA 6kA	06221045R0	12
	30mA	RKC 1P+N B10A 30mA 6kA	06221051R0	12
16A	10mA	RKC 1P+N B16A 10mA 6kA	06221046R0	12
	30mA	RKC 1P+N B16A 30mA 6kA	06221052R0	12
20A	10mA	RKC 1P+N B20A 10mA 6kA	06221047R0	12
	30mA	RKC 1P+N B20A 30mA 6kA	06221053R0	12
25A	10mA	RKC 1P+N B25A 10mA 6kA	06221048R0	12
	30mA	RKC 1P+N B25A 30mA 6kA	06221054R0	12
32A	10mA	RKC 1P+N B32A 10mA 4.5kA	06221049R0	12
	30mA	RKC 1P+N B32A 30mA 4.5kA	06221055R0	12

RKC C curve A type new ROGY

In	I Δ n	Model	Order No.	Pack. unit (Pcs.)
6A	10mA	RKC 1P+N C6A 10mA 6kA	06221056R0	12
	30mA	RKC 1P+N C6A 30mA 6kA	06221062R0	12
10A	10mA	RKC 1P+N C10A 10mA 6kA	06221057R0	12
	30mA	RKC 1P+N C10A 30mA 6kA	06221063R0	12
16A	10mA	RKC 1P+N C16A 10mA 6kA	06221058R0	12
	30mA	RKC 1P+N C16A 30mA 6kA	06221064R0	12
20A	10mA	RKC 1P+N C20A 10mA 6kA	06221059R0	12
	30mA	RKC 1P+N C20A 30mA 6kA	06221065R0	12
25A	10mA	RKC 1P+N C25A 10mA 6kA	06221060R0	12
	30mA	RKC 1P+N C25A 30mA 6kA	06221066R0	12
32A	10mA	RKC 1P+N C32A 10mA 4.5kA	06221061R0	12
	30mA	RKC 1P+N C32A 30mA 4.5kA	06221067R0	12

CE
Certificate


32KGRc/d

KGR type

Technical data

Type	32KGRc	32KGRd
Protection	Ground fault and overcurrent	
Rated current	15, 20, 30A	
Rated residual current		
Operating, $I_{\Delta n}$	15, 30mA (Non-adjustable)	
Non-operating, $I_{\Delta no}$	0.5 $I_{\Delta n}$	
Number of poles	2pole	
Rated voltage	110/220VAC	
Residual current off-time	≤ 0.03 sec.	
Standard	IEC 61009, KS	
Approval	CCC CB	
Type of trip		
Ground fault	Electronic	
Overcurrent	Bimetallic	
Breaking capacity	1.5kA	2.5kA
Electrical endurance	4,000 operations	
Mount	On 35mm DIN rail	
Width	35mm	
Terminal	Screw clamp type (Cable up to 5.5mm ²)	

32KGRc type

In	$I_{\Delta n}$	Model	Order No.	Pack. unit (Pcs.)
15A	15mA	32KGRc 15A 15mA 0.03s	0750000400	60
	30mA	32KGRc 15A 30mA 0.03s	0750000100	60
20A	15mA	32KGRc 20A 15mA 0.03s	0750000500	60
	30mA	32KGRc 20A 30mA 0.03s	0750000200	60
32A	15mA	32KGRc 30A 15mA 0.03s	0750000600	60
	30mA	32KGRc 30A 30mA 0.03s	0750000300	60

32KGRd type

In	$I_{\Delta n}$	Model	Order No.	Pack. unit (Pcs.)
15A	15mA	32KGRd 15A 15mA 0.03s	0748001000	60
	30mA	32KGRd 15A 30mA 0.03s	0748001100	60
20A	15mA	32KGRd 20A 15mA 0.03s	0748001200	60
	30mA	32KGRd 20A 30mA 0.03s	0748001300	60
32A	15mA	32KGRd 30A 15mA 0.03s	0748001400	60
	30mA	32KGRd 30A 30mA 0.03s	0748001500	60

DIN rail & Screw type

GRh type

Technical data



32GRhN

Type	32GRh		
Number of poles	N type	S type	H type
Protection	Ground fault and overcurrent		
Rated current	15, 20, 30A		
Rated residual current			
Operating, $I_{\Delta n}$	15, 30mA (Non-adjustable)		
Non-operating, $I_{\Delta no}$	0.5 $I_{\Delta n}$		
Rated voltage	110/220/230VAC		
Residual current off-time	≤ 0.03 sec.		
Standard	CB (IEC60947/IEC61009-1)		
Type of trip			
Ground fault	Electronic		
Overcurrent	Bimetallic		
Frequency	50/60Hz		
Rated insulation voltage	300V		
Rated impulse voltage	4kV		
Breaking capacity	1.5kA	2.5kA	3.5kA
$I_{cs}=\%I_{cu}$	50%		
Electrical endurance	4,000 operations		
Mount	On 35mm DIN rail		
Width	32mm		
Terminal	Screw clamp type (Cable up to 5.5mm ²)		

CE
Certificate


BS32c/d

BS type

Technical data

Type	BS32c	BS32d
Protection	Overload and short circuit	
Rated current	6, 10, 15, 20, 30A	10, 15, 20, 30A
Rated residual current		
Operating, $I_{\Delta n}$	15, 30mA (Non-adjustable)	
Non-operating, $I_{\Delta no}$	$0.5I_{\Delta n}$	
Number of poles	2pole	
Rated voltage	110/220VAC	
Residual current off-time	≤ 0.03 sec.	
Standard	IEC 60898-1, KS	
Approval	CCC CB	
Type of trip		
Ground fault	Electronic	
Overcurrent	Bimetallic	
Breaking capacity	1.5kA	2.5kA
Electrical endurance	4,000 operations	
Mount	On 35mm DIN rail	
Width	35mm	
Terminal	Screw clamp type (Cable up to 5.5mm ²)	

Residual Current Circuit Breakers

DIN rail mounting

CE
Certificate



RKN type

Technical data

Standard		Confirming to IEC61008
Protection		Ground fault
Rated current		25, 32, 40, 63A
Number of poles		2 (1+N), 4 (3+N)pole
Rated sensitivity currents, $I_{\Delta n}$		30, 100, 300mA
Rated residual non-operating current		$0.5 \times I_{\Delta n}$
Rated voltage	2pole	240VAC
	4pole	240/415VAC
Residual current off-time at $I_{\Delta n}$		$\leq 0.1s$
Rated insulation voltage [Ui]		500V
Rated impulse withstand voltage [Uimp]		4kV
Rated making capacity, Im		500A for In=25, 32, 40A 630A for In=63A
Rated conditional short-circuit current, Inc		6kA for In=25, 32, 40, 63A
Type of trip		Electro-magnetic
Type of terminal		Lug type
Terminal capacity		Cables up to 35mm ²
Installation		35mm DIN rail
Type of operation		A/AC
Slot size		45mm

Order No.

Pole	In	$I_{\Delta n}$	Model	Order No.	Pack. unit (Pcs.)
1P+N	25A	30mA	RKN 1P+N 25A 30mA	06220103R0	60
			RKN 1P+N 32A 30mA	06220106R0	60
			RKN 1P+N 40A 30mA	06220109R0	60
			RKN 1P+N 63A 30mA	06220112R0	60
	32A	100mA	RKN 1P+N 25A 100mA	06220104R0	60
			RKN 1P+N 32A 100mA	06220107R0	60
			RKN 1P+N 40A 100mA	06220110R0	60
			RKN 1P+N 63A 100mA	06220113R0	60
	40A	300mA	RKN 1P+N 25A 300mA	06220105R0	60
			RKN 1P+N 32A 300mA	06220108R0	60
			RKN 1P+N 40A 300mA	06220111R0	60
			RKN 1P+N 63A 300mA	06220114R0	60

Pole	In	$I_{\Delta n}$	Model	Order No.	Pack. unit (Pcs.)
3P+N	25A	30mA	RKN 3P+N 25A 30mA	06240013R0	30
			RKN 3P+N 32A 30mA	06240016R0	30
			RKN 3P+N 40A 30mA	06240019R0	30
			RKN 3P+N 63A 30mA	06240022R0	30
	32A	100mA	RKN 3P+N 25A 100mA	06240014R0	30
			RKN 3P+N 32A 100mA	06240017R0	30
			RKN 3P+N 40A 100mA	06240020R0	30
			RKN 3P+N 63A 100mA	06240023R0	30
	40A	300mA	RKN 3P+N 25A 300mA	06240015R0	30
			RKN 3P+N 32A 300mA	06240018R0	30
			RKN 3P+N 40A 300mA	06240021R0	30
			RKN 3P+N 63A 300mA	06240024R0	30

RKN type

Order No. A type



Pole	In	I _{Δn}	Model	Order No.	Pack. unit (Pcs.)
1P+N	25A	30mA	RKN 1P+N 25A 30mA A type	06220444R0	60
			RKN 1P+N 32A 30mA A type	06220447R0	60
			RKN 1P+N 40A 30mA A type	06220450R0	60
			RKN 1P+N 63A 30mA A type	06220453R0	60
	32A	100mA	RKN 1P+N 25A 100mA A type	06220445R0	60
			RKN 1P+N 32A 100mA A type	06220448R0	60
			RKN 1P+N 40A 100mA A type	06220451R0	60
			RKN 1P+N 63A 100mA A type	06220454R0	60
	40A	300mA	RKN 1P+N 25A 300mA A type	06220446R0	60
			RKN 1P+N 32A 300mA A type	06220449R0	60
			RKN 1P+N 40A 300mA A type	06220452R0	60
			RKN 1P+N 63A 300mA A type	06220455R0	60
63A					

Pole	In	I _{Δn}	Model	Order No.	Pack. unit (Pcs.)
3P+N	25A	30mA	RKN 3P+N 25A 30mA A type	06220456R0	30
			RKN 3P+N 32A 30mA A type	06220459R0	30
			RKN 3P+N 40A 30mA A type	06220462R0	30
			RKN 3P+N 63A 30mA A type	06220465R0	30
	32A	100mA	RKN 3P+N 25A 100mA A type	06220457R0	30
			RKN 3P+N 32A 100mA A type	06220460R0	30
			RKN 3P+N 40A 100mA A type	06220463R0	30
			RKN 3P+N 63A 100mA A type	06220466R0	30
	40A	300mA	RKN 3P+N 25A 300mA A type	06220458R0	30
			RKN 3P+N 32A 300mA A type	06220461R0	30
			RKN 3P+N 40A 300mA A type	06220464R0	30
			RKN 3P+N 63A 300mA A type	06220467R0	30
63A					

Residual Current Circuit Breakers

DIN rail mounting



RKN-b type

Technical data

Standard	Confirming to IEC61008	
Protection	Ground fault	
Rated current	63AF: 25, 40, 63A	100AF: 80, 100A
Number of poles	2 (1+N), 4 (3+N)pole	
Rated sensitivity currents, $I_{\Delta n}$	30, 100, 300mA	
Rated residual non-operating current	$0.5 \times I_{\Delta n}$	
Rated voltage	2pole	240VAC
	4pole	240/415VAC
Residual current off-time at $I_{\Delta n}$	$\leq 0.1s$	
Rated insulation voltage [U_i]	500V	
Rated impulse withstand voltage [U_{imp}]	4kV	
Rated making capacity, I_m	500A for $I_n=25, 32, 40A$ 630A for $I_n=63A$ 800A for $I_n=80A$ 1000A for $I_n=100A$	
Rated conditional short-circuit current, I_{nc}	10kA for $I_n=25, 40, 63, 80, 100A$	
Type of trip	Electro-magnetic	
Type of terminal	Lug type	
Terminal capacity	Cables up to 35mm ²	
Installation	35mm DIN rail	
Type of operation	A/AC	
Slot size	45mm	

Order No.

Pole	I_n	$I_{\Delta n}$	Model	Order No.	Pack. unit (Pcs.)
1P+N	25A	30mA	RKN-b 1P+N 25A 30mA	06220663R0	60
			RKN-b 1P+N 40A 30mA	06220669R0	60
			RKN-b 1P+N 63A 30mA	06220672R0	60
			RKN-b 1P+N 80A 30mA	06220678R0	60
			RKN-b 1P+N 100A 30mA	06220681R0	60
	25A	100mA	RKN-b 1P+N 25A 100mA	06220664R0	60
			RKN-b 1P+N 40A 100mA	06220670R0	60
			RKN-b 1P+N 63A 100mA	06220673R0	60
			RKN-b 1P+N 80A 100mA	06220679R0	60
			RKN-b 1P+N 100A 100mA	06220682R0	60
	25A	300mA	RKN-b 1P+N 25A 300mA	06220665R0	60
			RKN-b 1P+N 40A 300mA	06220671R0	60
			RKN-b 1P+N 63A 300mA	06220674R0	60
			RKN-b 1P+N 80A 300mA	06220680R0	60
			RKN-b 1P+N 100A 300mA	06220683R0	60

Pole	I_n	$I_{\Delta n}$	Model	Order No.	Pack. unit (Pcs.)
1P+N	25A	30mA	RKN-b 3P+N 25A 100mA	06240095R0	30
			RKN-b 3P+N 40A 100mA	06240101R0	30
			RKN-b 3P+N 63A 100mA	06240104R0	30
			RKN-b 3P+N 80A 100mA	06240110R0	30
			RKN-b 3P+N 100A 100mA	06240113R0	30
	25A	100mA	RKN-b 3P+N 25A 300mA	06240096R0	30
			RKN-b 3P+N 40A 300mA	06240102R0	30
			RKN-b 3P+N 63A 300mA	06240105R0	30
			RKN-b 3P+N 80A 300mA	06240111R0	30
			RKN-b 3P+N 100A 300mA	06240114R0	30
	25A	300mA	RKN-b 3P+N 25A 300mA	06240096R0	30
			RKN-b 3P+N 40A 300mA	06240102R0	30
			RKN-b 3P+N 63A 300mA	06240105R0	30
			RKN-b 3P+N 80A 300mA	06240111R0	30
			RKN-b 3P+N 100A 300mA	06240114R0	30

RKN-b type



Order No. A type

Pole	In	I _{Δn}	Model	Order No.	Pack. unit (Pcs.)
1P+N	25A	30mA	RKN-b 1P+N 25A 30mA A type	06220749R0	60
			RKN-b 1P+N 40A 30mA A type	06220755R0	60
			RKN-b 1P+N 63A 30mA A type	06220758R0	60
	40A	100mA	RKN-b 1P+N 25A 100mA A type	06220750R0	60
			RKN-b 1P+N 40A 100mA A type	06220756R0	60
			RKN-b 1P+N 63A 100mA A type	06220759R0	60
	63A	300mA	RKN-b 1P+N 25A 300mA A type	06220751R0	60
			RKN-b 1P+N 40A 300mA A type	06220757R0	60
			RKN-b 1P+N 63A 300mA A type	06220760R0	60

Pole	In	I _{Δn}	Model	Order No.	Pack. unit (Pcs.)
3P+N	25A	30mA	RKN-b 3P+N 25A 30mA A type	06240148R0	30
			RKN-b 3P+N 40A 30mA A type	06240154R0	30
			RKN-b 3P+N 63A 30mA A type	06240157R0	30
	40A	100mA	RKN-b 3P+N 25A 100mA A type	06240149R0	30
			RKN-b 3P+N 40A 100mA A type	06240155R0	30
			RKN-b 3P+N 63A 100mA A type	06240158R0	30
	63A	300mA	RKN-b 3P+N 25A 300mA A type	06240150R0	30
			RKN-b 3P+N 40A 300mA A type	06240156R0	30
			RKN-b 3P+N 63A 300mA A type	06240159R0	30

Rated conditional short-circuit capacity

RCCB (RKN, RKN-b)		BKN 1~63A (B, C, D)	BKN-b 1~63A (B, C, D)	BKH 63~125A (C, D)
1P+N	25A	6kA	10kA	-
	32A	6kA	10kA	-
	40A	6kA	10kA	-
	63A	6kA	10kA	10kA
	80A	-	-	10kA
	100A	-	-	10kA
3P+N	25A	6kA	10kA	-
	32A	6kA	10kA	-
	40A	6kA	10kA	-
	63A	6kA	10kA	10kA
	80A	-	-	10kA
	100A	-	-	10kA

Residual Current Circuit Breakers

DIN rail mounting

CE
Certificate



Isolator, BKD type

Technical data

Number of poles	1, 2, 3, 4pole
Standard	IEC60947-3
Rated current	40, 50, 63, 80, 100, 125A
Rated voltages	230/400VAC
Electrical endurance	63, 80, 100A 125A
	1500 operations 1000 operations
Rated insulation voltage [Ui]	600V
Rated impulse withstand voltage [Uimp]	6kV
Type of terminal	Lug type
Terminal capacity	Cables up to 50mm ²
Installation	Mounting on 35mm DIN rail
Width	17.5mm per pole

Order No.

Pole	In	Model	Order No.	Pack. unit (Pcs.)
1P	40A	BKD 1P 40A	06110112R0	120
	50A	BKD 1P 50A	06110113R0	120
	63A	BKD 1P 63A	06110083R0	120
	80A	BKD 1P 80A	06110084R0	120
	100A	BKD 1P 100A	06110085R0	120
	125A	BKD 1P 125A	06110114R0	120

Pole	In	Model	Order No.	Pack. unit (Pcs.)
2P	40A	BKD 2P 40A	06120304R0	60
	50A	BKD 2P 50A	06120305R0	60
	63A	BKD 2P 63A	06120247R0	60
	80A	BKD 2P 80A	06120248R0	60
	100A	BKD 2P 100A	06120249R0	60
	125A	BKD 2P 125A	06120306R0	60

Pole	In	Model	Order No.	Pack. unit (Pcs.)
3P	40A	BKD 3P 40A	06130092R0	40
	50A	BKD 3P 50A	06130093R0	40
	63A	BKD 3P 63A	06130063R0	40
	80A	BKD 3P 80A	06130064R0	40
	100A	BKD 3P 100A	06130065R0	40
	125A	BKD 3P 125A	06130094R0	40

Pole	In	Model	Order No.	Pack. unit (Pcs.)
4P	40A	BKD 4P 40A	06140185R0	30
	50A	BKD 4P 50A	06140186R0	30
	63A	BKD 4P 63A	06140130R0	30
	80A	BKD 4P 80A	06140131R0	30
	100A	BKD 4P 100A	06140132R0	30
	125A	BKD 4P 125A	06140187R0	30

BF type



BF-a

Description

- Trip unit with a fixed thermal and fixed magnetic trip
- All operating mechanisms are of the quick-make, quick-break type and "trip free"
- Two and three-pole breakers shall have common tripping of allpoles.
- Operating handle is "Trip to Off"
- Operating hand and face plate shall indicate rated ampacity.
- Thermal elements shall be calibrated to operate in a 40°C ambient environment in standard.
- Electrical durability: 10,000 operations at In
- Reference temperature: 40°C
- Connection by clamp terminal
- Offering the same slot and depth size with the GB type MCCBs.
 - 60mm depth
 - 50mm slot

Technical data

Type	BF-a	
Rated current	10~100A	
Breaking capacity, Icu	240V	10kA
	415V	2.5kA (2, 3pole)
Rated insulation voltage	460VAC	
Number of poles	1, 2, 3pole	
Standard	IEC 60947-2	
Protection	Overload and short circuit	
Characteristic	See operating curves (p. 50)	
Type of trip	Thermal magnetic release	
Type of terminal	Clamp type	
Installation	Holder mounting (Bolt on with fixing brackets)	
Electrical endurance	1,500 operations	
Width	25mm per pole	
Slot	50mm	
Accessory	Not available	

60mm depth Miniature Circuit Breakers

BF type

BF-a (10kA at 240VAC/2.5kA at 415VAC)



In	1Pole				2Pole				3Pole			
	Model	Order No.	Pack. unit (Pcs.)	Price	Model	Order No.	Pack. unit (Pcs.)	Price	Model	Order No.	Pack. unit (Pcs.)	Price
10A	BF51a 10A	0607005100	60		BF52a 10A	0607006500	30		BF53a 10A	0607007900	20	
15A	BF51a 15A	0607005200	60		BF52a 15A	0607006600	30		BF53a 15A	0607008000	20	
20A	BF51a 20A	0607005300	60		BF52a 20A	0607006700	30		BF53a 20A	0607008100	20	
30A	BF51a 30A	0607005400	60		BF52a 30A	0607006800	30		BF53a 30A	0607008200	20	
40A	BF51a 40A	0607005500	60		BF52a 40A	0607006900	30		BF53a 40A	0607008300	20	
50A	BF51a 50A	0607005600	60		BF52a 50A	0607007000	30		BF53a 50A	0607008400	20	
60A	BF101a 60A	0608002100	60		BF102a 60A	0608002700	30		BF103a 60A	0608003300	20	
75A	BF101a 75A	0608002200	60		BF102a 75A	0608002800	30		BF103a 75A	0608003400	20	
100A	BF101a 100A	0608002300	60		BF102a 100A	0608002900	30		BF103a 100A	0608003500	20	
Weight/ pc	0.11kg				0.23kg				0.35kg			



Description

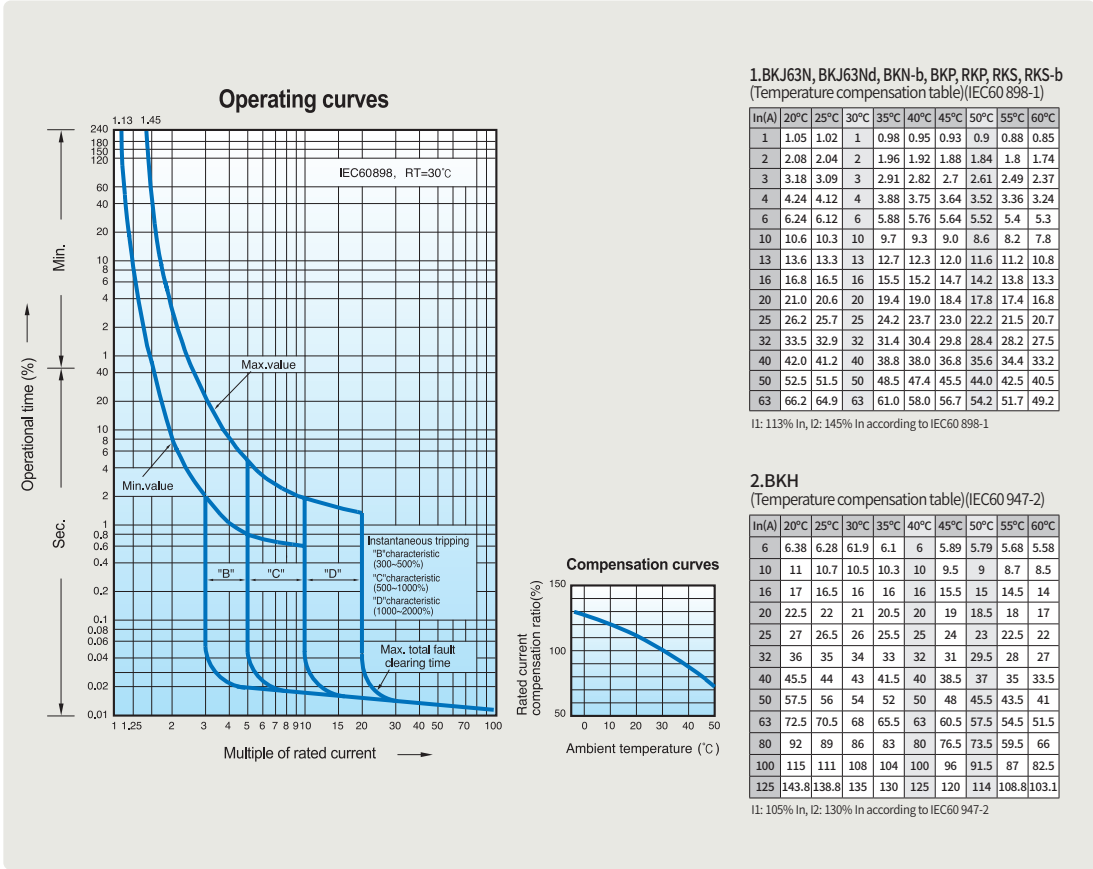
- Applicable to the 18mm wide module devices
- Rated voltage: 415VAC, 1000VDC
- Current rating: 63A
- Standard length: 1m

Type BB101	For single pole device
Type BB102	
Type BB201	For 2-pole device
Type BB202	
Type BB301	For 3-pole device
Type BB302	
Type BB401	For 4-pole device
Type BB402	

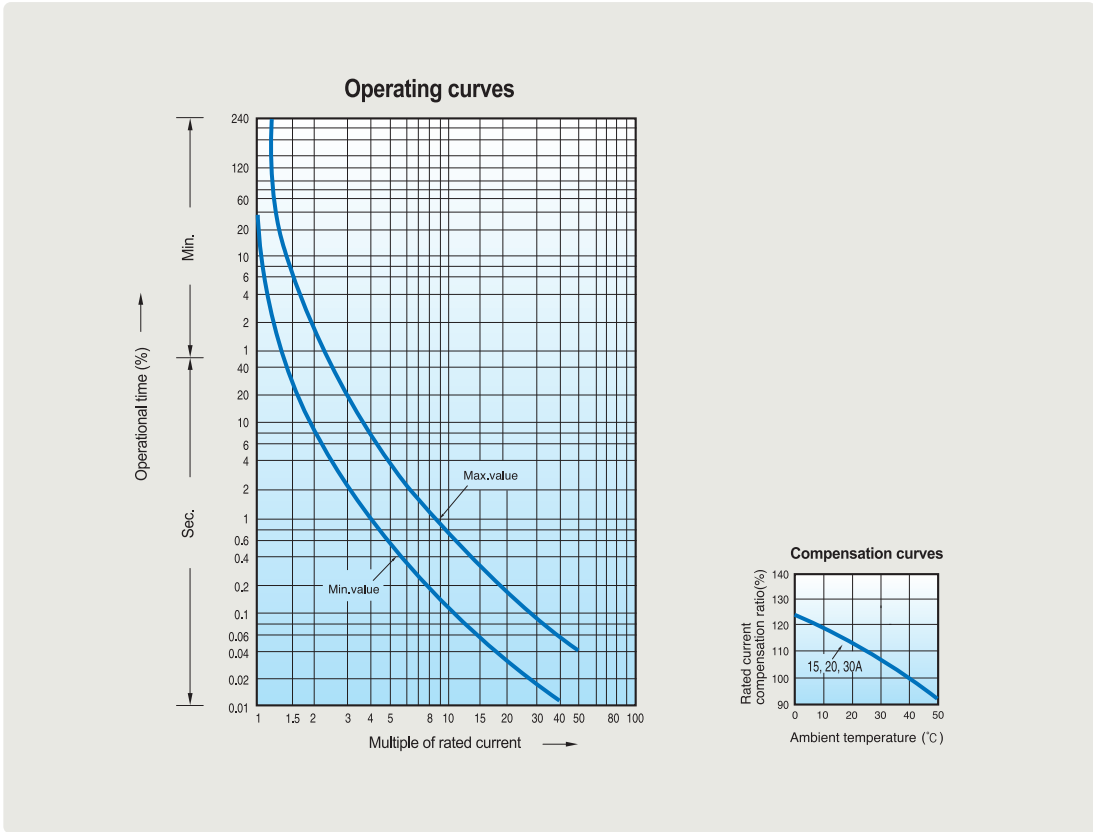
Model	Order No.
Busbar, type BB101: BKJ63N, BKJ63Nd, BKN-b 1P	70211413001
Busbar, type BB102: BKJ63Nd, BKN-b 1P	70211413002
Busbar, type BB201: BKJ63N, BKJ63Nd, BKN-b 2P	70211413003
Busbar, type BB202: BKJ63Nd, BKN-b 2P	70211413004
Busbar, type BB301: BKJ63N, BKJ63Nd, BKN-b 3P	70211413005
Busbar, type BB302: BKJ63Nd, BKN-b 3P	70211413006
Busbar, type BB401: BKJ63N, BKJ63Nd, BKN-b 4P	70211413007
Busbar, type BB402: BKJ63Nd, BKN-b 4P	70211413008

Characteristics curves & temperature compensation

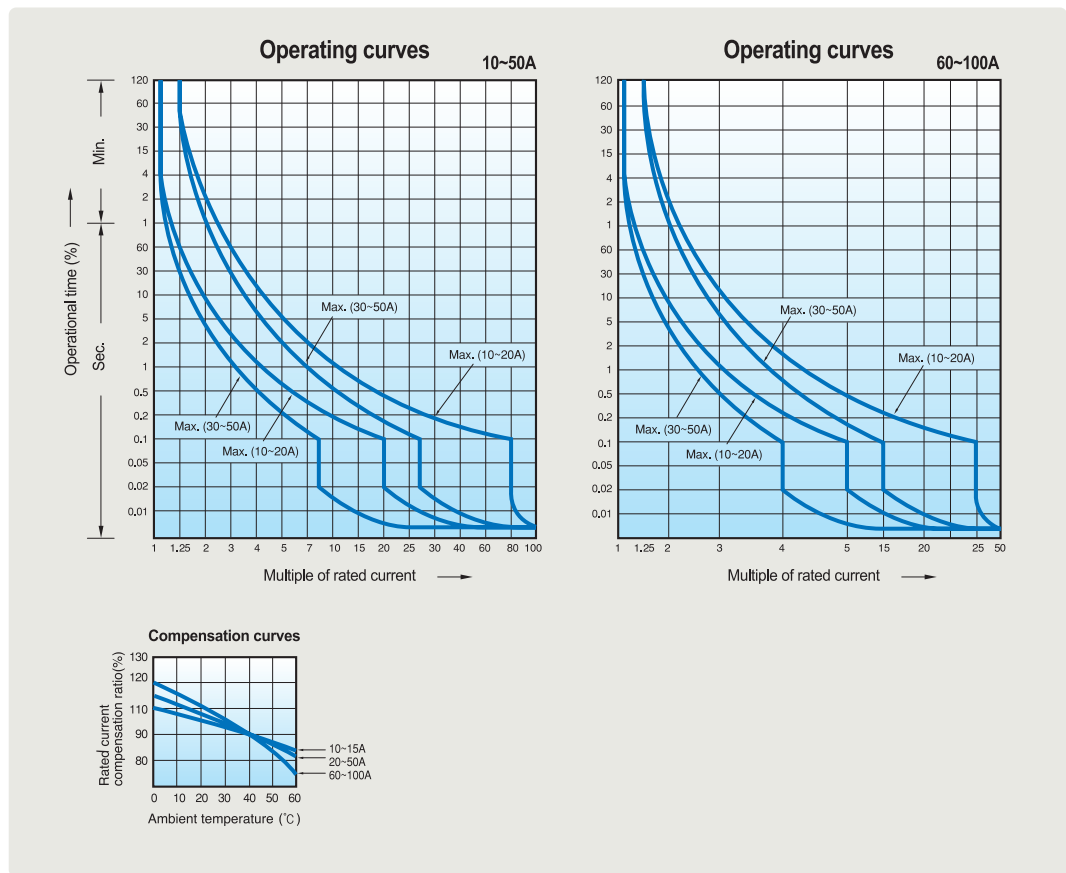
- BKJ63N
- BKJ63Nd
- BKN-b
- BKH
- BKP
- RKP
- RKS
- RKS-b



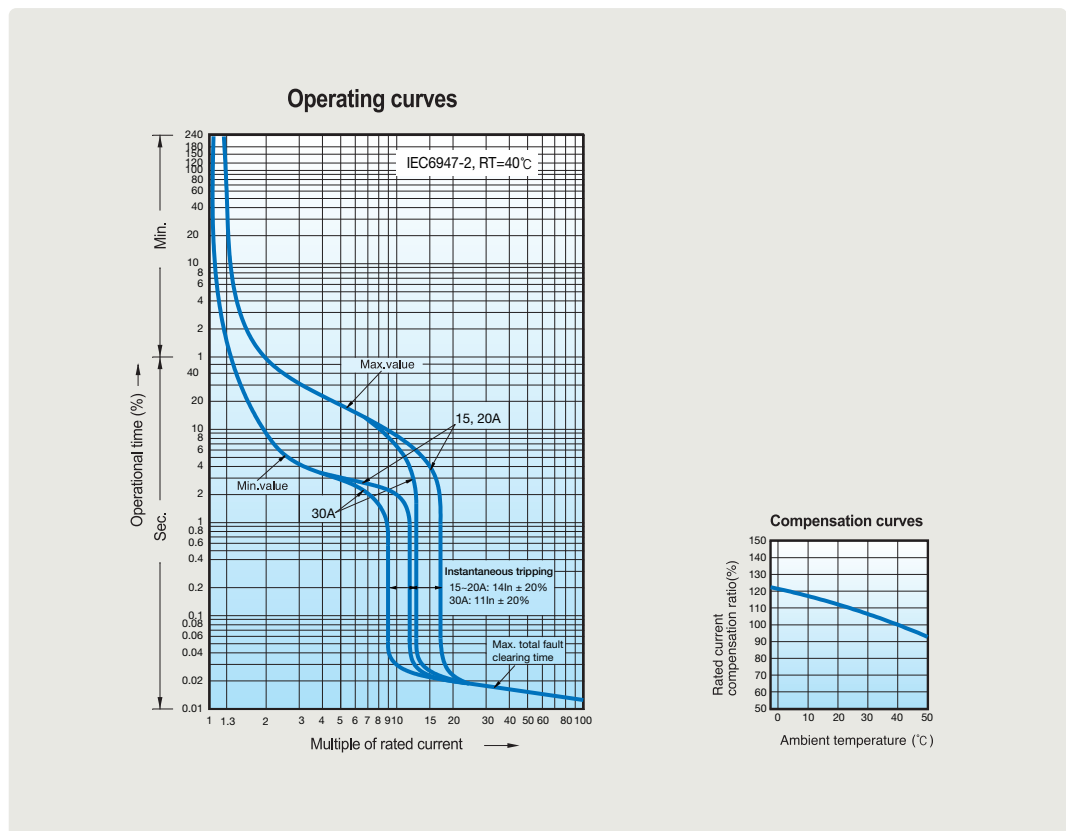
- 32KGRc
- 32KGRd



BF-a
BF-c

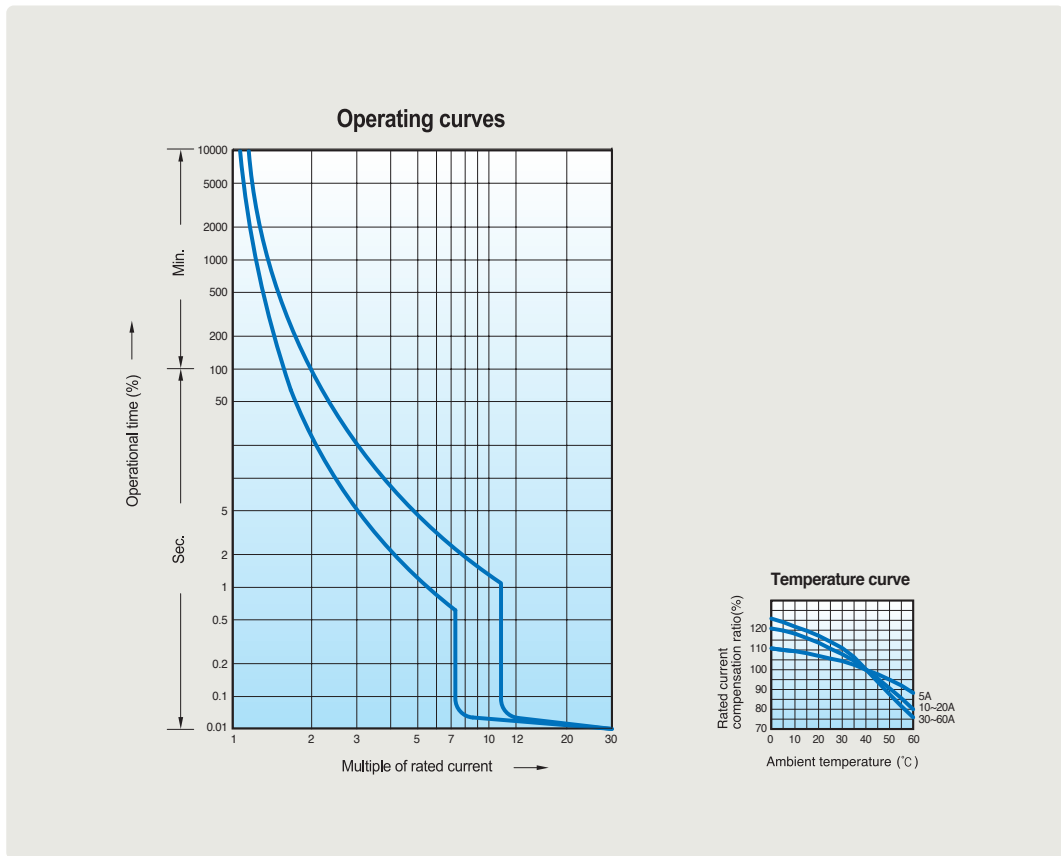


32GRh

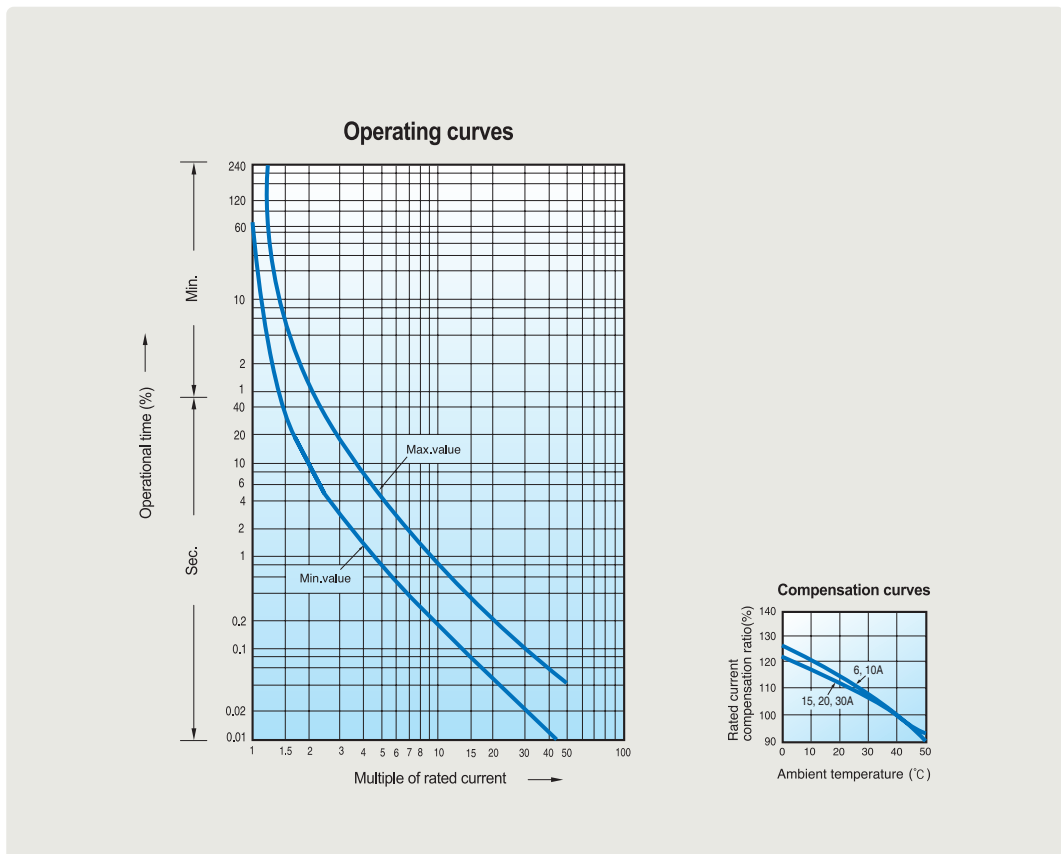


Overall dimensions

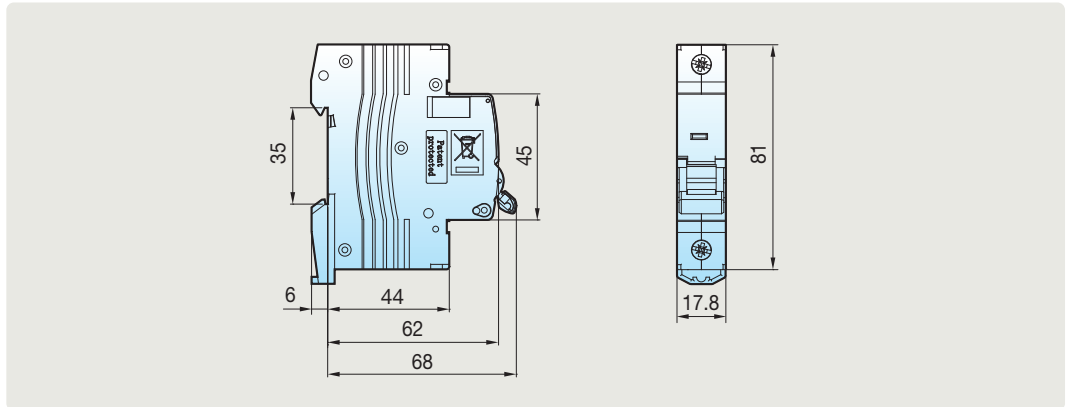
BFN



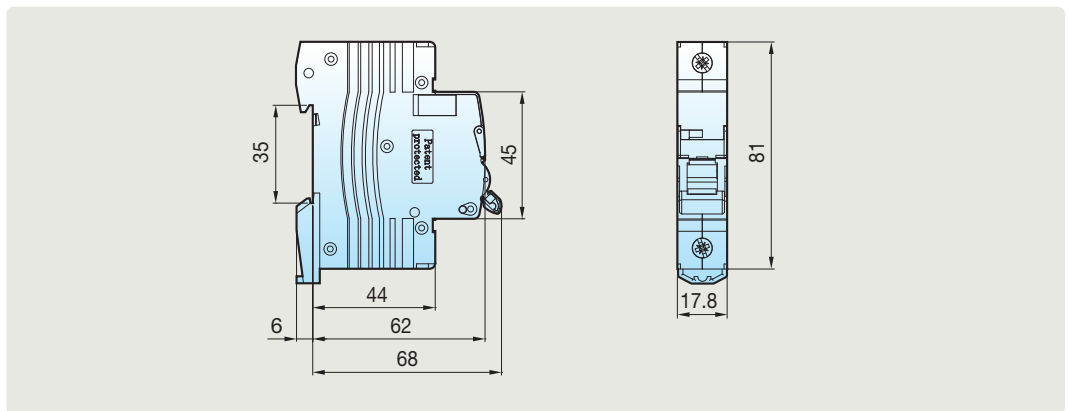
BS



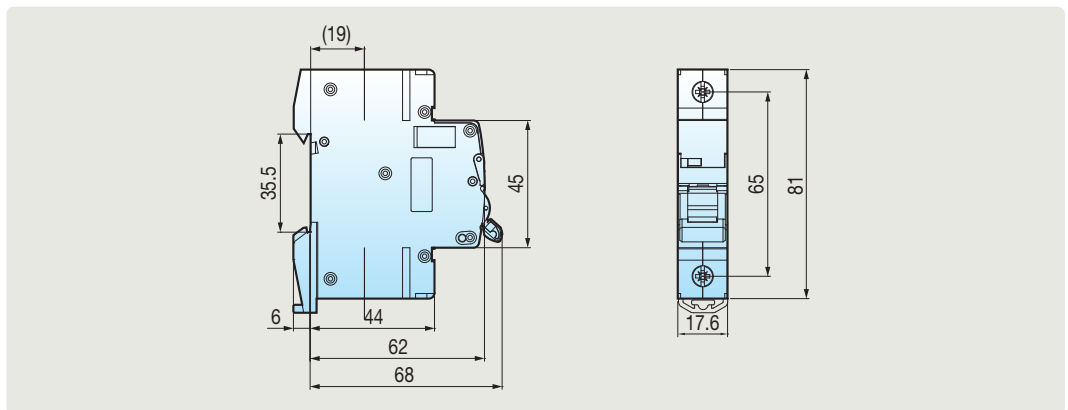
BKJ63N



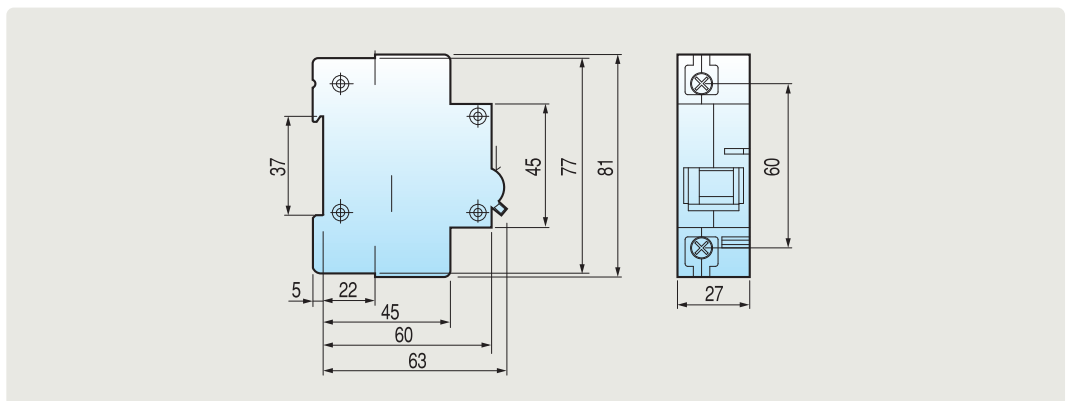
BKJ63Nd



BKN-b

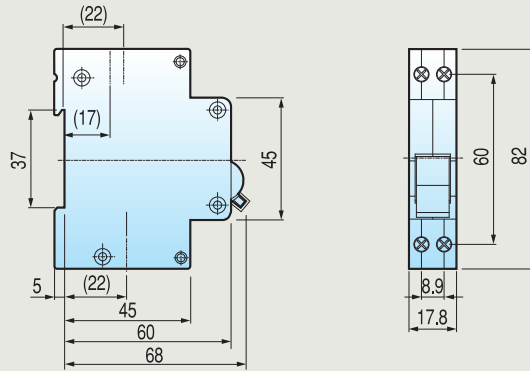


BKH

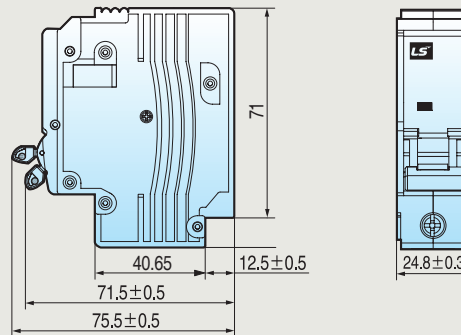


Overall dimensions

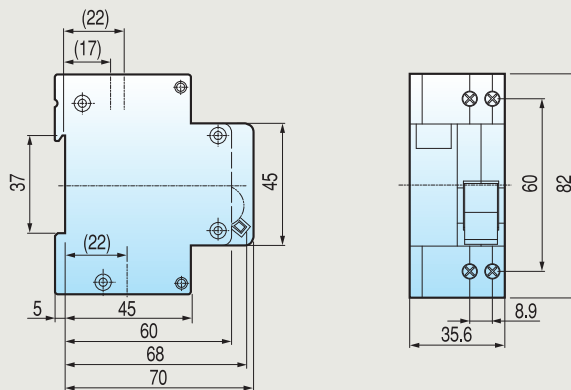
BKP



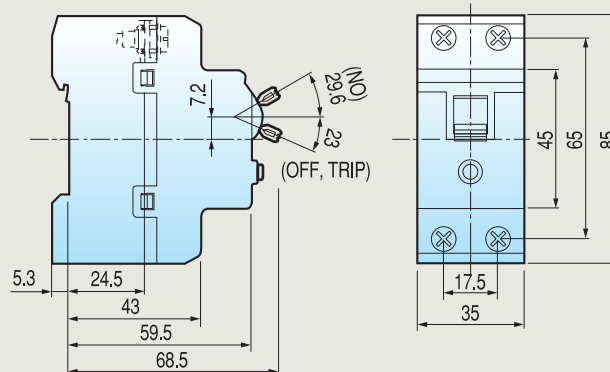
BFN



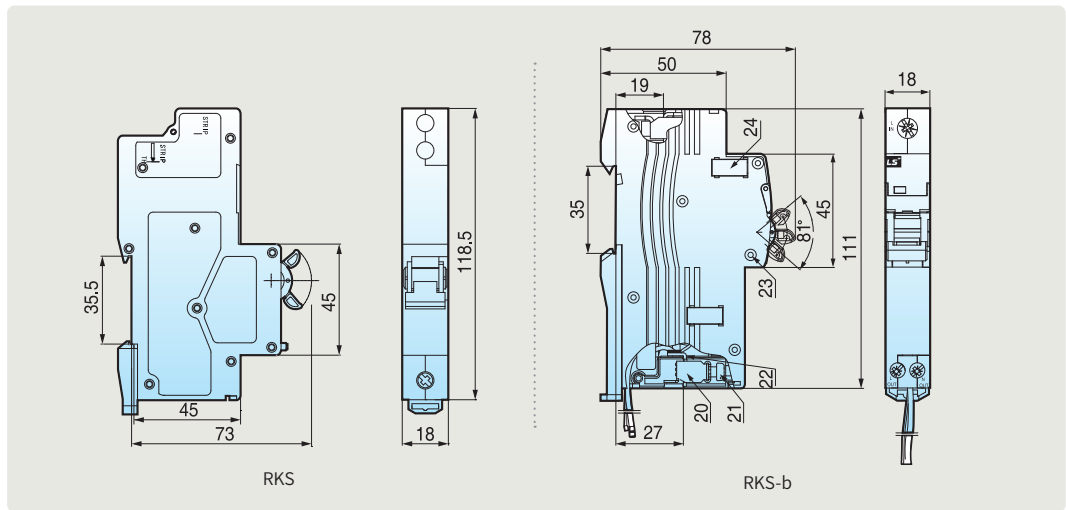
RKP



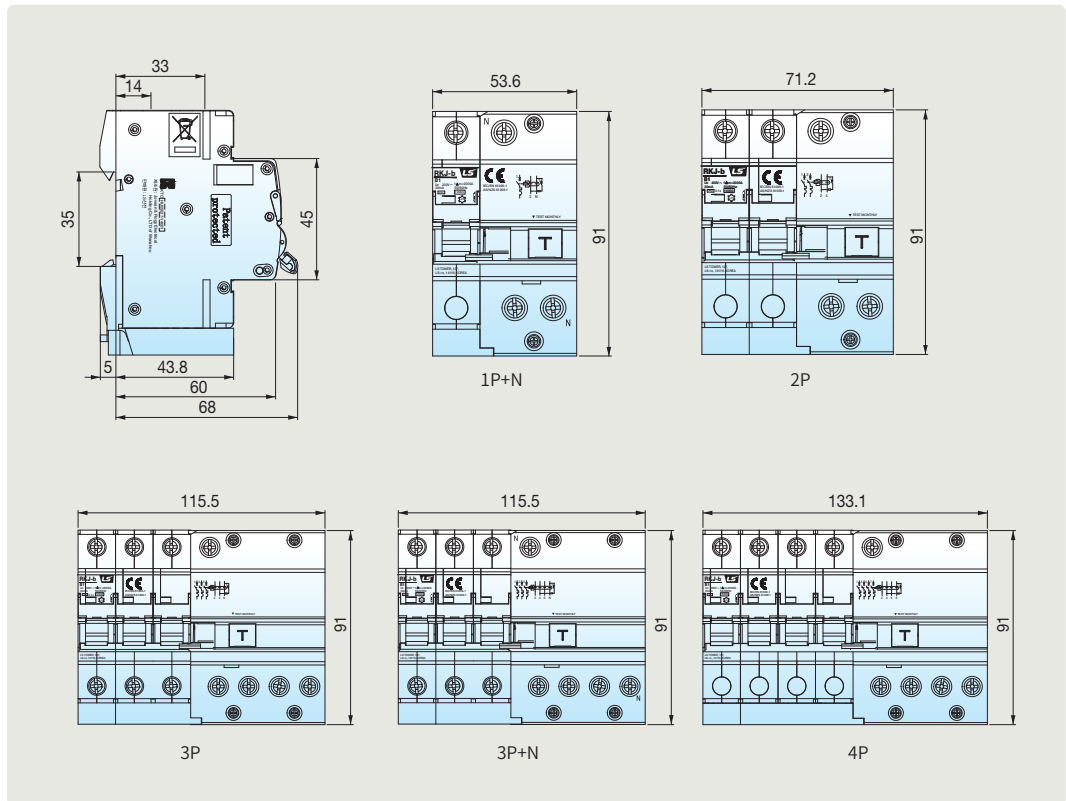
32GRc/d



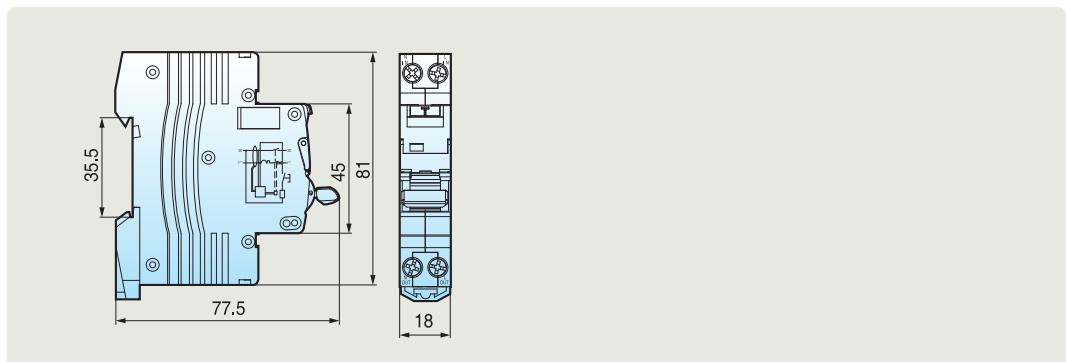
RKS
RKS-b



RKJ
RKJ-b

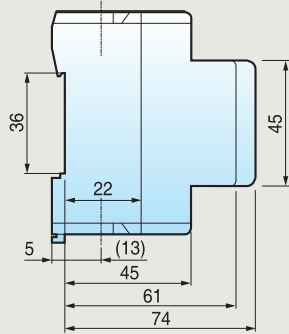


RKC

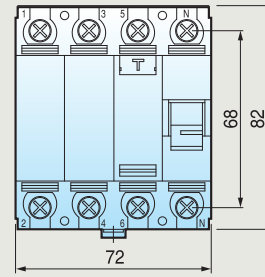
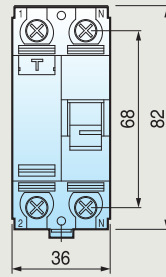


Overall dimensions

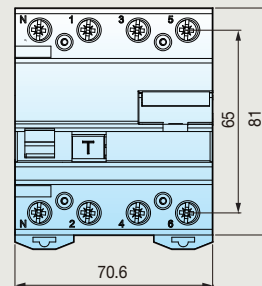
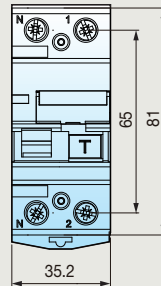
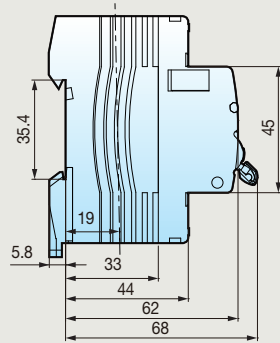
RKN



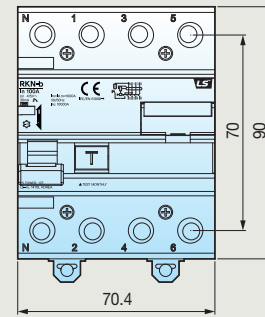
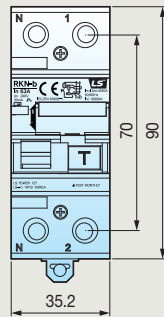
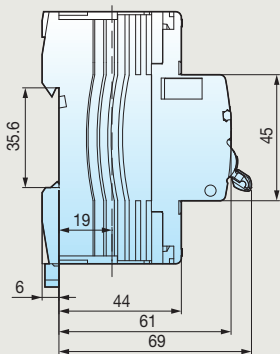
Note. () 63AF.



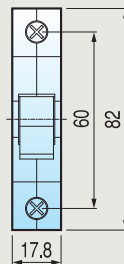
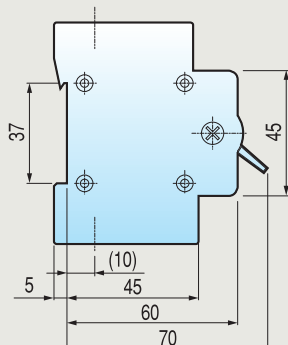
RKN-b (63AF)



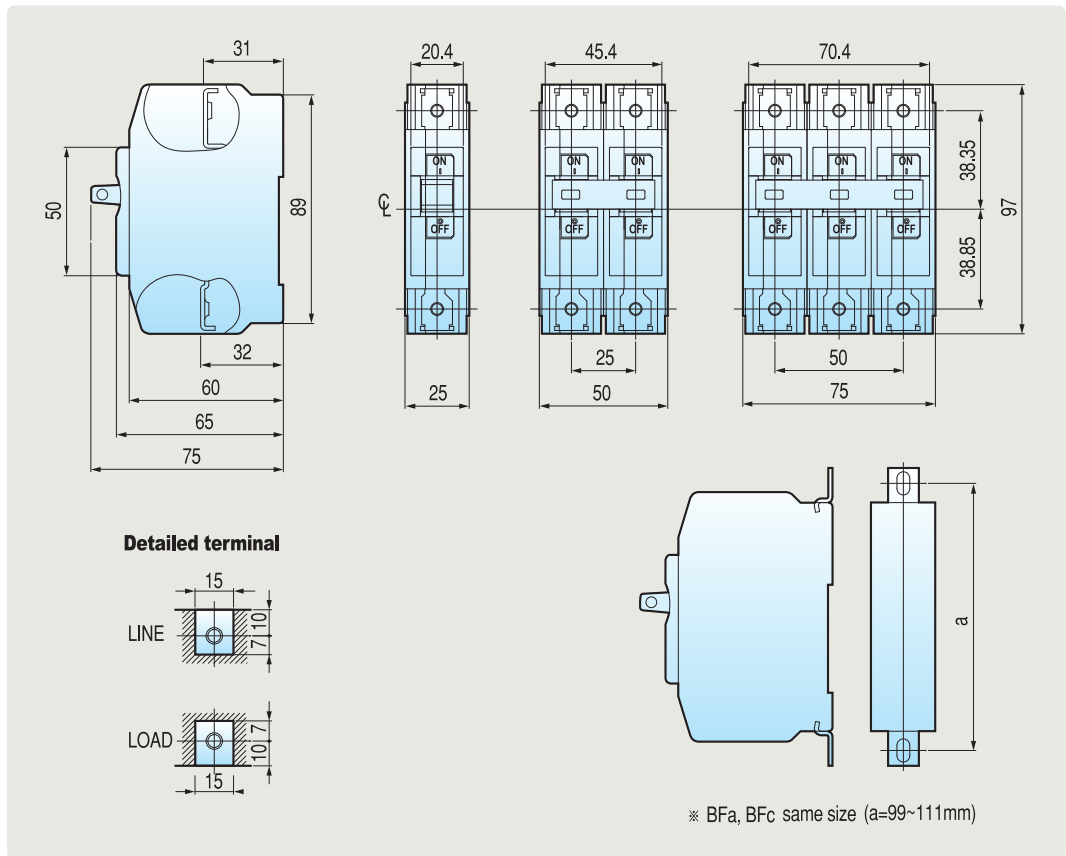
RKN-b (100AF)



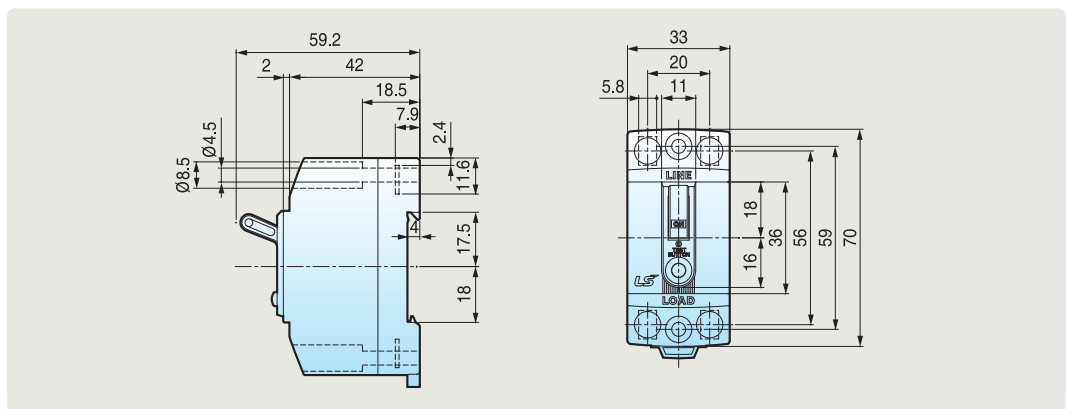
BKD



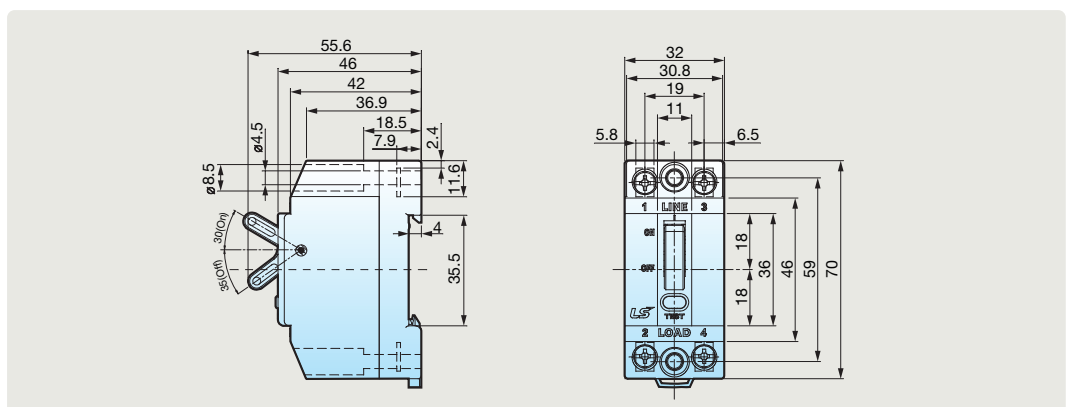
BF-a



BS32c/d



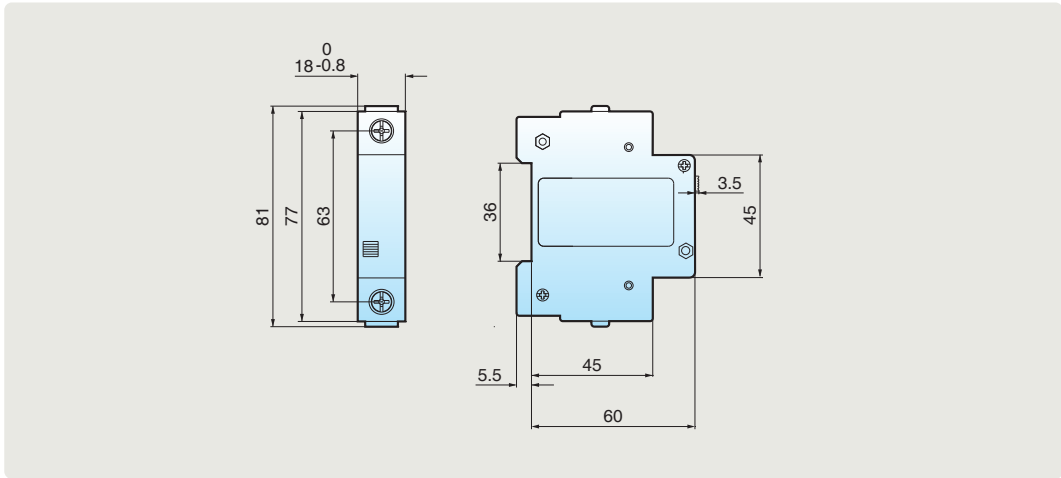
32GRh



Overall dimensions

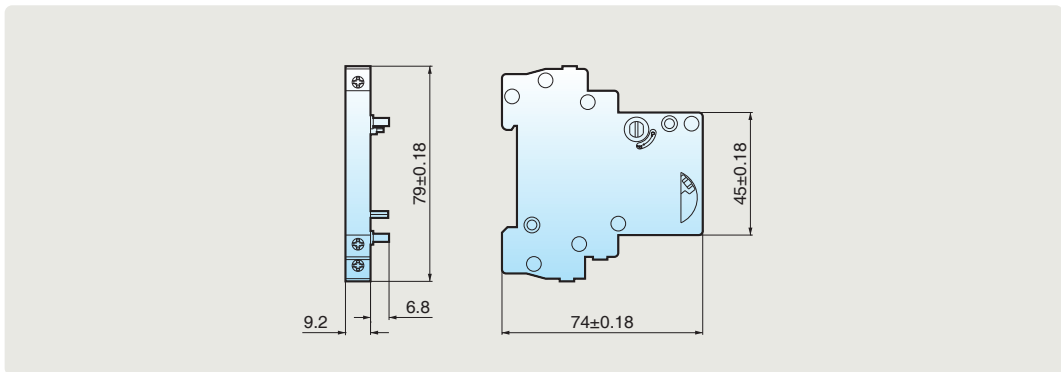
SHT

UVT/OVT



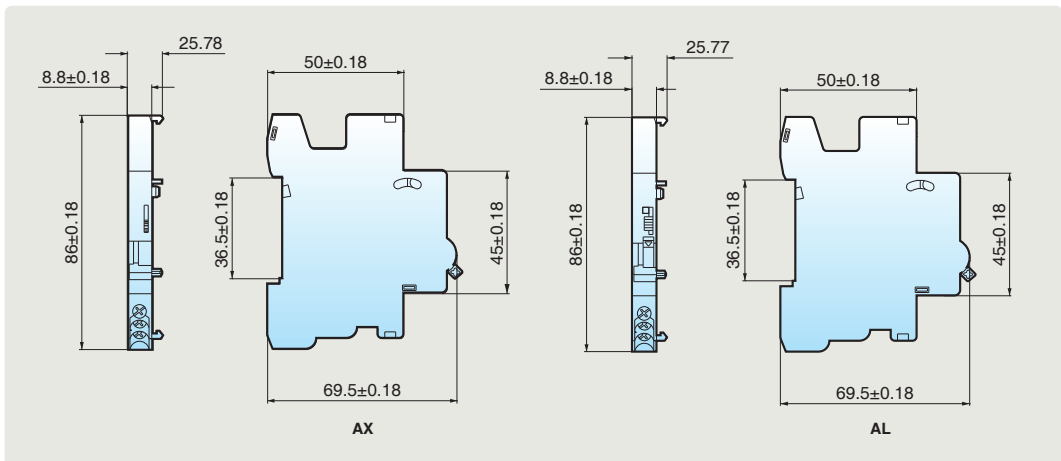
BKN

AX/AL



BKN-b

AX/AL



What is RoHS?

The RoHS (Restriction of Hazardous Substances) is an EU Directive that specifically identifies six key materials so that manufacturers are held responsible for ensuring that their products contain controlled concentrations of the six substances restricted by the Directive.

The Six Hazardous Substances: Below 1,000ppm of Lead (Pb), Mercury (Hg), Hexavalent Chromium (Cr+6), Polybrominated Biphenyls (PBB) and Polybrominated Biphenyl Ethers (PBDE), and below 100ppm of Cadmium (Cd).

- ▶ **RoHS : Directive on the Restriction of Hazardous Substances in the Electronic Equipment (Effective on February 13, 2003)**

LSIS Environmental Policy and **RoHS Compliance**

- RoHS
- CEOs Message
- Environmentally-friendly Management and Policy
- RoHS Compliance Declaration

What is RoHS?

The RoHS (Restriction of Hazardous Substances) is an EU Directive that specifically identifies six key materials so that manufacturers are held responsible for ensuring that their products contain controlled concentrations of the six substances restricted by the Directive.

The Six Hazardous Substances: Below 1,000ppm of Lead (Pb), Mercury (Hg), Hexavalent Chromium (Cr⁺⁶), Polybrominated Biphenyls (PBB) and Polybrominated Biphenyl Ethers (PBDE), and below 100ppm of Cadmium (Cd)

Refer to Related Regulations Laws for exceptions. LSIS circuit breakers are excluded.

▶ RoHS: Directive on the Restriction of Hazardous Substances in the Electrical and Electronic Equipment (Effective on February 13, 2003)

Application

Products

manufactured by LSIS do not directly apply to the RoHS Directive. However, small inverters imbedded in sports equipment and small breakers in large home appliances can be indirectly applied to the Directive.

LSIS continues to comply with the RoHS directive in order to establish environmentally friendly management policies and gain global competitiveness for our products.

According to the regulation, eight of the 10 WEEE products excluding 'medical equipment' and 'control systems' must be RoHS compliant.

Environmental policy and RoHS compliance

LS ELECTRIC LS ELECTRIC Co., Ltd.
LS Tower, 127, LS-ro, Dongan-gu, Anyang-si, Gyeonggi-do, 14119, Republic of Korea

Declaration of Conformity

This declaration of conformity is issued under the responsibility of the manufacturer LS ELECTRIC Co., Ltd.

The products of the declaration described below are in conformity with Directive 2011/65/EU of the European Parliament and of the Council on June 8, 2011 on the restriction of the use of certain hazardous substances in electrical and electronic equipment.

Related Products:

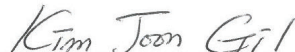
- Molded Case Circuit Breaker (MCCB)
- Earth Leakage Circuit Breaker (ELCB)
- Miniature Circuit Breaker (MCB)
- Residual Current Circuit Breaker (RCCB)
- Residual Current Circuit Breaker with overcurrent protection (RCBO)
- Magnetic Switch (MC, TOR)
- Manual Motor Starter (MMS)
- Surge Protective Device (SPD)
- Air Circuit Breaker (ACB)
- Protection & Measurement Device (IED)
- Human Machine Interface (HMI)
- DC Relay
- Programmable Logic Controller (PLC)
- Variable Frequency Drive (AC Drive)
- Servo Drive & Motor & Gearbox

EU RoHS declared Directive 2011/65/EU, Directive 2015/863/EU and its subsequent amendments. Homogeneous materials of parts compliant to this legislation have less than 0.1 % by weight each of lead, mercury, hexavalent chromium, PBB, PBDE, DEHP, BBP, DBP, DIBP and 0.01 % by weight of cadmium. Herewith, we confirm that all the above products do not exceed the maximum values of the RoHS Directive. These values do not apply to the exemptions listed in Annex III of the RoHS Directive.

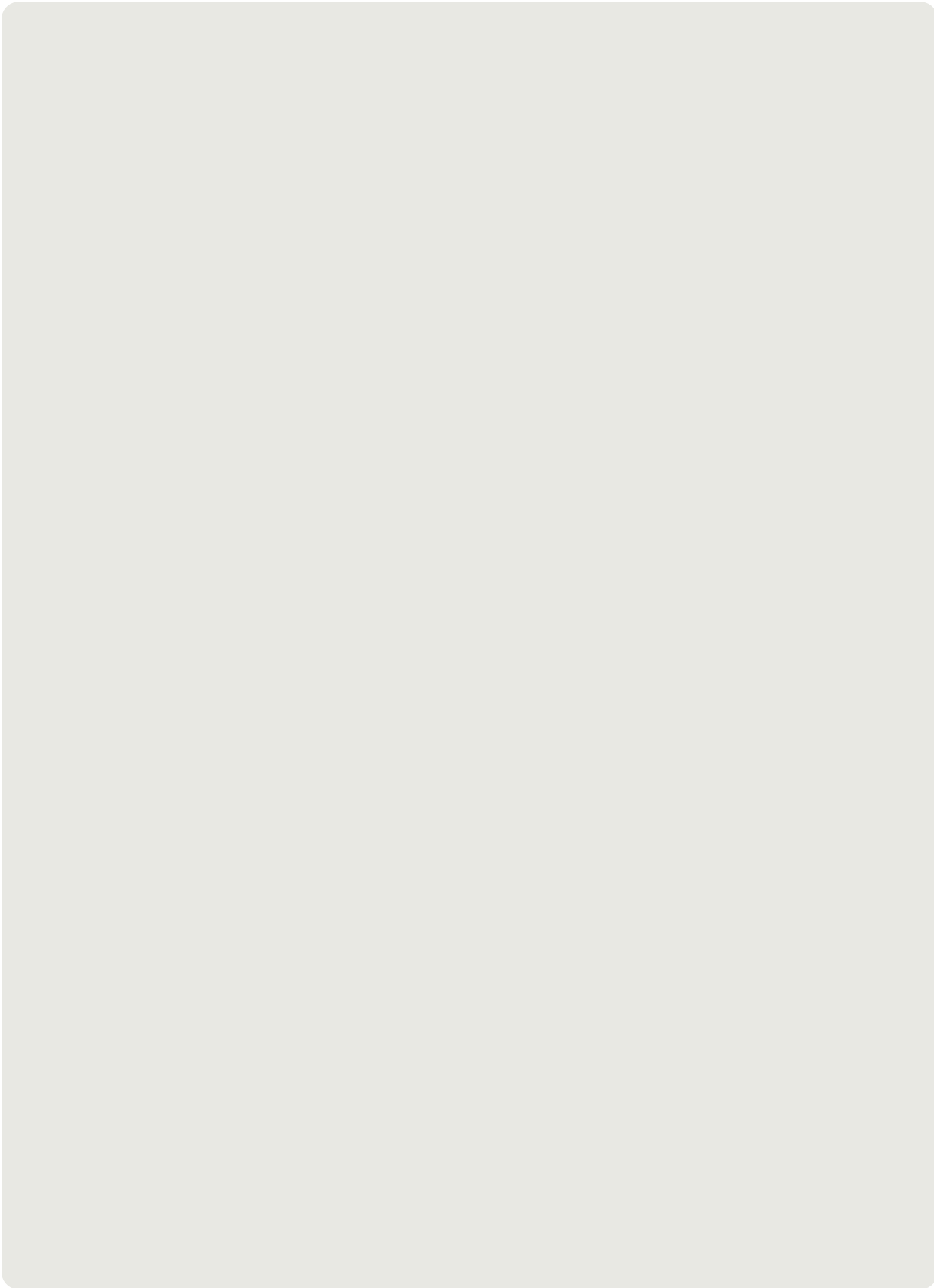
Date of issue: March 24, 2020

Name and signature of the authorized person:

Management representative of the companywide quality management systems, Director.

Joon-Gil Kim 







Safety Instructions

- For your safety, please read user's manual thoroughly before operating.
- Contact the nearest authorized service facility for examination, repair, or adjustment.
- Please contact qualified service technician when you need maintenance. Do not disassemble or repair by yourself!
- Any maintenance and inspection shall be performed by the personnel having expertise concerned.



- According to The WEEE Directive, please do not discard the device with your household waste.



www.ls-electric.com

■ **Headquarter**

127 LS-ro (Hogye-dong) Dongan-gu, Anyang-si, Gyeonggi-Do, 14119, Korea

■ **Seoul Office**

LS Yongsan Tower, 92, Hangang-daero, Yongsan-gu, Seoul, 04386, Korea
Tel. 82-2-2034-4916, 4684, 4429

■ **Overseas Subsidiaries**

- **LS ELECTRIC Japan Co., Ltd. (Tokyo, Japan)**
Tel: 81-3-6268-8241 E-Mail: japan@ls-electric.com
- **LS ELECTRIC (Dalian) Co., Ltd. (Dalian, China)**
Tel: 86-411-8730-5872 E-Mail: china.dalian@ls-electric.com.cn
- **LS ELECTRIC (Wuxi) Co., Ltd. (Wuxi, China)**
Tel: 86-510-6851-6666 E-Mail: china.wuxi@ls-electric.com.cn
- **LS ELECTRIC Vietnam Co., Ltd. (Hanoi, Vietnam)**
Tel: 84-93-631-4099 E-Mail: vietnam@ls-electric.com
- **LS ELECTRIC Middle East FZE (Dubai, U.A.E.)**
Tel: 971-4-886-5360 E-Mail: middleeast@ls-electric.com
- **LS ELECTRIC Europe B.V. (Hoofddorp, Netherlands)**
Tel: 31-20-654-1424 E-Mail: europartner@ls-electric.com
- **LS ELECTRIC America Inc. (Chicago, USA)**
Tel: 1-800-891-2941 E-Mail: sales.us@lselectricamerica.com
- **LS ENERGY SOLUTIONS LLC (Charlotte, USA)**
Tel: 1-704-587-4051 E-Mail: cmfeldman@ls-es.com
- **LS ELECTRIC Turkey Co., Ltd. (Istanbul, Turkey)**
Tel: 90-212-806-1252 E-Mail: turkey@ls-electric.com

■ **Overseas Branches**

- **LS ELECTRIC Tokyo Office (Japan)**
Tel: 81-3-6268-8241 E-Mail: tokyo@ls-electric.com
- **LS ELECTRIC Beijing Office (China)**
Tel: 86-10-5095-1631 E-Mail: china@lselectric.com.cn
- **LS ELECTRIC Shanghai Office (China)**
Tel: 86-21-5237-9977 E-Mail: china@lselectric.com.cn
- **LS ELECTRIC Guangzhou Office (China)**
Tel: 86-20-3818-2883 E-Mail: china@lselectric.com.cn
- **LS ELECTRIC Chengdu Office (China)**
Tel: 86-28-8670-3201 E-Mail: china@lselectric.com.cn
- **LS ELECTRIC Qingdao Office (China)**
Tel: 86-532-8501-2065 E-Mail: china@lselectric.com.cn
- **LS ELECTRIC Nanjing Office (China)**
Tel: 86-25-8467-0005 E-Mail: china@lselectric.com.cn
- **LS ELECTRIC Bangkok Office (Thailand)**
Tel: 66-90-950-9683 E-Mail: thailand@ls-electric.com
- **LS ELECTRIC Jakarta Office (Indonesia)**
Tel: 62-21-2933-7614 E-Mail: indonesia@ls-electric.com
- **LS ELECTRIC Moscow Office (Russia)**
Tel: 7-499-682-6130 E-Mail: info@lselectric-ru.com
- **LS ELECTRIC America Western Office (Irvine, USA)**
Tel: 1-949-333-3140 E-Mail: america@ls-electric.com
- **LS ELECTRIC India Office (India)**
Tel: 91-80-6142-9108 E-Mail: Info_india@ls-electric.com
- **LS ELECTRIC Singapore Office (Singapore)**
Tel: 65-6958-8162 E-Mail: singapore@ls-electric.com
- **LS ELECTRIC Italy Office (Italy)**
Tel: 39-030-8081-833 E-Mail: italia@ls-electric.com



Technical Question or After-sales Service

Customer Center-Quick Responsive Service, Excellent technical support | **82-1644-5481**

X-ON Electronics

Largest Supplier of Electrical and Electronic Components

Click to view similar products for [Circuit Breakers](#) category:

Click to view products by [LS Electric](#) manufacturer:

Other Similar products are found below :

[LUGZX66-1-61-20.0-44](#) [M39019/01-201](#) [M39019/01-221](#) [M39019/04-249S](#) [M39019/04-313S](#) [M55629/1-016](#) [M55629/1-018](#) [M55629/1-021](#)
[M55629/1-033](#) [M55629/1-046](#) [M55629/1-048](#) [M55629/1-058](#) [M55629/1-067](#) [M55629/1-070](#) [M55629/1-079](#) [M55629/1-084](#) [M55629/1-085](#)
[M55629/1-109](#) [M55629/11-102](#) [M55629/12-045](#) [M55629/12-046](#) [M55629/1-330](#) [M55629/1-366](#) [M55629/1-387](#) [M55629/1-401](#) [M55629/2-](#)
[022](#) [M55629/2-030](#) [M55629/2-072](#) [M55629/2-082](#) [M55629/2-099](#) [M55629/2-101](#) [M55629/2-102](#) [M55629/21-BM-BM](#) [M55629/21-HM-HM](#)
[M55629/21-NS-NS](#) [M55629/22-NR-NR-NR](#) [M55629/22-RS-RS-RS](#) [M55629/2-347](#) [M55629/2-401](#) [M55629/2-413](#) [M55629/3-030](#)
[M55629/3-050](#) [M55629/3-102](#) [M55629/3-103](#) [M55629/3-128](#) [M55629/3-130](#) [M55629/3-238](#) [M55629/3-386](#) [M55629/3-LBZB](#) [M55629/4-](#)
[115](#)