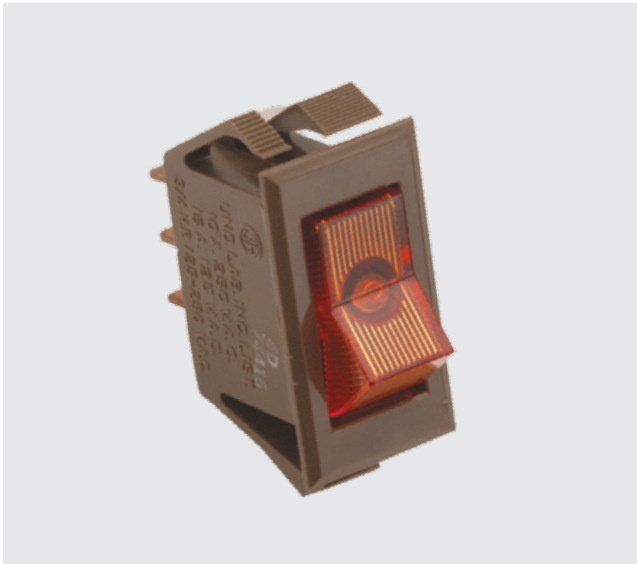


LTA-Series

SINGLE POLE LIGHTED ROCKER SWITCHES

The illuminated predecessor to the Curvette series whose versatility has allowed it to stand the test of time. Traditional styling coupled with self cleaning contacts, integrated wire leads, and various actuator choices has made the LTA-Series appeal to a wide range of markets.



Product Highlights:

- ♦ Neon or Incandescent Illumination
- ♦ Long Paddle, Short Paddle or Rocker Actuators
- ♦ Good for 125/250VAC or Low Voltage DC Applications
- ♦ Integrated Wire Lead Construction

Typical Applications:

- ♦ Appliance
- ♦ HVAC
- ♦ Food Service
- ♦ Transportation



Dielectric Strength

UL/CSA:
 1000V - live to dead metal parts
 750V - across open contacts

Mechanical Life

100,000 cycles

Operating Temperature

32°F to 185°F (0°C to 85°C)

Electrical Life

100,000 cycles

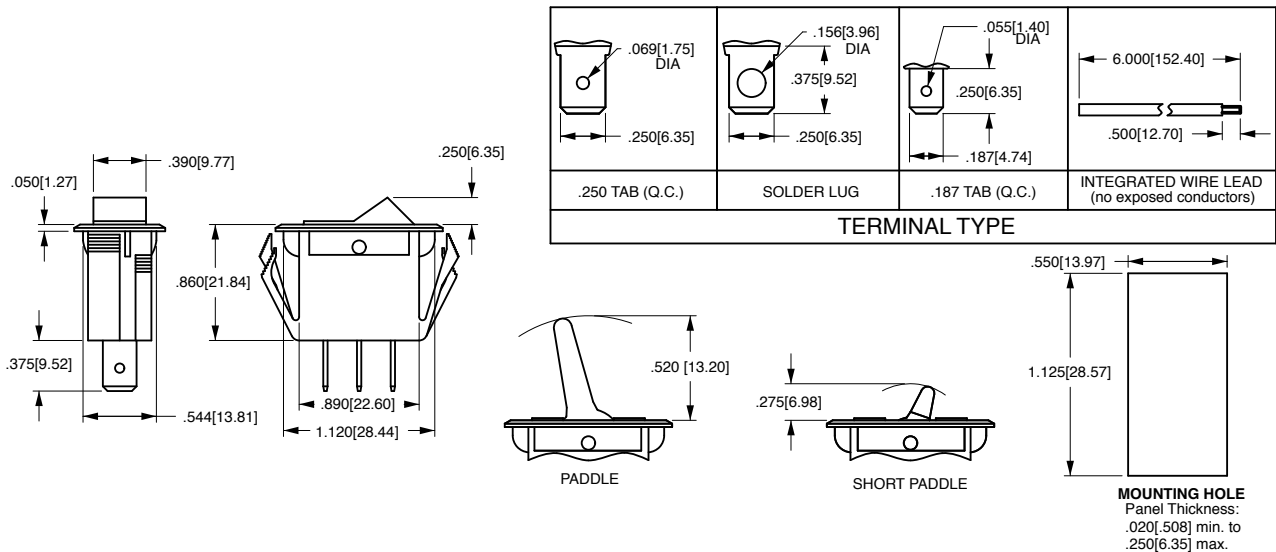
LTA201 - P R - B -A / 125N

1 Base Part Number 2 Actuator Style 3 Actuator Color 4 Bezel Color/Style 5 Lens Color 6 Lamp Voltage

| | | | |
|---|------------------------------|-----------------------------|--|
| 1 BASE PART NUMBER: SERIES / CIRCUITRY / RATING ¹ / TERMINATION | | | |
| 10A 250VAC; 15A 125VAC; 3/4 HP 125-250VAC | | | |
| OFF-NONE-ON | Solder Lugs LTA200 | .250 Tabs LTA201 | .187 Tabs Wire Leads LTA203 LTA205 |
| 2 ACTUATOR STYLE ³ | | | |
| T Rocker | | PS Short Paddle | |
| P Paddle | | | |
| 3 ACTUATOR COLOR ¹ | | | |
| A Amber | | B Black ⁴ | |
| C Clear | | W White ⁴ | |
| R Red | | | |
| G Green ² | | | |

| | | | |
|------------------------------------|--|------------------------------|--|
| 4 BEZEL COLOR ¹ | | | |
| B Black | | W White | |
| 5 LENS COLOR ^{2,3} | | | |
| Blank No Lens | | -G Green | |
| -A Amber | | -R Red | |
| -C Clear | | -LU Blue | |
| 6 LAMP VOLTAGE ² | | | |
| 006V 6V incandescent | | 024V 24V incandescent | |
| 012V 12V incandescent | | 125N 125V neon | |
| 018V 18V incandescent | | 250N 250V neon | |

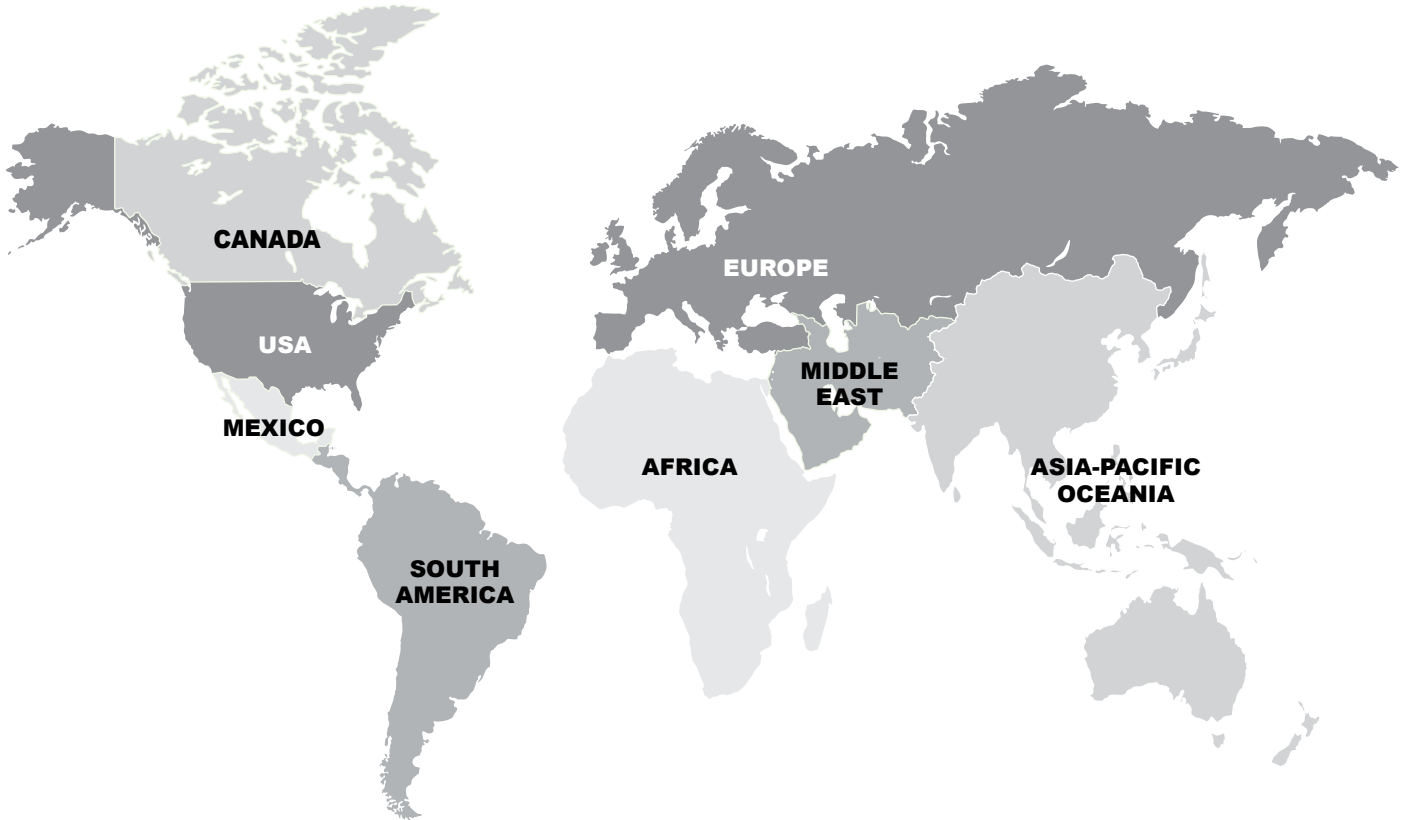
- Notes:
 1 Additional ratings and colors are available. Consult factory for details.
 2 Neon lamps not recommended with green or blue rocker/lenses.
 3 Lens color is specified only if actuator style is P or PS. If style is T (rocker), then leave position 5 blank.
 4 Available with paddle ("P & PS") style actuators only.



*Manufacturer reserves the right to change product specification without prior notice.

Authorized Sales Representatives and Distributors

Click on a region of the map below to find your local representatives and distributors or visit www.carlingtech.com/findarep.



About Carling

Founded in 1920, Carling Technologies is a leading manufacturer of electrical and electronic switches and assemblies, circuit breakers, electronic controls, power distribution units, and multiplexed power distribution systems. With four ISO registered manufacturing facilities and technical sales offices worldwide, Carling Technologies Sales, Service and Engineering teams do much more than manufacture electrical components, they engineer powerful solutions! To learn more about Carling please visit www.carlingtech.com/company-profile.

To view all of Carling's environmental, quality, health & safety certifications please visit www.carlingtech.com/environmental-certifications

Worldwide Headquarters

Carling Technologies, Inc.
60 Johnson Avenue, Plainville, CT 06062
Phone: 860.793.9281 **Fax:** 860.793.9231
Email: sales@carlingtech.com

Northern Region Sales Office: nrsm@carlingtech.com
Southeast Region Sales Office: sersm@carlingtech.com
Midwest Region Sales Office: mrrsm@carlingtech.com
West Region Sales Office: wrsm@carlingtech.com
Latin America Sales Office: larsm@carlingtech.com

Asia-Pacific Headquarters

Carling Technologies, Asia-Pacific Ltd.,
Suite 1607, 16/F Tower 2, The Gateway,
Harbour City, 25 Canton Road,
Tsimshatsui, Kowloon, Hong Kong
Phone: Int + 852-2737-2277 **Fax:** Int + 852-2736-9332
Email: sales@carlingtech.com.hk

Shenzhen, China: shenzhen@carlingtech.com
Shanghai, China: shanghai@carlingtech.com
Pune, India: india@carlingtech.com
Kaohsiung, Taiwan: taiwan@carlingtech.com
Yokohama, Japan: japan@carlingtech.com

Europe | Middle East | Africa Headquarters

Carling Technologies LTD
4 Airport Business Park, Exeter Airport,
Clyst Honiton, Exeter, Devon, EX5 2UL, UK
Phone: Int + 44 1392.364422 **Fax:** Int + 44 1392.364477
Email: ltd.sales@carlingtech.com

Germany: gmbh@carlingtech.com
France: sas@carlingtech.com



Carling Technologies®

Innovative Designs. Powerful Solutions.

X-ON Electronics

Largest Supplier of Electrical and Electronic Components

Click to view similar products for [Rocker Switches](#) category:

Click to view products by [Carling](#) manufacturer:

Other Similar products are found below :

[VKD2GHNB-00000-000](#) [VSD2GNNB-00000-000](#) [6-1571986-5](#) [6-1571986-9](#) [7036WWCDBX653+U622](#) [8055K52Z7V](#) [8138K20E6M50](#)
[FMC18A2200002](#) [84206L](#) [84312LX](#) [PREDD4-07F-BB0FW](#) [PREDD5-07F-BB0GW](#) [PRFDD1-16F-BB000](#) [PRFDD3-16F-BB000](#) [1-](#)
[1634201-0](#) [999-16702-001](#) [A101J2ZQ004](#) [A101J4ZQ004](#) [A101J51CB0004](#) [A107J51ZQ0004](#) [A201J1AQ004](#) [A201J1AV2Q004](#)
[A201J3ZB004](#) [A201J50ZQ004](#) [A203J51ZQ0004](#) [A226L11YZQ](#) [A22L11A](#) [A435S1YZQ](#) [H8500XBBBBL-A](#) [H8653VBBG2577W](#)
[HB130CHNWWNAAC](#) [1251.0303](#) [AE205J60V3B004](#) [RH110C2NBB](#) [1352.0107](#) [1363.0201](#) [AML25GBF2AA03GR](#) [1571099-3](#) [1571987-4](#)
[1571987-5](#) [1571989-7](#) [B123J77V7B2](#) [B226J50W4Q22P](#) [B433J37ZQ22M](#) [160212E](#) [1801.1164](#) [1831.1102](#) [1833.3402](#) [1837.1118](#) [1838.8302](#)