

APPROVAL SHEET

Customer : \_\_\_\_\_

Part Number: TUNING FORK CRYSTAL \_\_\_\_\_

LK Part No.: L262DK32M21L \_\_\_\_\_

Holder : DT-26 \_\_\_\_\_

Frequency: 32.768KHz 12.5PF  $\pm$ 20PPM \_\_\_\_\_

Manufacturer: Lucki Electronics \_\_\_\_\_

Date: 2023-04-27 \_\_\_\_\_

Prepared	Checked	Approved
Zhao Qian	Zhang Dongwei	Zhang Bin

(For Customer Use)

Acceptable	

Revision History

No.	Revised Date	Change Content	Approved	Remark

Lucki Electronics CO.,LTD

**1. ELECTRICAL CHARACTERISTICS (measured at +25deg.C +/-2deg.C)**

1-1	NOMINAL FREQUENCY	32.768 kHz
1-2	FREQUENCY TOLERANCE	+/- 20 ppm Max.
1-3	LOADING CAPACITANCE	12.5 pF
1-4	EQUIVALENT RESISTANCE	40 kohm Max. / Series
1-5	MEASUREMENT DRIVE LEVEL	1.0 +/- 0.2uW
1-6	TURNOVER TEMPERATURE	25deg.C +/- 5deg.C
1-7	PARABOLIC CURVATURE CONSTANT	- 0.04 ppm/deg.C <sup>2</sup> Max
1-8	INSULATION RESISTANCE	Lead to Lead 500 Mohm Min. at D.C. 100V Lead to Case
1-9	OPERATING TEMP. RANGE	- 40 deg.C to + 85 deg.C
1-10	STORAGE TEMP. RANGE	- 40 deg.C to + 85 deg.C
1-11	AGING	+/- 5 ppm Max./ year

**2. CONSTRUCTION**

2-1	HOLDER	DT-26
2-2	DIMENSIONS AND MARKING	Refer to Fig-1

**3. OTHER SPECIFICATIONS**

Environmental and mechanical endurance shall be specified by attached general specifications.

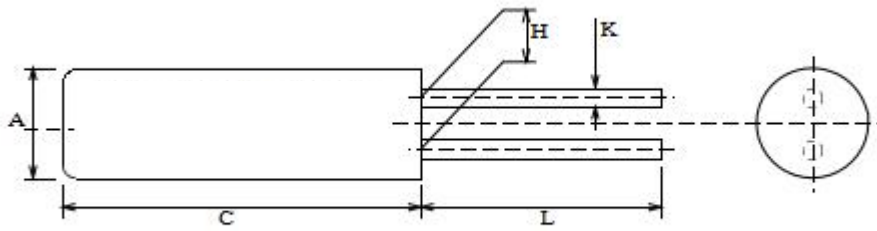


Fig-1

A	C	H	K	L
dia.2.1 Max.	6.0 Max.	0.7+/-0.2	dia.0.28+/-0.05	5.0 Min.

Lucki Electronics CO.,LTD

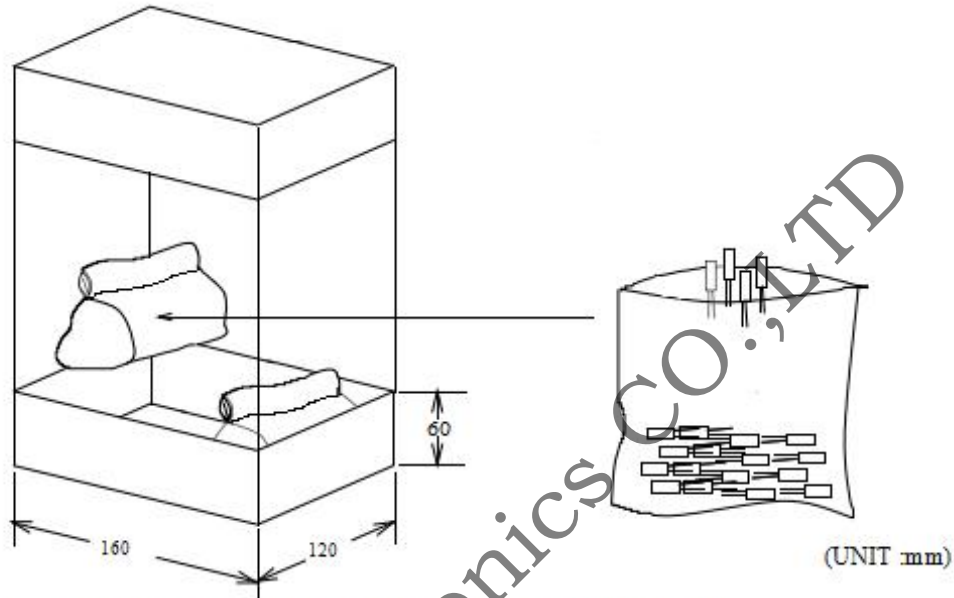
## 1.Mechanical Endurance

Item	Standard	Condition
Vibration Resistance	$f_0$ : +/-3 ppm max.	(1)Vibration 30 to 120Hz (2)Cycle 2 min (3)G Force 3G (4)Time 20 min X,Y,Z Each Direction.
Shock Resistance	$f_0$ : +/-3 ppm max.	Free drops from 75 cm high onto a wooden board (3 cm thickness) Repeat 3 times. Measure 5 min after the test.
Hermetical Sealing	$1 \times 10^{-9}$ Pa-m <sup>3</sup> /s max.	Testing by Helium leak detector.
Terminal Strength	No visual damage	Bending terminals at +90deg., at -90deg., at +90deg., and finally unbending at 0deg. 1 mm from the bottom of case. One bend is counted as one time, it can be endured up to three times.
Soldering Heat Resistance	$f_0$ : +/-3 ppm max.	Dipping terminals to 1 mm from the bottom of product into the solder pot at +245deg.C +5/-5deg.C for 3s. Measuring 1h after the test at +25deg.C.
Solder ability	90 % min.	Terminals solder ability is at a bath temperature of +245deg.C +5/-5deg.C for 3s. (with flux)

## 2.Environmental Endurance

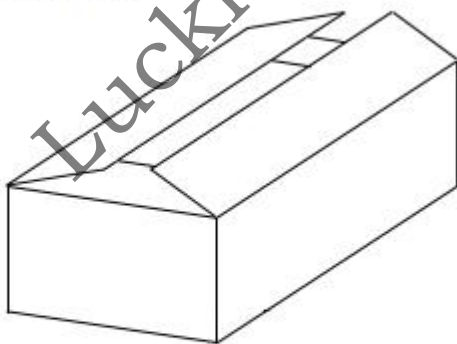
Item	Standard	Condition
High Temp. Storage	$f_0$ : +/-3 ppm max.	+70deg.C*24h Measuring 2h after the test at +25deg.C.
Low Temp. Storage	$f_0$ : +/-3 ppm max.	-30deg.C*24h Measuring 2h after the test at +25deg.C.
Moisture Storage	$f_0$ : +/-3 ppm max.	+40deg.C*24h in 90 % relative humidity. Measuring 2h after the test at +25deg.C.

(INNER BOX)



2000 units per plastic bag. 5 plastic bags in an inner box. A product slip is attached on the inner box. (As for odd unit, shall be packed in a plastic bag.)

(OUTER BOX)



Crystal units shall be packed in inner box by production lot. Outer carton size would be changed depending on lot size. The description label shall be put on outer carton.

## X-ON Electronics

Largest Supplier of Electrical and Electronic Components

*Click to view similar products for [Crystals](#) category:*

*Click to view products by [Lucki](#) manufacturer:*

Other Similar products are found below :

[CX3225GB25000M0PPSZ1](#) [718-13.2-1](#) [7A-40.000MAAE-T](#) [FL2000085](#) [99-BU](#) [9B-15.360MBBK-B](#) [9C-7.680MBBK-T](#) [H10S-12.000-18-EXT-TR](#) [ABC2-6.000MHZ-D4Z-T](#) [ABLS-20.000MHZ-D2-T](#) [ABS071-32.768KHZ-6-T](#) [R38-32.768-12.5-5PPM-NPB](#) [BTD1062E05A-513](#) [21U15A-21.4MHZ](#) [RTX-781DF1-S-20.950](#) [LFXTAL066198Cutt](#) [9C-14.31818MBBK-T](#) [A-11.000MHZ-27](#) [ABL-27.000MHZ-B4Y-T](#) [ABM11-132-24.000MHZ-T3](#) [ABM3B1-25.000MHZ-D2Y-T](#) [SPT2A-.032768B](#) [SPT2A.032768G](#) [LFXTAL065253Cutt](#) [LFXTAL066431Cutt](#) [XT9S20ANA14M7456](#) [XT9SNLANA16M](#) [7A-24.576MBBK-T](#) [7B-30.000MBBK-T](#) [CX2520DB16000H0HPQCC](#) [MMCC2R32.7680KHZ](#) [6504-202-1501](#) [6526-202-1501](#) [ABLS-12.000MHZ-B2Y-T](#) [7A-10.000MBBK-T](#) [SG636PCE-20.000MC](#) [3404](#) [CM315D32768EZFT](#) [C1E-24.000-7-2020-R](#) [C1E-19.200-12-1530-X-R](#) [C1E-16.000-12-1530-X-R](#) [ABM11-16.000MHZ-9-B1U-T](#) [FL5000014](#) [EUCA18-3.1872M](#) [FX0800015](#) [425F35E027M0000](#) [FP0800018](#) [MS3V-T1R-32.768kHz-7pF-20PPM-TA-QC-Au](#) [VXM7-1C1-16M000](#) [MS3V-T1R-32.768kHz-9pF-20PPM-TA-QC-Au](#)