



LUCKI CM ELECTRONICS Co.,Ltd



APPROVAL SHEET

Customer : _____

Part Number: 3225 Seam Sealing Crystal

LK Part No.: L327S143U11L

Holder : SMD 3225

Frequency: 14.31818MHZ 20PF \pm 10PPM

Manufacturer: Lucki Electronics

Date: 2023-05-22

| Prepared | Checked | Approved |
|-----------|---------------|-----------|
| Zhao Qian | Zhang Dongwei | Zhang Bin |

(For Customer Use)

| Acceptable | |
|------------|--|
| | |



LUCKI CM ELECTRONICS Co.,Ltd



Revision History

| No. | Revised Date | Change Content | Approved | Remark |
|-----|--------------|----------------|----------|--------|
| | | | | |



LUCKI CM ELECTRONICS Co.,Ltd



1. Electrical characteristics

| Items | Symbol | Specification | | | Unit | Notes |
|-------------------------|---------------|--------------------|--------|-----|--------|-------------|
| | | Min | Typ | Max | | |
| Model No | | Seam Seal 3225 | | | | |
| Blank Cutting Mode | | AT FUND. | | | | |
| Nominal Frequency | F0 | 14.318180 | | | MHz | |
| Oscillation Mode | | ■ Fundamental □3rd | | | | |
| Frequency Tolerance | $\Delta F/F0$ | -10 | | 10 | ppm | 25°C ± 3°C |
| Load Capacitance | CL | | 20 | | pF | |
| Frequency Stability | TC | -20 | | 20 | ppm | |
| Operating Temperature | Topr | -40 | | 85 | °C | |
| Storage Temperature | Tstg | -55 | ~ | 125 | °C | |
| Drive Level | DL | | 100 | 300 | uW | |
| Effective Resistance RR | Rr | - | - | 50 | Ω | |
| Shunt Capacitance C0 | C0 | - | - | 2 | pF | |
| Trim Sensitivity TS | TS | - | - | - | ppm/PF | |
| Insulation Resistance | IR | 500 | - | - | MΩ | at DC 100 V |
| Aging: | Fa | -2 | | 2 | ppm | Per year |
| Weight | | | 0.0163 | | g | |

Remark: Sample Data See Attachment

Measure equipment :

Electrical characteristics measured by S&A 250B or equivalent.

Hermetically :

Fine Leak: Helium Bombing 4kg/cm² for 1 Hour, Leak ate Less Than ⁻⁸atm. cc/sec 1×10

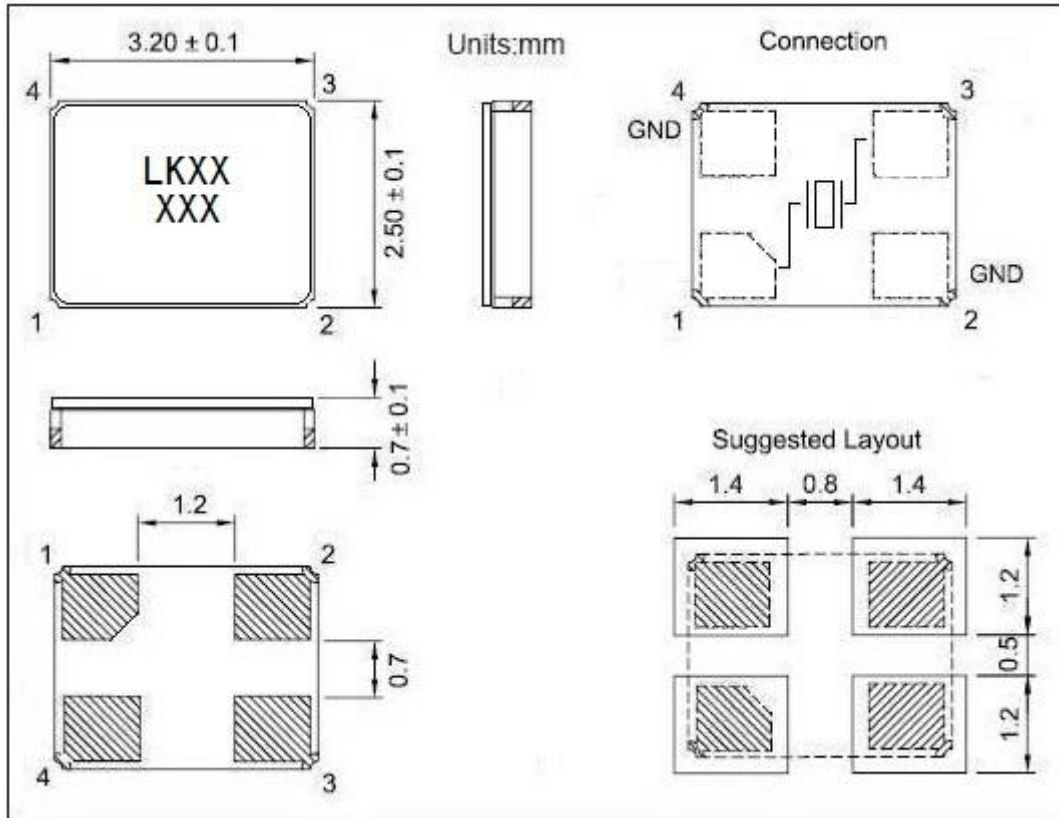
Gross Leak: 125°C FC#40 , 120 Seconds, No Bubble



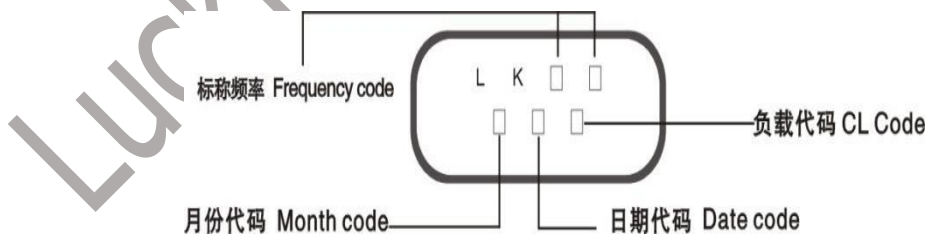
LUCKI CM ELECTRONICS Co.,Ltd

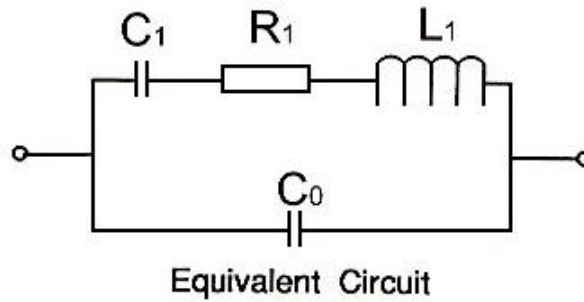
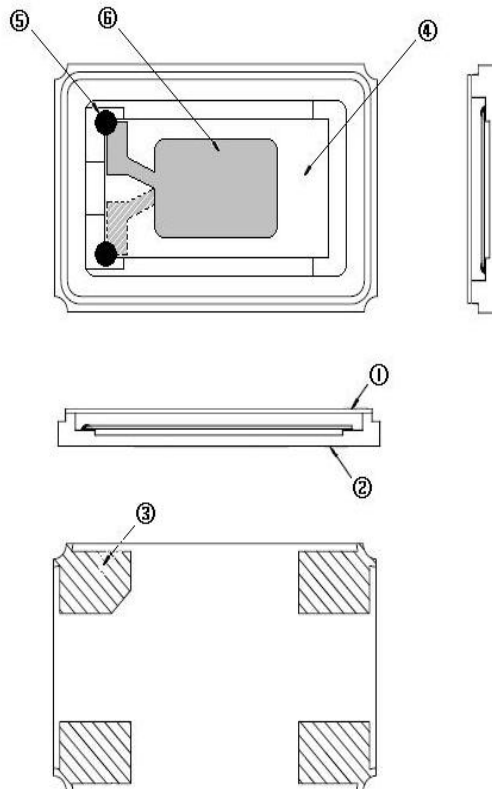


2.Solder Dimension And Pattern



3. Marking specification



4. Equivalent Circuit

5. Structure drawing


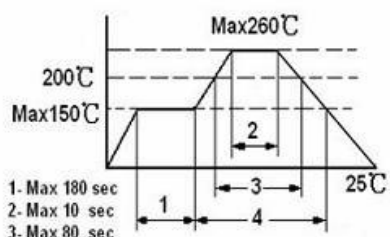
| NO | COMPONENTS | MATERIALS | QTY | FINISH / SPECIFICATIONS |
|----|---------------------|------------------|-----|--|
| 1 | Cap | Metal (Fe) | 1 | - |
| 2 | Base | Ceramic | 1 | Color black |
| 3 | PAD | Au | 4 | Tungsten metalize + Ni plating + Au plating |
| 4 | Crystal Blank | SiO ₂ | 1 | - |
| 5 | Conductive Adhesive | Ag | 4 | Silicone |
| 6 | Electrode | Ag + Cr | 2 | - |



LUCKI CM ELECTRONICS Co.,Ltd



6. Reliability Specification

| Item | Condition | Standard |
|-------------------------------------|---|---|
| 1. Drop characteristics | Free drop from 100cm height on a hard wooden board for 3 times. (Board is thickness more than 30 mm.) | Frequency change: $\leq \pm 5\text{ppm}$ Rr as specification |
| 2. Mechanical shock | Device are shocked to half sine wave (1000g) three mutually perpendicular axes each 3 times | Frequency change: $\leq \pm 5\text{ppm}$ Rr as specification |
| 3. Shake characteristics | Shake frequency 10~55Hz, cyc1~2 minutes, swing 1.5mm, direction x/y/z, all 30 minutes, test after 2 hours. | Frequency change: $\leq \pm 5\text{ppm}$ Rr as specification |
| 4. Humidity characteristics | +40 \pm 2 $^{\circ}\text{C}$ & 90%~95% R.H. 250 hours | Frequency change: $\leq \pm 5\text{ppm}$ Rr as specification |
| 5. Low temperature characteristics | -40 \pm 2 $^{\circ}\text{C}$, 250 hours, put in room temperature, test after 1 hours. | Frequency change: $\leq \pm 5\text{ppm}$ Rr as specification |
| 6. High temperature characteristics | +85 \pm 2 $^{\circ}\text{C}$, 250 hours, put in room temperature, test after 1 hours. | Frequency change: $\leq \pm 5\text{ppm}$ Rr as specification |
| 7. Temperature cycling | -30 \pm 3 $^{\circ}\text{C}/30\pm 3\text{min}$ ~+85 \pm 2 $^{\circ}\text{C}/30\pm 3\text{min}$, 5 cycles | Frequency change: $\leq \pm 5\text{ppm}$ Rr as specification |
| 8. Refluence examination |  <p>1- Max 180 sec 2- Max 10 sec 3- Max 80 sec 4- Max 90 sec</p> | Frequency change: $\leq \pm 5\text{ppm}$ Rr as specification |

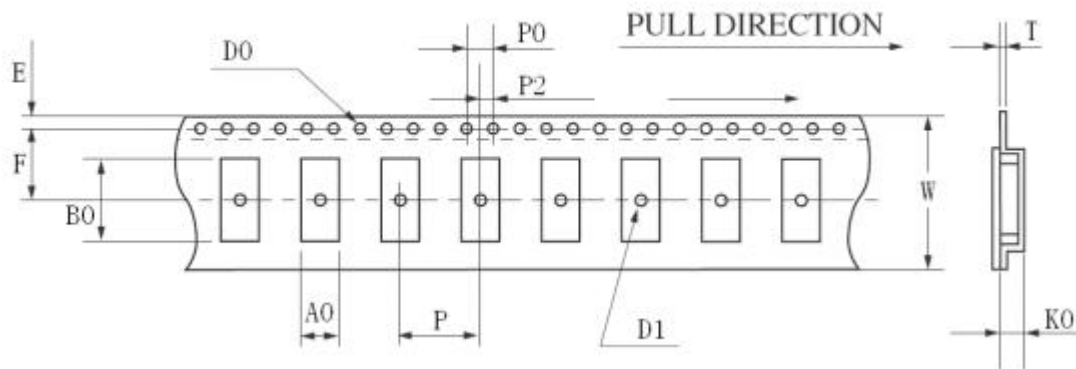


LUCKI CM ELECTRONICS Co.,Ltd

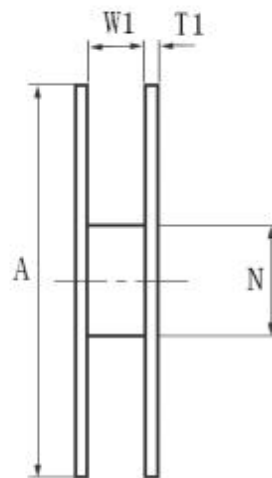
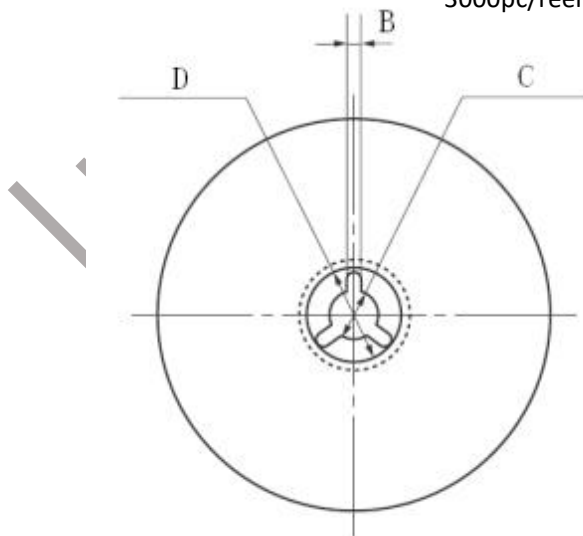


7. Type & Reel

| | HC-49SMD | 7050 | 6035 | 5032 | 3225 | 2520 | 2016 |
|----|------------|------------|------------|------------|------------|------------|------------|
| W | 24.00±0.30 | 16.00±0.05 | 12.00±0.05 | 12.00±0.05 | 8.00±0.05 | 8.00±0.05 | 8.00±0.05 |
| E | 1.75±0.10 | 1.75±0.10 | 1.75±0.10 | 1.75±0.10 | 1.75±0.10 | 1.75±0.10 | 1.75±0.10 |
| F | 11.5±0.10 | 7.5±0.10 | 5.5±0.10 | 5.5±0.10 | 3.5±0.05 | 3.5±0.05 | 3.5±0.05 |
| T | 0.40±0.05 | 0.35±0.05 | 0.35±0.05 | 0.30±0.05 | 0.25±0.03 | 0.25±0.03 | 0.25±0.03 |
| P | 12.00±0.10 | 8.00±0.10 | 8.00±0.10 | 8.00±0.10 | 4.00±0.05 | 4.00±0.05 | 4.00±0.05 |
| P0 | 4.00±0.10 | 4.00±0.10 | 4.00±0.10 | 4.00±0.10 | 4.00±0.05 | 4.00±0.05 | 4.00±0.05 |
| P2 | 2.00±0.10 | 2.00±0.10 | 2.00±0.10 | 2.00±0.10 | 2.00±0.05 | 2.00±0.05 | 2.00±0.05 |
| D0 | φ1.50±0.10 | φ1.50±0.10 | φ1.50±0.10 | φ1.50±0.10 | φ1.50±0.10 | φ1.50±0.10 | φ1.50±0.10 |
| D1 | φ1.50MIN | φ1.50MIN | φ1.50MIN | φ1.50MIN | φ1.00MIN | φ1.00MIN | φ1.00MIN |
| A0 | 4.60±0.10 | 5.40±0.10 | 3.90±0.10 | 3.50±0.10 | 2.70±0.10 | 2.4±0.10 | 2.00±0.10 |
| K0 | 4.40±0.10 | 1.80±0.10 | 1.50±0.10 | 1.60±0.10 | 1.50±0.10 | 1.10±0.10 | 1.10±0.10 |
| B0 | 14.20±0.15 | 7.40±0.10 | 6.40±0.10 | 5.20±0.10 | 3.50±0.05 | 2.90±0.05 | 2.4±0.05 |



3000pc/reel



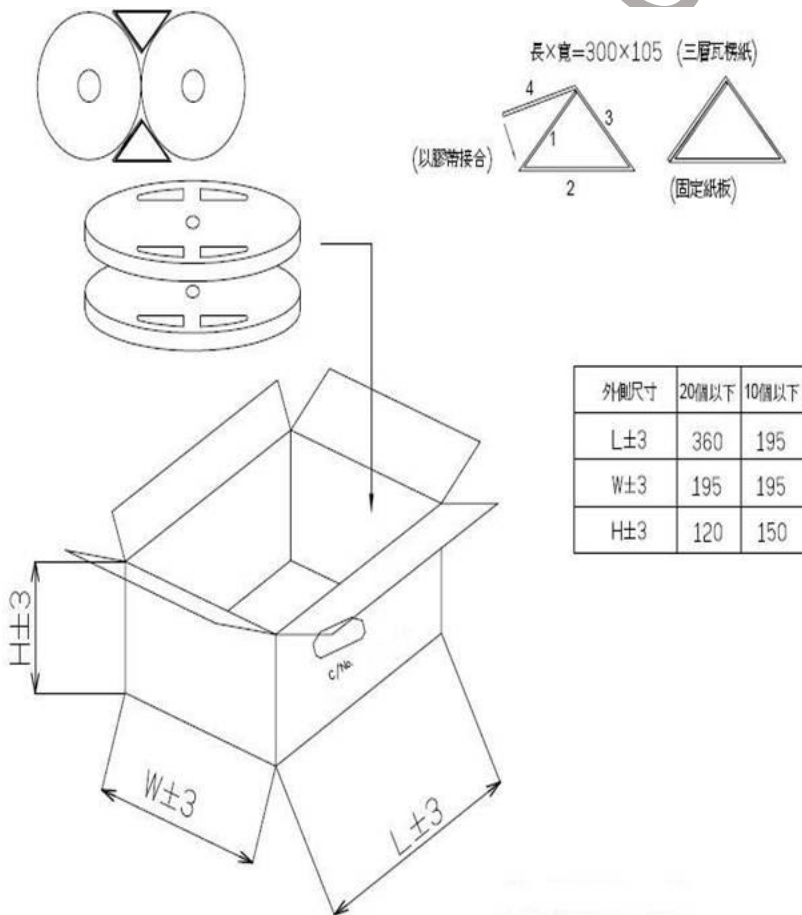


LUCKI CM ELECTRONICS Co.,Ltd



| | | | | | | | |
|--------|----------------------|----------------------|----------------------|----------------------|----------------------|----------------------|----------------------|
| | HC-49SMD | 7050 | 6035 | 5032 | 3225 | 2520 | 2016 |
| A | $\phi 330 \pm 1.0$ | $\phi 178 \pm 2.0$ | $\phi 178 \pm 2.0$ | $\phi 178 \pm 2.0$ | $\phi 178 \pm 2.0$ | $\phi 178 \pm 2.0$ | $\phi 178 \pm 2.0$ |
| B | 2.30 ± 0.20 | 2.00 ± 0.50 | 2.00 ± 0.50 | 2.00 ± 0.50 | 2.50 ± 0.50 | 2.50 ± 0.50 | 2.50 ± 0.50 |
| C | $\phi 13.5 \pm 0.20$ | $\phi 13.2 \pm 0.20$ | $\phi 13.2 \pm 0.20$ | $\phi 13.2 \pm 0.20$ | $\phi 13.5 \pm 0.20$ | $\phi 13.5 \pm 0.20$ | $\phi 13.5 \pm 0.20$ |
| D | $\phi 21.5 \pm 0.20$ | $\phi 20.0 \pm 0.50$ | $\phi 20.0 \pm 0.50$ | $\phi 20.0 \pm 0.50$ | $\phi 56.8 \pm 0.50$ | $\phi 56.8 \pm 0.50$ | $\phi 56.8 \pm 0.50$ |
| N | $\phi 100.0 \pm 0.5$ | $\phi 60.5 \pm 1.0$ | $\phi 60.5 \pm 1.0$ | $\phi 60.5 \pm 1.0$ | $\phi 60.5 \pm 1.0$ | $\phi 60.5 \pm 1.0$ | $\phi 60.5 \pm 1.0$ |
| W I | 24.5 ± 0.20 | 16.5 ± 0.20 | 12.5 ± 0.20 | 12.5 ± 0.20 | 9.4 ± 0.30 | 8.0 ± 0.30 | 8.0 ± 0.30 |
| T1 | 2.30 ± 0.20 | 1.80 ± 0.20 | 1.80 ± 0.20 | 1.80 ± 0.20 | 1.40 ± 0.20 | 1.40 ± 0.20 | 1.40 ± 0.20 |

8. Packing Specification



X-ON Electronics

Largest Supplier of Electrical and Electronic Components

Click to view similar products for [Crystals](#) category:

Click to view products by [Lucki](#) manufacturer:

Other Similar products are found below :

[CX3225GB25000M0PPSZ1](#) [718-13.2-1](#) [7A-40.000MAAE-T](#) [FL2000085](#) [99-BU](#) [9B-15.360MBBK-B](#) [9C-7.680MBBK-T](#) [H10S-12.000-18-EXT-TR](#) [ABC2-6.000MHZ-D4Z-T](#) [ABLS-20.000MHZ-D2-T](#) [ABS071-32.768KHZ-6-T](#) [R38-32.768-12.5-5PPM-NPB](#) [BTD1062E05A-513](#) [21U15A-21.4MHZ](#) [RTX-781DF1-S-20.950](#) [LFXTAL066198Cutt](#) [9C-14.31818MBBK-T](#) [A-11.000MHZ-27](#) [ABL-27.000MHZ-B4Y-T](#) [ABM11-132-24.000MHZ-T3](#) [ABM3B1-25.000MHZ-D2Y-T](#) [SPT2A-.032768B](#) [SPT2A.032768G](#) [LFXTAL065253Cutt](#) [LFXTAL066431Cutt](#) [XT9S20ANA14M7456](#) [XT9SNLANA16M](#) [7A-24.576MBBK-T](#) [7B-30.000MBBK-T](#) [CX2520DB16000H0HPQCC](#) [MMCC2R32.7680KHZ](#) [6504-202-1501](#) [6526-202-1501](#) [ABLS-12.000MHZ-B2Y-T](#) [7A-10.000MBBK-T](#) [SG636PCE-20.000MC](#) [3404](#) [CM315D32768EZFT](#) [C1E-24.000-7-2020-R](#) [C1E-19.200-12-1530-X-R](#) [C1E-16.000-12-1530-X-R](#) [ABM11-16.000MHZ-9-B1U-T](#) [FL5000014](#) [EUCA18-3.1872M](#) [FX0800015](#) [425F35E027M0000](#) [FP0800018](#) [MS3V-T1R-32.768kHz-7pF-20PPM-TA-QC-Au](#) [VXM7-1C1-16M000](#) [MS3V-T1R-32.768kHz-9pF-20PPM-TA-QC-Au](#)