



**LUCKI CM ELECTRONICS Co.,Ltd**



APPROVAL SHEET

Customer : \_\_\_\_\_

Part Number: \_\_\_\_\_

LK Part No.: LPC0S24000L83L

Holder : 47SMD

Frequency: 24.000MHZ 12PF ± 20PPM

Manufacturer: Lucki Electronics

Date: 2023-05-31

| Prepared  | Checked       | Approved  |
|-----------|---------------|-----------|
| Zhao Qian | Zhang Dongwei | Zhang Bin |

(For Customer Use)

| Acceptable |  |
|------------|--|
|            |  |



**LUCKI CM ELECTRONICS Co.,Ltd**



Revision History

| No.                       | Revised Date | Change Content | Approved | Remark |
|---------------------------|--------------|----------------|----------|--------|
| Lucki Electronics CO.,LTD |              |                |          |        |



**LUCKI CM ELECTRONICS Co.,Ltd**



**一、电性能参数 ELECTRICAL PARAMETERS:**

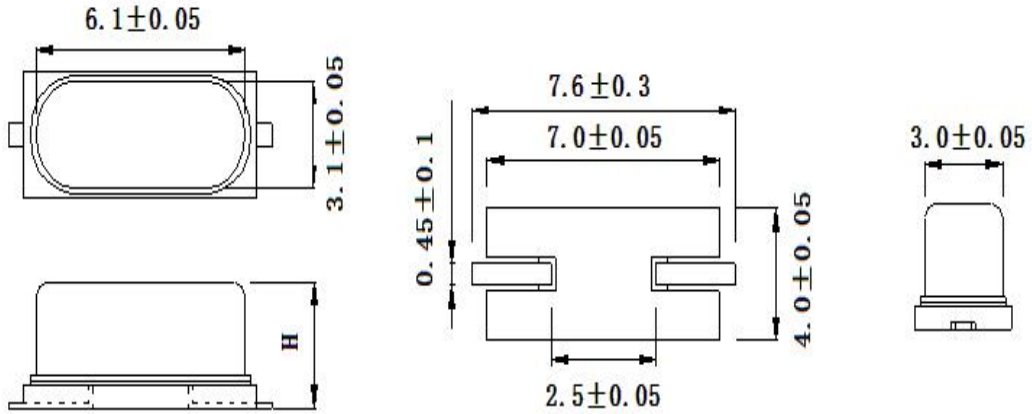
| No. | 特性 Characteristic                     | 范围 Limits    | 备注 Remark                     |
|-----|---------------------------------------|--------------|-------------------------------|
| 1   | 产品型号<br>Ackage Type                   | ZC-47SMD     |                               |
| 2   | 标称频率<br>Nominal Frequency             | 24.000000MHz |                               |
| 3   | 振动模式<br>Mode of Vibration             | AT—Fund（基频）  |                               |
| 4   | 常温频差<br>Frequency Tolerance           | ±20ppm       | 25±3℃ 测试<br>Measure at 25℃±3℃ |
| 5   | 工作温度范围<br>Operating Temperature Range | -20℃~+70℃    |                               |
| 6   | 频率稳定度<br>Frequency Stability          | ±30ppm       |                               |
| 7   | 储存温度范围<br>Storage Temperature Range   | -40℃~+85℃    |                               |
| 8   | 负载电容<br>Load capacitance              | 12pF         |                               |
| 9   | 谐振电阻<br>Equivalent Series Resistance  | 30Ω max      |                               |
| 10  | 激励功率<br>Drive Level                   | 100 μ W max  |                               |
| 11  | 绝缘电阻<br>Insulation Resistance         | 500MΩ        | At 250V <sub>DC</sub>         |
| 12  | 静电容<br>Shunt Capacitance              | 5pF max      |                               |
| 13  | 老化率<br>Aging Per Year                 | ±5ppm        |                               |
| 14  |                                       |              |                               |



**LUCKI CM ELECTRONICS Co.,Ltd**



三、外形尺寸 Outline Dimensions (unit: mm)



| NO. | 规格         | H      |
|-----|------------|--------|
| 1.  | F<16Mhz(含) | 2.3Max |
| 2   | F>16Mhz    | 2.1Max |

四、印字 Marking



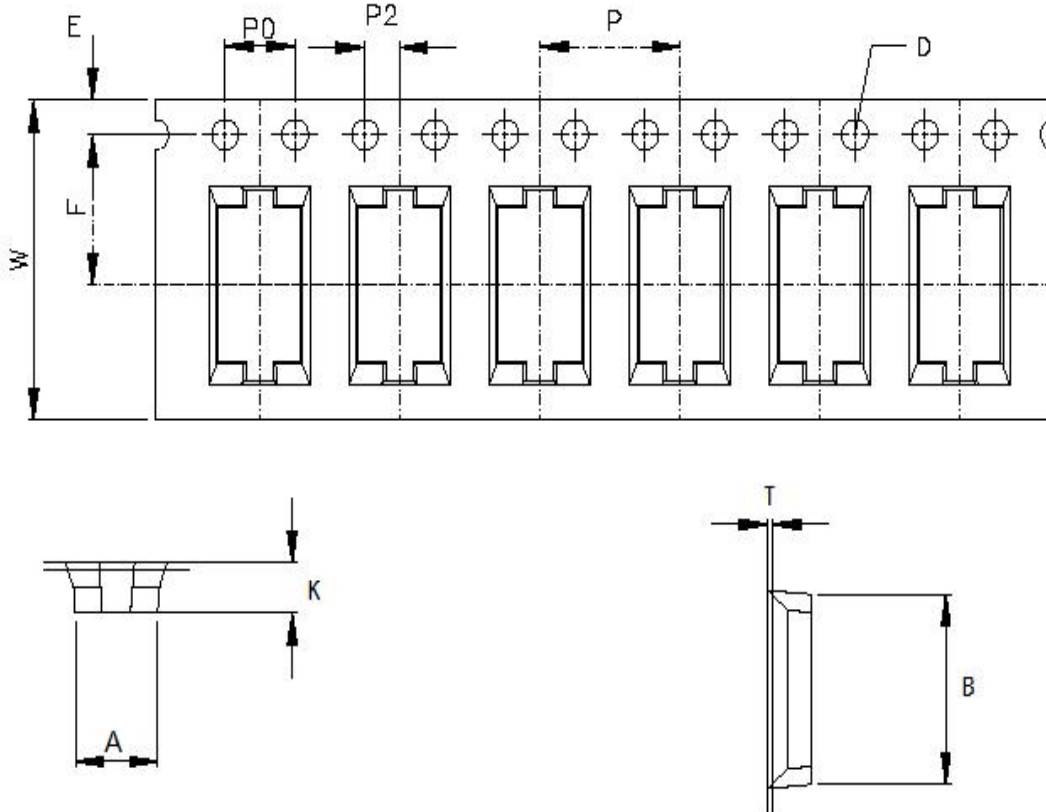


**LUCKI CM ELECTRONICS Co.,Ltd**



**五、包装方式 Packing**

T/R: 3000pcs/ REEL



单位 units : mm:

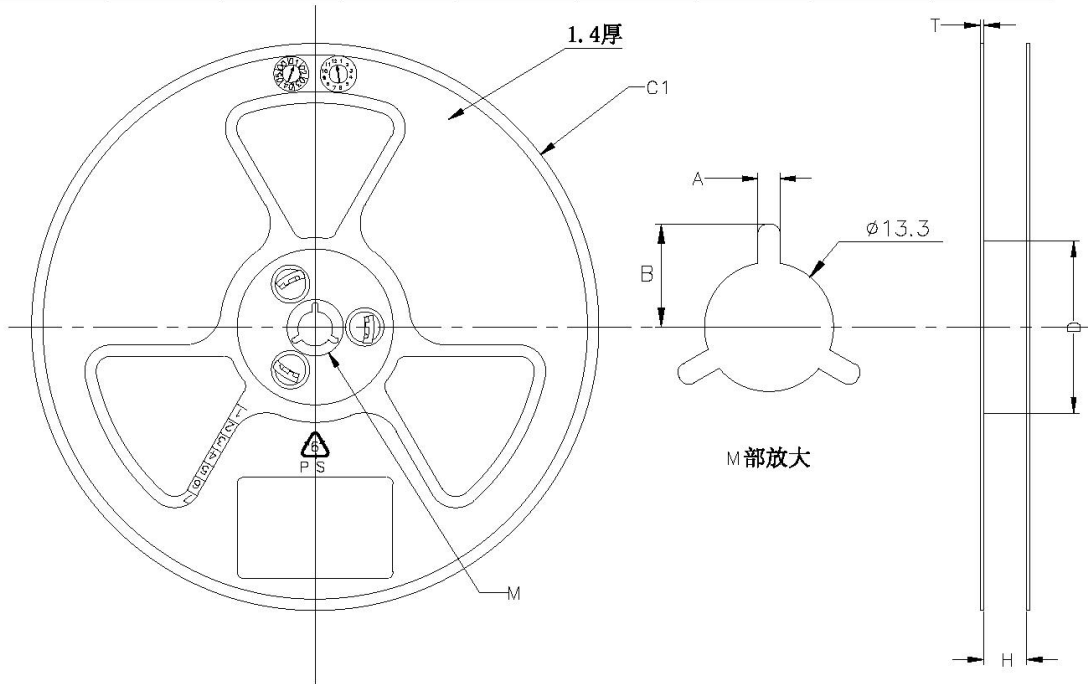
| Model   | A       | B       | D    | E        | F       | P       | P0      | T        | W      |
|---------|---------|---------|------|----------|---------|---------|---------|----------|--------|
| ZC-47SM | 4.7±0.1 | 9.5±0.1 | Φ1.5 | 1.75±0.1 | 7.5±0.1 | 8.0±0.1 | 4.0±0.1 | 0.3±0.05 | 16±0.3 |



**LUCKI CM ELECTRONICS Co.,Ltd**



|       |      |      |      |      |      |      |      |      |
|-------|------|------|------|------|------|------|------|------|
| SPEC1 | 12   | 16   | 24   | 32   | 44   | 56   | 72   | 88   |
| C1±1  | 330  | 330  | 330  | 330  | 330  | 330  | 330  | 330  |
| A±0.2 | 2.3  | 2.3  | 2.3  | 2.3  | 2.3  | 2.3  | 2.3  | 2.3  |
| B±0.2 | 10.0 | 10.0 | 10.0 | 10.0 | 10.0 | 10.0 | 10.0 | 10.0 |
| H+2.0 | 12.5 | 16.5 | 24.5 | 32.5 | 44.5 | 56.5 | 72.5 | 88.5 |
| T±0.2 | 2.1  | 2.1  | 2.1  | 2.1  | 2.1  | 2.1  | 2.1  | 2.1  |
| D±0.5 | ∅100 | ∅100 | ∅100 | ∅100 | ∅100 | ∅100 | ∅100 | ∅100 |



LUCKI

## X-ON Electronics

Largest Supplier of Electrical and Electronic Components

*Click to view similar products for [Crystals](#) category:*

*Click to view products by [Lucki](#) manufacturer:*

Other Similar products are found below :

[CX3225GB25000M0PPSZ1](#) [718-13.2-1](#) [7A-40.000MAAE-T](#) [FL2000085](#) [99-BU](#) [9B-15.360MBBK-B](#) [9C-7.680MBBK-T](#) [H10S-12.000-18-EXT-TR](#) [ABC2-6.000MHZ-D4Z-T](#) [ABLS-20.000MHZ-D2-T](#) [ABS071-32.768KHZ-6-T](#) [R38-32.768-12.5-5PPM-NPB](#) [BTD1062E05A-513](#) [21U15A-21.4MHZ](#) [RTX-781DF1-S-20.950](#) [LFXTAL066198Cutt](#) [9C-14.31818MBBK-T](#) [A-11.000MHZ-27](#) [ABL-27.000MHZ-B4Y-T](#) [ABM11-132-24.000MHZ-T3](#) [ABM3B1-25.000MHZ-D2Y-T](#) [SPT2A-.032768B](#) [SPT2A.032768G](#) [LFXTAL065253Cutt](#) [LFXTAL066431Cutt](#) [XT9S20ANA14M7456](#) [XT9SNLANA16M](#) [7A-24.576MBBK-T](#) [7B-30.000MBBK-T](#) [CX2520DB16000H0HPQCC](#) [MMCC2R32.7680KHZ](#) [6504-202-1501](#) [6526-202-1501](#) [ABLS-12.000MHZ-B2Y-T](#) [7A-10.000MBBK-T](#) [SG636PCE-20.000MC](#) [3404](#) [CM315D32768EZFT](#) [C1E-24.000-7-2020-R](#) [C1E-19.200-12-1530-X-R](#) [C1E-16.000-12-1530-X-R](#) [ABM11-16.000MHZ-9-B1U-T](#) [FL5000014](#) [EUCA18-3.1872M](#) [FX0800015](#) [425F35E027M0000](#) [FP0800018](#) [MS3V-T1R-32.768kHz-7pF-20PPM-TA-QC-Au](#) [VXM7-1C1-16M000](#) [MS3V-T1R-32.768kHz-9pF-20PPM-TA-QC-Au](#)