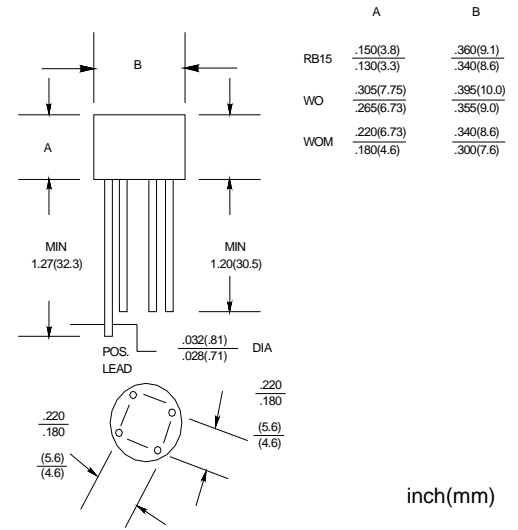




## FEATURES

- Rating to 1000V PRVP
- Surge overload rating to 40 Amperes peak
- Glass passivated chip junctions
- Reliable low cost construction utilizing molded plastic technique results in inexpensive product
- Lead solderable per MIL-STD-202 method 208
- Lead: silver plated copper, solderde plated
- Plastic material has UL flammability classification 94V-0

## WOM



## Maximum Ratings (@T<sub>A</sub> = 25°C unless otherwise specified)

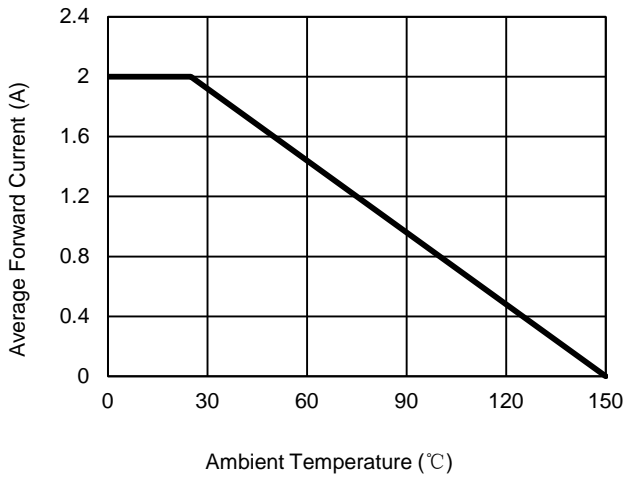
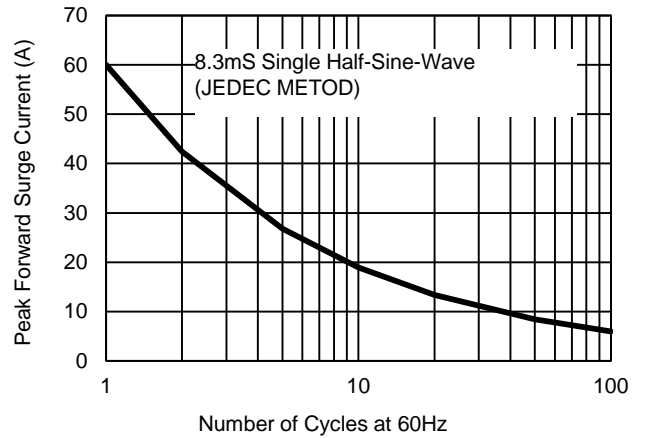
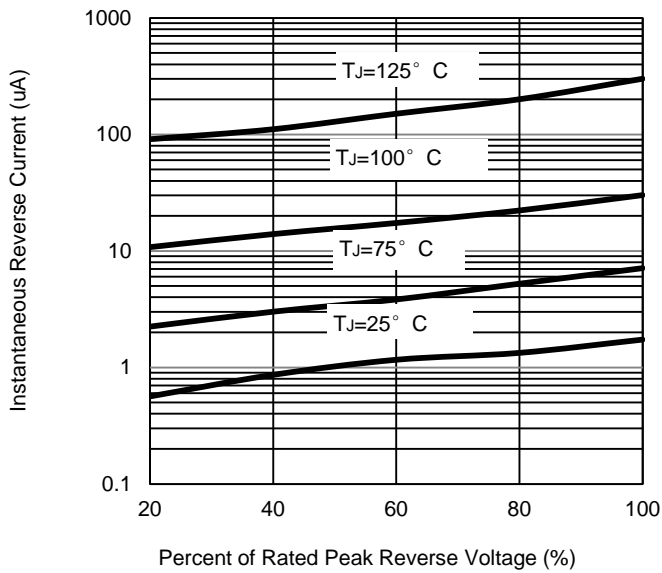
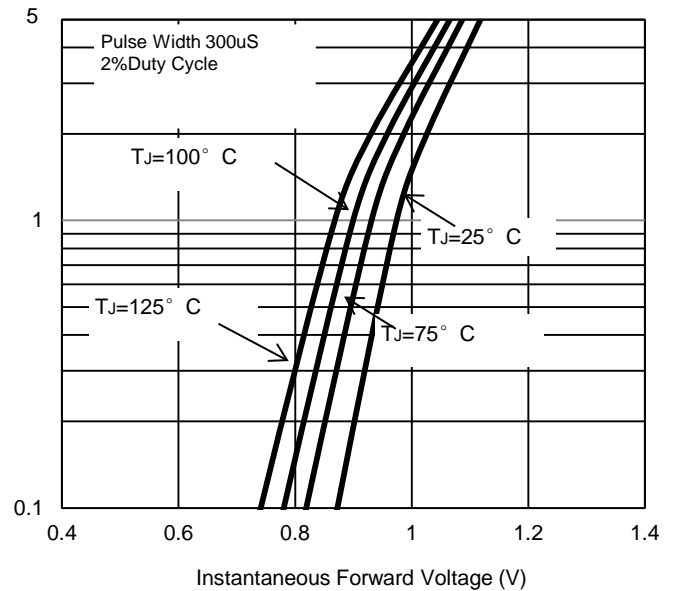
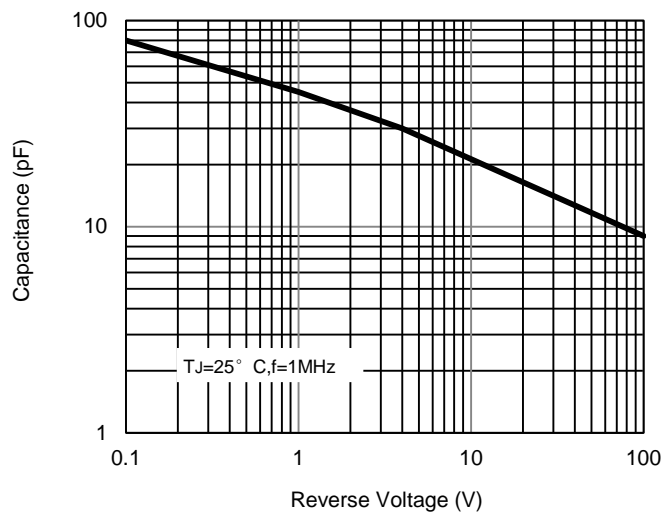
Characteristic	Symbol	2W005A	2W010A	2W020A	2W040A	2W060A	2W080A	2W100A	UNITS
Maximum Recurrent Peak Reverse Voltage	V <sub>RRM</sub>	50	100	200	400	600	800	1000	V
Maximum RMS Reverse Voltage	V <sub>RMS</sub>	35	70	140	280	420	560	700	V
Maximum DC Blocking Voltage	V <sub>DC</sub>	50	100	200	400	600	800	1000	V
Maximum average forward Output current @T <sub>A</sub> =40°C	I <sub>F(AV)</sub>	2.0							A
Peak forward surge current 8.3ms single half-sine-wave superimposed on rated load	I <sub>FSM</sub>	60							A
Current squared time t < 8.3ms , Ta = 25°C	I <sup>2</sup> t	15							A <sup>2</sup> s

## Thermal Characteristics

Characteristic	Symbol	2W005M	2W010M	2W020M	2W040M	2W060M	2W080M	2W100M	UNITS
Typical thermal resistance junction to lead	R <sub>θJA</sub>	40							C/W
On aluminum substrate	R <sub>θJL</sub>	15							
Operating junction temperature range	T <sub>J</sub>	-55 -150							°C
Storage temperature range	T <sub>STG</sub>	-55 -150							°C

## Electrical Characteristics (@T<sub>A</sub> = 25°C unless otherwise specified)

Characteristic	Symbol	2W005M	2W010M	2W020M	2W040M	2W060M	2W080M	2W100M	UNITS
Maximum instantaneous forward voltage at 2.0A	V <sub>F</sub>	1.1							V
Maximum reverse current @T <sub>A</sub> =25°C at rated DC blocking voltage @T <sub>A</sub> =100°C	I <sub>R</sub>	10							μA
		1.0							mA

**Fig. 1 - Forward Current Derating Curve**

**Fig. 2 - Maximum Non-Repetitive Surge Current**

**Fig. 3 - Typical Reverse Characteristics**

**Fig. 4 - Typical Forward Characteristics**

**Fig. 5 - Typical Junction Capacitance**


Device	Shipping
2W005M-2W10M	50unit/pipe

## X-ON Electronics

Largest Supplier of Electrical and Electronic Components

*Click to view similar products for [Bridge Rectifiers](#) category:*

*Click to view products by [Luguang](#) manufacturer:*

Other Similar products are found below :

[MB2510](#) [MB252](#) [MB356G](#) [MB358G](#) [GBJ1504-BP](#) [GBU15J-BP](#) [GBU15K-BP](#) [GBU4A-BP](#) [GBU4D-BP](#) [GBU6B-E3/45](#) [GSIB680-E3/45](#)  
[DB101-BP](#) [DF01](#) [DF10SA-E345](#) [BU1508-E3/45](#) [KBPC50-10S](#) [RS405GL-BP](#) [G5SBA60-E3/51](#) [GBJ1502-BP](#) [GBU10J-BP](#) [GBU4J-BP](#)  
[GBU6M](#) [GBU8D-BP](#) [GBU8J-BP](#) [GSIB1520-E3/45](#) [2KBB10](#) [36MB140A](#) [TB102M](#) [MB1510](#) [MB258](#) [MB6M-G](#) [MB86](#) [TL401G](#)  
[MDA920A2](#) [TU602](#) [TU810](#) [BR1005-BP](#) [BR101-BP](#) [BR84DTP204](#) [BU2008-E3/51](#) [36MB100A](#) [36MT160](#) [KBPC25-02](#) [VS-2KBB60](#)  
[DBB08G-TM-E](#) [DBD250G](#) [DBF20G](#) [DF06SA-E345](#) [DF1510S](#) [VS-40MT160PAPBF](#)