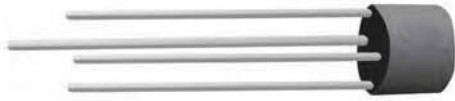


# W005M-W10M

Silicon Bridge Rectifiers

**VOLTAGE RANGE: 50 --- 1000 V**

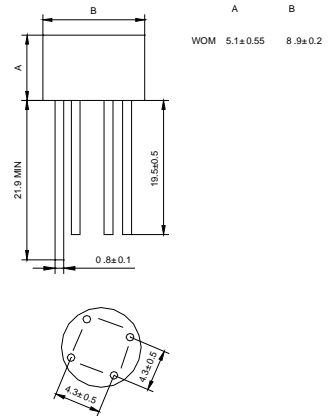
**CURRENT: 1.5 A**



**WOM**

## Features

- ◇ Rating to 1000V PRV
- ◇ Surge overload rating to 30 Amperes peak
- ◇ Ideal for printed circuit board
- ◇ Reliable low cost construction utilizing molded plastic technique results in inexpensive product
- ◇ Lead solderable per MIL-STD-250 method 2026
- ◇ Plastic material has UL flammability recognition 94V-O
- ◇ Weight: 0.050 ounces, 1.42 grams
- ◇ Glass passivated chip junctions



Dimensions in millimeters

## MAXIMUM RATINGS AND ELECTRICAL CHARACTERISTICS

Ratings at 25°C ambient temperature unless otherwise specified.

Single phase, half wave, 60 Hz, resistive or inductive load. For capacitive load, derate by 20%.

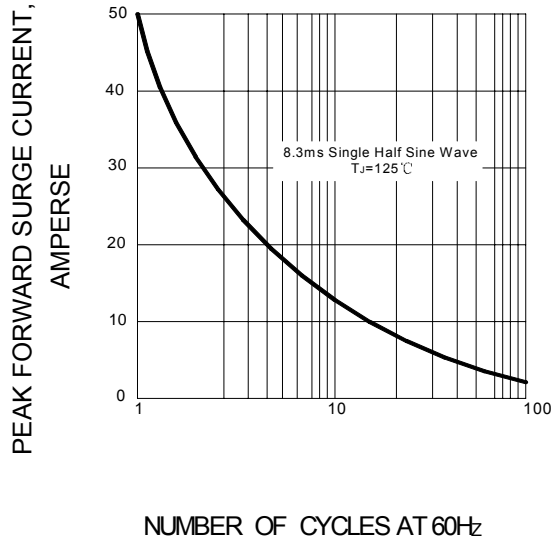
|  |             | W005M          | W01M | W02M | W04M | W06M | W08M | W10M | UNITS         |
|--|-------------|----------------|------|------|------|------|------|------|---------------|
| Maximum recurrent peak reverse voltage   | $V_{RRM}$   | 50             | 100  | 200  | 400  | 600  | 800  | 1000 | V             |
| Maximum RMS voltage  | $V_{RMS}$   | 35             | 70   | 140  | 280  | 420  | 560  | 700  | V             |
| Maximum DC blocking voltage  | $V_{DC}$    | 50             | 100  | 200  | 400  | 600  | 800  | 1000 | V             |
| Maximum average forward<br>Output current @ $T_c=50^\circ C$                                   | $I_{F(AV)}$ | 1.5            |      |      |      |      |      |      | A             |
| Peak forward surge current<br>8.3ms single half-sine-wave<br>superimposed on rated load        | $I_{FSM}$   | 50             |      |      |      |      |      |      | A             |
| Maximum instantaneous forward voltage<br>at 1.0 A  | $V_F$       | 1.0            |      |      |      |      |      |      | V             |
| Maximum reverse current @ $T_A=25^\circ C$<br>at rated DC blocking voltage @ $T_A=125^\circ C$ | $I_R$       | 5.0<br>0.5     |      |      |      |      |      |      | $\mu A$<br>mA |
| Operating junction temperature range   | $T_J$       | - 55 --- + 125 |      |      |      |      |      |      | $^\circ C$    |
| Storage temperature range  | $T_{STG}$   | - 55 --- + 150 |      |      |      |      |      |      | $^\circ C$    |

# W005M-W10M

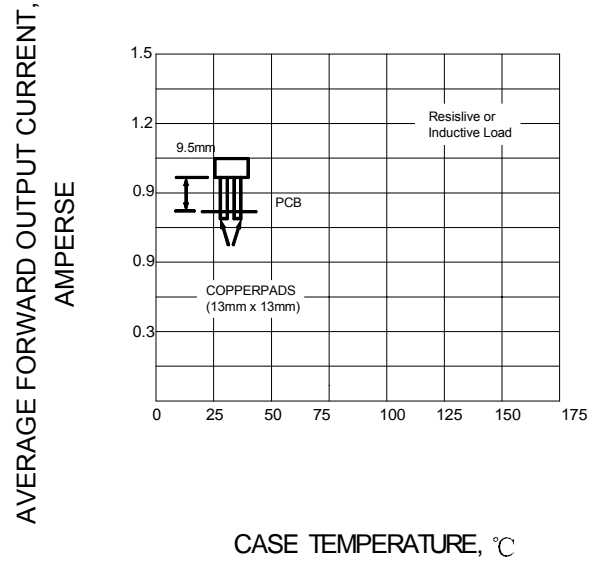
Silicon Bridge Rectifiers

## Ratings AND Characteristic Curves

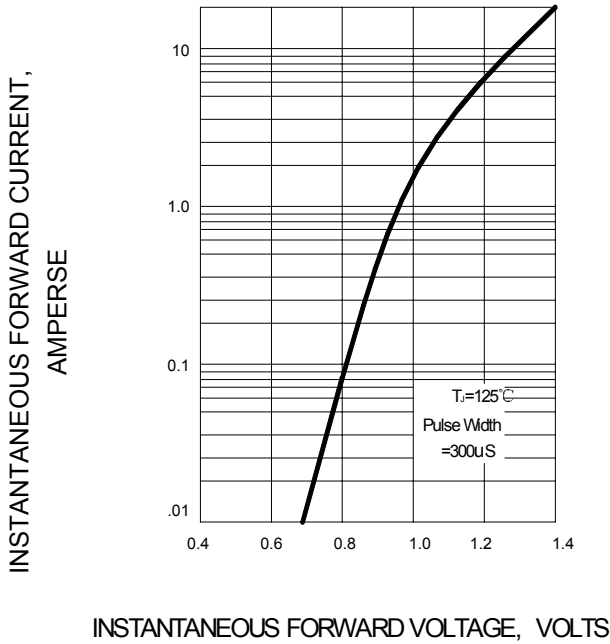
**FIG.1 – PEAK FORWARD SURGE CURRENT**



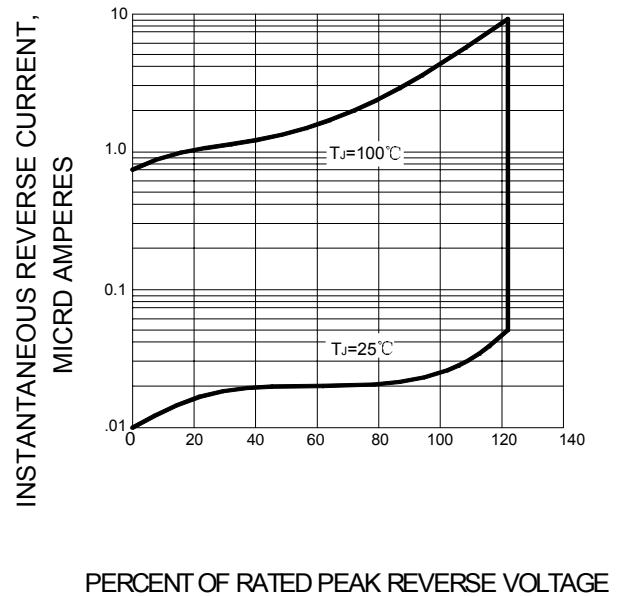
**FIG.2 – FORWARD DERATING CURVE**



**FIG.3 – TYPICAL FORWARD CHARACTERISTIC**



**FIG.4 – TYPICAL REVERSE CHARACTERISTIC**



## X-ON Electronics

Largest Supplier of Electrical and Electronic Components

*Click to view similar products for [Bridge Rectifiers](#) category:*

*Click to view products by [Luguang](#) manufacturer:*

Other Similar products are found below :

[MB2510](#) [MB356G](#) [MB358G](#) [MP358-BP](#) [GBJ1504-BP](#) [GBU15J-BP](#) [GBU15K-BP](#) [GBU4A-BP](#) [GBU4D-BP](#) [GBU6B-E3/45](#) [GSIB680-E3/45](#)  
[DB101-BP](#) [DF01](#) [DF10SA-E345](#) [BU1508-E3/45](#) [KBPC50-10S](#) [RS405GL-BP](#) [G5SBA60-E3/51](#) [GBJ1502-BP](#) [GBU10J-BP](#) [GBU4J-BP](#)  
[GBU6M](#) [GBU8D-BP](#) [GBU8J-BP](#) [GSIB1520-E3/45](#) [2KBB10](#) [36MB140A](#) [TB102M](#) [MB1510](#) [MB258](#) [MB6M-G](#) [MB86](#) [TL401G](#)  
[MDA920A2](#) [TU602](#) [TU810](#) [BR1005-BP](#) [BR101-BP](#) [BR84DTP204](#) [BU2008-E3/51](#) [36MB100A](#) [36MT160](#) [36MT60](#) [KBPC25-02](#) [VS-](#)  
[2KBB60](#) [DBB08G-TM-E](#) [DBD250G](#) [DBF20G](#) [DF06SA-E345](#) [DF1510S](#)