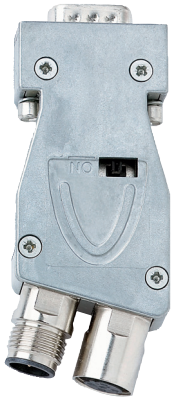




0976 PMC 515

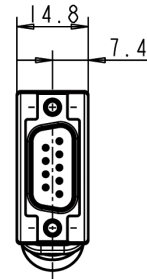
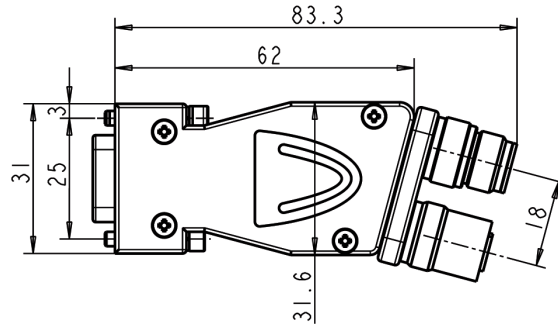
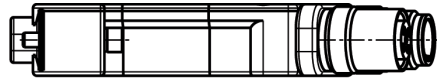


D-SUB / M12 Connectors for Profibus

9-Pole (D-Sub) 180° Compact Version

Profibus connector, 180° compact version, M12 B-coding, male and female quick connector, full metal body, with external switch for bus termination.

0976 PMC 515





Be Certain with Belden

D-SUB / M12 Connectors for Profibus

0976 PMC 515

Technical Data

Data Rate 12 MBit/s

Environmental

Degree of protection IP 30

Operating temperature range -20°C (-4°F) / +70°C (+158°F)

Permissible humidity Max 75% at +25°C, non-condensing

Mechanical

Housing / Molded body Zn alloy

D-Sub locking screw UNC 4-40

Connector and pin layout acc. to PROFIBUS specification

Dimensions in mm 84.8 x 35.6 x 16.8

Mechanical Lifetime 200 Mating cycles

Interfaces

PROFIBUS DP D-Sub 9 poles male

PROFIBUS cable M12 B-code male and female,
Pin 1 = +5V
Pin 2 = Line A
Pin 3 = GND (0V)
Pin 4 = Line B

Shielded Profibus M12-Cable B-Code: only Pin 2 and 4 connected,
shield transfer only via shell (e.g. 0975 254 10x/... M)

Bus Termination Bus termination resistors activated via external switch or
via external terminator on Bus-Out-Connector (e.g. 0979 PTX 101)

Part Number	Pins D-Sub	Pins M12
0976 PMC 515	9	5 B

X-ON Electronics

Largest Supplier of Electrical and Electronic Components

Click to view similar products for D-Sub Adapters & Gender Changers category:

Click to view products by [Lumberg manufacturer](#):

Other Similar products are found below :

[09641007210](#) [09641007240](#) [09642007240](#) [09643007210](#) [09643007240](#) [0976 PMC 515](#) [1201000004](#) [156-03002-E](#) [156-03022-E](#) [156-03042-E](#) [156-03062-E](#) [156-03082-E](#) [156-03102-E](#) [163A50009X](#) [163A50019X](#) [163A50029X](#) [163A50049X](#) [16-501373](#) [1652664](#) [1652677](#) [1652693](#) [1688722](#) [173114-0078](#) [173114-0081](#) [173114-0082](#) [173114-0083](#) [173114-0085](#) [173114-0086](#) [173114-0088](#) [173114-0090](#) [173114-0091](#) [173114-0093](#) [173114-0094](#) [173114-0097](#) [173114-0098](#) [173114-0099](#) [173114-0100](#) [173114-0102](#) [173114-0259](#) [173114-0271](#) [173114-0272](#) [173114-0286](#) [173114-0288](#) [212560-2](#) [230017003](#) [2310387](#) [232017003](#) [232SP9](#) [234016003](#) [234017003](#)