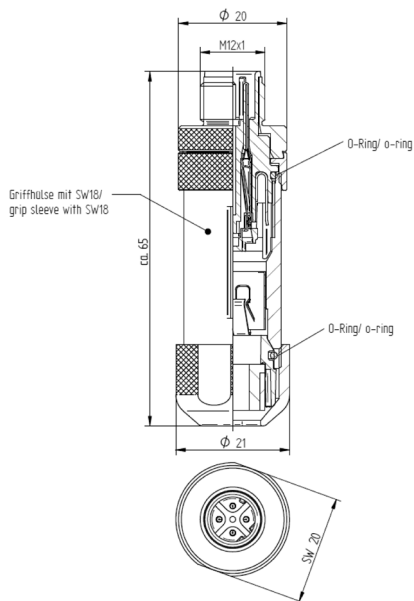


## Industrial Ethernet Field Attachable Connectors for PROFINET or Ethernet/IP Applications



Type	0986 EMC 102
<b>Product description</b>	Field attachable connector, M12 male connector, 3- and 4-pole with threaded joint, shieldable, assembling with spring-type terminals.  0986 EMC 102: 4 poles, D coding, especially suitable for Industrial EtherNet data cable 0985 342 000/... M
<b>Environmental</b>	
<b>Degree of protection</b>	IP 67 / NEMA 6P
<b>Operating temperature range</b>	-25°C (-13°F) / +90°C (+194°F)
<b>Mechanical</b>	
<b>Housing / Molded body</b>	GD-ZnAl, pre-coppered and nickel-plated
<b>Pins</b>	4D
<b>Cable diameter range</b>	Ø 4.0-9.0 mm
<b>Insert</b>	PBT
<b>Contacts</b>	Stainless steel, silver-plated, gold-plated
<b>Receptacle</b>	CuZn, nickel-plated
<b>Shield sleeve</b>	CuBe, tin-plated
<b>O-ring</b>	FKM
<b>Mode of connection</b>	Spring-type terminals
<b>Connectable conductor</b>	0.14–0.50 mm <sup>2</sup> , 0.14 mm <sup>2</sup> with terminal pin sleeve
<b>Electrical</b>	
<b>Contact resistance</b>	≤ 5 mΩ
<b>Nominal current at 40°C</b>	4 A
<b>Nominal voltage</b>	120 V
<b>Rated voltage</b>	125 V
<b>Test voltage</b>	1.5 kV eff. / 60 s
<b>Insulation resistance</b>	> 109 Ω
<b>Pollution degree</b>	3

The application of these products in harsh environments should always be checked before use. Specifications subject to alteration.

### Pin assignment

M12, Male, 4-poles D-coding



Part number	Order number
0986 EMC 102	900001428



## X-ON Electronics

Largest Supplier of Electrical and Electronic Components

*Click to view similar products for [Circular Metric Connectors](#) category:*

*Click to view products by [Lumberg](#) manufacturer:*

Other Similar products are found below :

[600X518037X](#) [6STD15PCR99B70A](#) [8R4000A16M020](#) [8R5000A16M005](#) [1200910002](#) [1203580030](#) [1200910008](#) [1200910011](#) [1300140094](#)  
[130203-0054](#) [1300140026](#) [1300150099](#) [RF-12S1N8A90DU](#) [1-3637-600-5205](#) [1612618](#) [21036836414](#) [8R4006A16M010](#) [8R5006A18A120](#)  
[1604232](#) [1R3006A20M005](#) [RF-12P1N8A80DU](#) [RF-12P1N8A90DU](#) [41-40011](#) [42-01015](#) [4-22279-4](#) [4-22281-1](#) [4-22284-9](#) [43-00113](#) [43-](#)  
[01088](#) [43-01203](#) [41-40013](#) [42-00008](#) [43-00343](#) [43-01032](#) [43-01162](#) [43-10000](#) [600X518050X](#) [SACC-DSI-FS-5P-PG9-L180 SC](#)  
[8R5006A16M020](#) [8R5006A16M005](#) [8R4000A16M010](#) [6-22279-3](#) [1605332](#) [N03FA03144](#) [1300140077](#) [43-01338](#) [XS2RD4265](#) [XS2R-](#)  
[D426-1](#) [XS8A-0441](#) [859RD04-103R004](#)