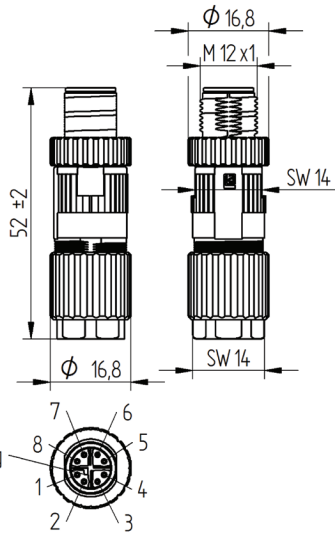




Gigabit Shieldable Field Attachable Connector

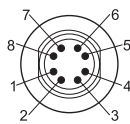


Type	0986 EMC 600
Product description	Field attachable connector, M12 male connector with threaded joint, shieldable, assembling with insulation displacement connection, 8 poles X coded.
Mechanical	
Approvals	EN 45545-2 (HL3) Fire Protection on railway vehicles
Environmental	
Degree of protection	IP 67 (only in locked position with it proper counterparts.)
Operating temperature range	-25°C to +85°C, notice Derating
Materials	
Contact bearer	PA
Housing	GD - ZnAl, nickel-plated
Contact	CuZn
Contact plating	Cu/Au
Knurled screw	GD - ZnAl / CuZn, nickel-plated
Shielding- / Grounding- plate strain relief clamp	PA
O-ring	FPM
Gasket(s)	NBR
Electrical	
Operating voltage	48 V
Rated voltage	50 V AC / 60 V DC
Rated current	0.5 A Notice derating
Insulation resistance	> 10 ⁸ Ω
Pollution degree	3/2 acc. to DIN EN 60664-1 (VDE 0110-1)
Mating cycles	> 100
Type of connection	ID
Cable-data	
outer diameter cable	∅ 5...9.7 mm
recommended cable cross-section	AWG26/7 - AWG22/7 AWG24/1 - AWG22/1
Cutline	
Do not connect or disconnect under load.	

The application of these products in harsh environments should always be checked before use. Specifications subject to alteration.

Pin assignment

M12 Socket



Part number
0986 EMC 600

Order number
934-637-032



X-ON Electronics

Largest Supplier of Electrical and Electronic Components

Click to view similar products for [Circular Metric Connectors](#) category:

Click to view products by [Lumberg](#) manufacturer:

Other Similar products are found below :

[600X518037X](#) [MA1EAF1200](#) [6STD15PCR99B70A](#) [8R4000A16M020](#) [8R4A00A18M020](#) [8R5000A16M005](#) [1200910008](#) [1200910011](#)
[1300140094](#) [130203-0054](#) [1300150099](#) [RF-12S1N8A90DU](#) [1-3637-600-5205](#) [1612618](#) [8R4006A16M010](#) [8R5006A18A120](#) [1604232](#)
[1R3006A20M005](#) [RF-12P1N8A80DU](#) [RF-12P1N8A90DU](#) [41-01016](#) [41-40011](#) [41-40017](#) [42-01015](#) [4-22279-4](#) [4-22281-1](#) [4-22284-9](#) [43-](#)
[00002](#) [43-01166](#) [41-40005](#) [41-40016](#) [43-00161](#) [43-01191](#) [XS3P-M421-2](#) [600X518050X](#) [SACC-DSI-FS-5P-PG9-L180 SC](#) [8R4006A16A120](#)
[8R4000A16M010](#) [RKC 50/16](#) [1R3004A20A1201](#) [6-22279-3](#) [N03FA03144](#) [1300140077](#) [XS8A-0441](#) [859RD04-103R004](#) [860RD04-113R004](#)
[860RD04-213R004](#) [860-X08-213R004](#) [1-213245-2](#) [2273142-2](#)