

24

2436 02

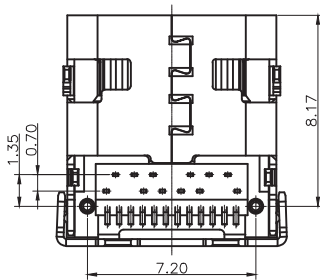
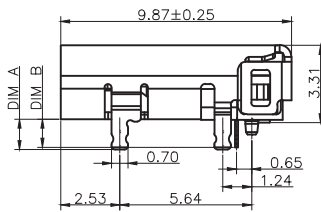
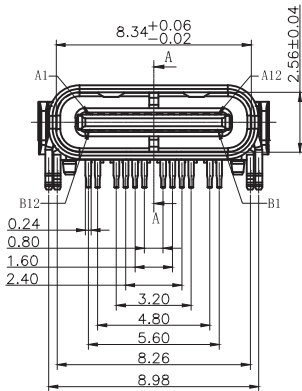
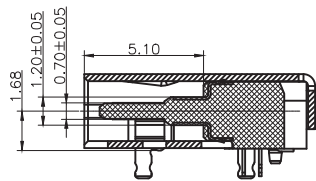
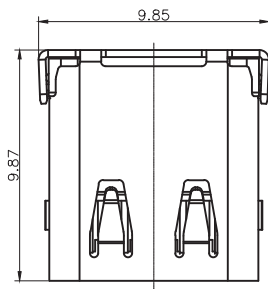
USB and IEEE 1394 connectors



USB 3.1 chassis socket type C, 24 poles, angular version,
for printed circuit boards, surface mounting technology
(SMT/THT)

24

2436 02



Environmental conditions

Temperature range -25 °C/+85 °C

Materials

Insulating body LCP, V-0 according to UL94
Contact spring Cu alloy, gold-plated
Housing steel, nickel-plated

Mechanical data

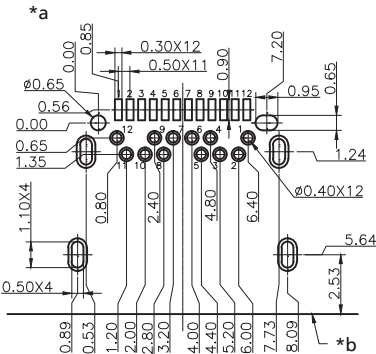
Mating cycles 10000
Insertion force 5–20 N
Withdrawal force 8–20 N

Electrical data (at T_{amb} 20 °C)

Contact resistance 40 mΩ
Rated current 5 A/1.25 A/0.25 A
Rated voltage 5 V
Rated impulse voltage 100 V/60 s
Insulation resistance ≥ 100 MΩ

Associated products

Counterparts
☞ 2483 01



*a printed circuit board layout, components side view
 *b connector front edge

24

2436 02

Designation	Pole Number	PU (Pieces)	MDQ (Pieces)
2436 02	24	1000	1000

Packaging:

on reel

X-ON Electronics

Largest Supplier of Electrical and Electronic Components

Click to view similar products for [USB Connectors](#) category:

Click to view products by [Lumberg](#) manufacturer:

Other Similar products are found below :

[950](#) [A-USB A-LP-SMT-C](#) [A-USB B-TOP-C](#) [MUSBD11135](#) [17-200721](#) [217450-1](#) [KMBVX-TH-5S-B30](#) [896-30-004-00-000000](#) [KUSBX-AS2N-W](#) [KUSBX-SMT2AP1S-W30](#) [935](#) [957](#) [30-498-6](#) [SK-60A-2](#) [1734082-1](#) [30-1574](#) [30-470](#) [30-489](#) [30-541](#) [MAB 5 S](#) [A-USB A-2P-C](#) [MIKROE-1451](#) [USBFTV2PEM2G](#) [1-1734084-2](#) [10135326-001LF](#) [4198](#) [690-024-633-031](#) [17-200011](#) [UB-20AFMM-LL7A01](#) [CAP-WCCMLPB1](#) [CAP-WCCMLPC1](#) [2274475-3](#) [914-614A2025S10200](#) [USB3FTV7SAGF059](#) [GSB3116344HR](#) [GSB22121WCEU](#) [GMSB0522152Y5EU](#) [USB3FTV2SAZNF459](#) [USB3FTV7SAZNF459](#) [USBTJ-02](#) [CUC-V06-F1PGY-UBA/UBBB](#) [CUC-V06-F1PGY-UBB/UBAB](#) [KMMX-BSMT35S-1-B30TR](#) [00201-UCAF002-X](#) [00302-UCAF001-X](#) [00302-UCAF005-A](#) [00302-UCAF006-A](#) [00302-UCAF007-B](#) [00302-UCAM002-N](#) [00304-UCAM005-X](#)