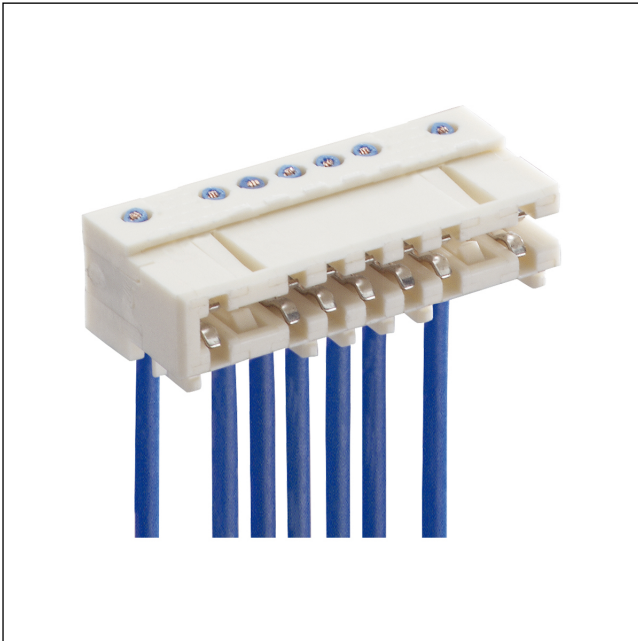


35

3515

RAST 2.5 connectors, pitch 2.5/5.0 mm



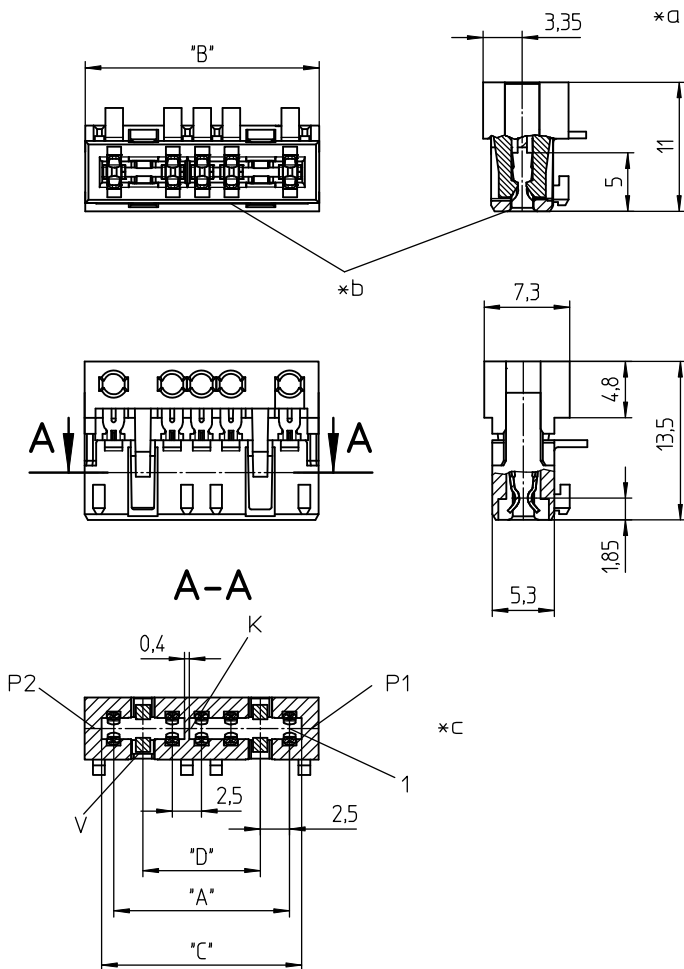
RAST 2.5 connector for direct mating, insulation displacement technology (IDT), with locking on printed circuit board by means of locking hooks, alternatively with or without keying rib and closed sides, for individual conductors, daisy chain possible
contact pitch 2.5 mm

Approvals:



35

3515



Environmental conditions

Temperature range -40 °C/+130 °C¹

¹ upper limit temperature (insulating body) RTI (electrical) of the UL Yellow Card

Materials

Insulating body PBT, V-0 according to UL94 – 3515 (S...V...)
PA, V-2 according to UL94 – 3515 M12(S...V...)¹

Contact spring CuSn, tin-plated – 3515 (M...S...)
CuSn, tin-plated (Sn/Ag), 2-9 poles – 3515 (M...S...)V03
CuSn, pre-nickel and gold-plated – 3515 (M...S...)V102
CuSn, tin-plated, with lubricant, 2-9 poles – 3515 (M...S...)V214

¹ M12: component glow wire resistant (GWT 750 °C), testing acc. to IEC 60695-2-11, assessment acc. to IEC 60335-1 (flame < 2 s)

Mechanical data

Mating with printed circuit board 1.5 ± 0.14 mm

Insertion force/contact ≤ 4,0 N¹

Withdrawal force/contact ≥ 0,5 N¹

Retaining force/locking ≥ 6,0 N²

Keying proposals at www.lumberg.com 

¹ measured with a polished steel pin, nominal thickness 1.5 mm

² measured with a polished steel gauge, nominal thickness 1.5 mm


Connectable conductors for IDT area

Construction discrete conductor, notched flat cable 2.5 mm

Section min. 0,14 mm²

Section max. 0,38 mm²

Insulation diameter ≤ 1,6 mm

Approved cables at www.lumberg.com 

Electrical data (at T_{amb} 20 °C)

Contact resistance ≤ 5 mΩ

Rated current 4 A (T_{amb} 60 °C)
2 A (T_{amb} 100 °C)

Rated voltage 32 V AC

Material group IIIa (IEC)/2 (UL) (CTI ≥ 250)

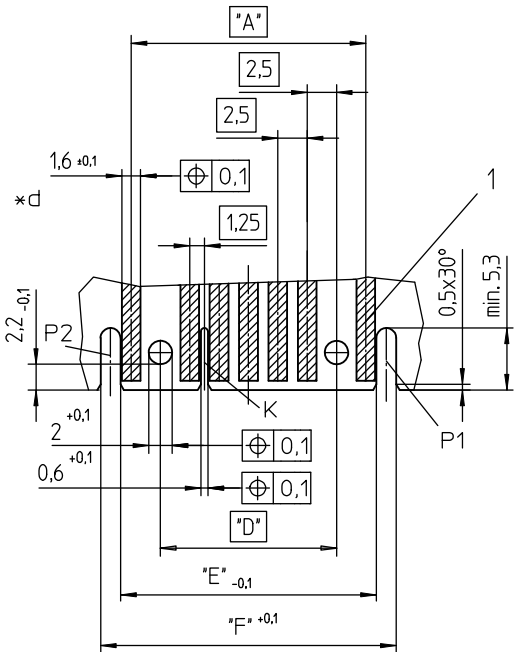
Creepage distance 0,6 mm

Clearance 0,6 mm

Insulation resistance > 1 GΩ

35

3515



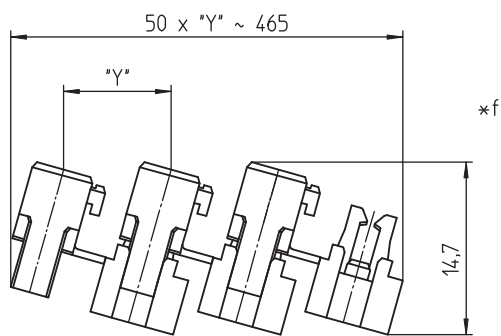
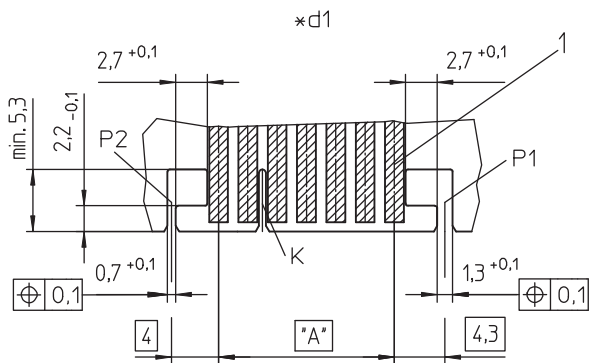
Associated products

Harnessing equipment

- ☑ HA3...e
- ☑ HA35e-CA
- ☑ HZ35
- ☑ VARICON 7000
- ☑ VARICON 7000-RD
- ☑ HA35-CA
- ☑ HA35e-RK
- ☑ HZ35-K
- ☑ VARICON 7000-Eco
- ☑ VARICON 7000-Eco-CR
- ☑ HA35e
- ☑ HZ-M35
- ☑ KHP35
- ☑ VARICON 7000-Eco-CR

35

3515



- *a terminated connector
- *b color marking:
3515 (M..)S01 blue
3515 (M..)S02 green
3515 (M..)S03 brown
- *c K = keying (alternatively)
P1, P2 = positioning (alternatively)
V = lock (1 up to 6 poles, 2 from 7 poles on)
- *d example for printed circuit board layout
- *d1 example for printed circuit board layout for version with outward locking hooks and thin sidewall
- *f chaining of the component parts (state of delivery)

35

3515

Designation	Pole Number	PU (Pieces)	MDQ (Pieces)	Dimensions					
				A (mm)	B (mm)	C (mm)	D (mm)	E (mm)	F (mm)
3515 03	3	2700	2700	7.5	12.4	9.5	-	9.45	12.6
3515 04	4	2250	2250	10.0	14.9	12.0	-	11.95	15.1
3515 05	5	1800	3600	12.5	17.4	14.5	-	14.45	17.6
3515 06	6	1800	3600	15.0	19.9	17.0	-	16.95	20.1
3515 07	7	1350	2700	20.0	24.9	22.0	15.0	21.95	25.1
3515 08	8	1350	2700	22.5	27.4	24.5	17.5	24.45	27.6
3515 09	9	900	2700	25.0	29.9	27.0	20.0	26.95	30.1
3515 10	10	900	2700	27.5	32.4	29.5	22.5	29.45	32.6
3515 11	11	900	2700	30.0	34.9	32.0	25.0	31.95	35.1
3515 12	12	900	2700	32.5	37.4	34.5	27.5	34.45	37.6
3515 13	13	900	2700	35.0	39.9	37.0	30.0	36.95	40.1
3515 14	14	450	2700	37.5	42.4	39.5	32.5	39.45	42.6
3515 15	15	450	2700	40.0	44.9	42.0	35.0	41.95	45.1
3515 16	16	450	2700	42.5	47.4	44.5	37.5	44.45	47.6
3515 17	17	450	2700	45.0	49.9	47.0	40.0	46.95	50.1
3515 18	18	450	2700	47.5	52.4	49.5	42.5	49.45	52.6

Designation to be completed by further details (e.g. for keying, color or material options).

Packaging:

chained, in a cardboard box

X-ON Electronics

Largest Supplier of Electrical and Electronic Components

Click to view similar products for [Unspecified Connectors](#) category:

Click to view products by [Lumberg](#) manufacturer:

Other Similar products are found below :

[1-21107-1](#) [RAD-OUT-8D-REL](#) [1409899](#) [1-1589688-1](#) [770690-4](#) [QUINT-PS/1AC/48DC/10](#) [1200110](#) [1200113](#) [LTWBD-06PMMP-LC7001](#)
[RC-5AS2000](#) [RAD-900-CONF-RF1](#) [RAD-CON-SMA-N-SS](#) [RAD-PIG-EF316-N-RSMA](#) [RAD-ISM-2400-ANT-VAN-3-0-R](#) [RIF-0-RPT-](#)
[12DC/21](#) [RIF-1-BPT/2X21](#) [RIF-RH-1](#) [2000 3/8](#) [3040 17-1/2](#) [GOL BLUE 25](#) [800307](#) [5043994](#) [5736861](#) [1714624](#) [5772605](#) [1016808](#)
[41.032.4053.1](#) [RM12BPE-3PH\(76\)](#) [RM12BPE-6PH\(76\)](#) [44429310](#) [RM15TPD-10P\(76\)](#) [0250 02](#) [0250 03](#) [0250 04](#) [0250 05](#) [0250 06](#) [0250 07](#)
[0250 08](#) [0251 02](#) [0251 04](#) [0251 05](#) [0251 07](#) [0251 08](#) [0251 09](#) [0252 02](#) [0252 03](#) [0252 04](#) [0252 05](#) [0252 07](#) [0252 09](#)