

35

3575

RAST 2.5 connectors, pitch 2.5/5.0 mm



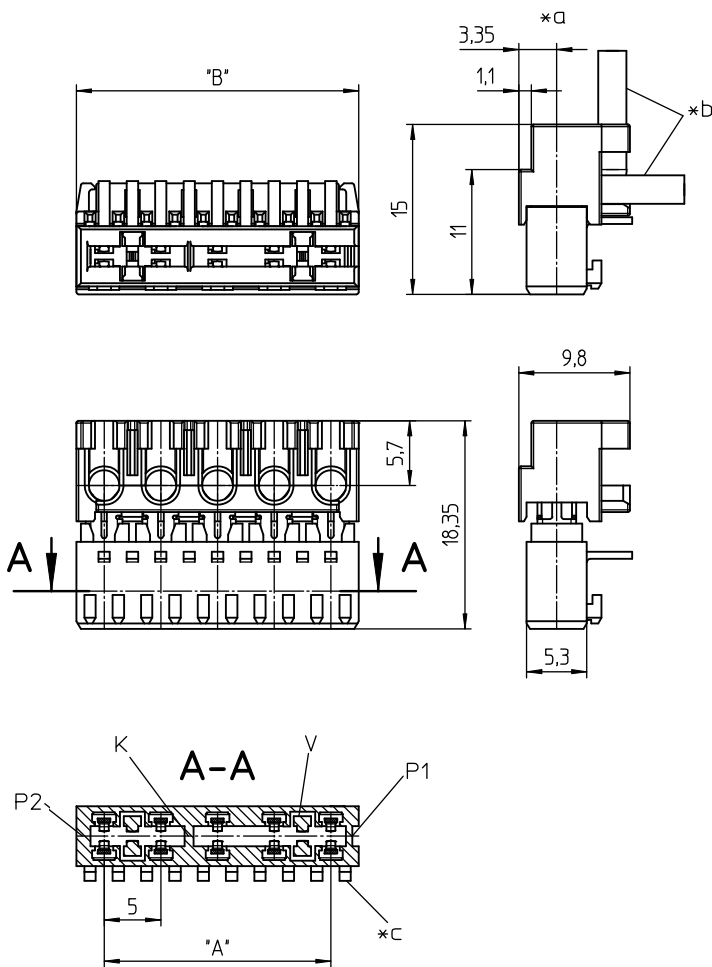
RAST 2.5 Power connector for direct mating, insulation displacement technology (IDT), alternatively with or without locking on printed circuit board, with or without keying rib and closed sides, consecutive placement without loss of pitch
contact pitch 5.0 mm

Approvals:



35

3575



Environmental conditions

Temperature range -40 °C/+130 °C¹

¹ upper limit temperature (insulating body) RTI (electrical) of the UL Yellow Card


Materials

Insulating body PBT GF, V-0 according to UL94 – 3575
PA, V-2 according to UL94 – 3575 M09¹


Contact spring Cu alloy, silver-plated – 3575
Cu alloy, tin-plated (Sn/Ag) – 3575 V03

¹ M09: component glow wire resistant (GWT 750 °C), testing acc. to IEC 60695-2-11, assessment acc. to IEC 60335-1 (flame < 2 s)

Mechanical data

Mating with printed circuit board 1.5 ± 0.14 mm
Insertion force/contact ≤ 4.0 N
Withdrawal force/contact ≥ 0.5 N
Keying proposals at www.lumberg.com 

Connectable conductors for IDT area

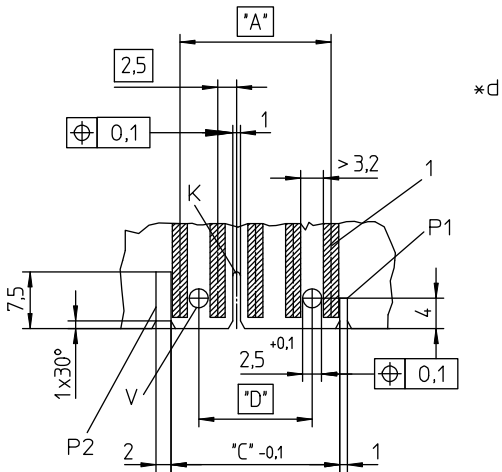
Construction discrete conductor, notched flat cable 5.0 mm
Section min. 0.35 mm²
Section max. 0.82 mm²
Insulation diameter ≤ 2.5 mm
Approved cables at www.lumberg.com 

Electrical data (at T_{amb} 20 °C)

Contact resistance ≤ 5 mΩ
Rated current 3575: 6 A (T_{amb} 70 °C)
3575 V03: 6 A (T_{amb} 70 °C, max. 4 poles under load)
Rated voltage 400 V AC
Material group IIIa (IEC)/2 (UL) (CTI ≥ 250)
Creepage distance ≥ 4.0 mm
Clearance ≥ 4.0 mm
Insulation resistance > 1 GΩ

35

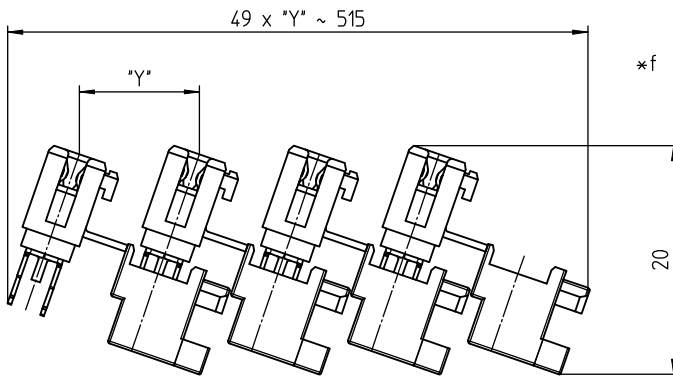
3575



Associated products

Harnessing equipment

☑ HA3...e	☑ HA357e	☑ HA357e-CA
☑ HA357f-CA-KC-KT	☑ HZ-M357	☑ KHP357
☑ VARICON 7000	☑ VARICON 7000-Eco	☑ VARICON 7000-Eco-CR
☑ VARICON 7000-Inline	☑ VARICON 7000-Inline-CR	☑ VARICON 7000-RD
☑ VARICON 7000-RD-CR		



- *a terminated connector
- *b cable departure
- *c K = keying
P = positioning
V = lock
- *d example for printed circuit board layout
- *f chaining of the component parts (state of delivery)

35

3575

Designation	Pole Number	PU (Pieces)	MDQ (Pieces)	Dimensions			
				A (mm)	B (mm)	C (mm)	D (mm)
3575 02	2	3528	3528	5	9.9	7.3	-
3575 03	3	2352	2352	10	14.9	12.3	5
3575 04	4	1764	1764	15	19.9	17.3	10
3575 05	5	1176	2352	20	24.9	22.3	15
3575 06	6	1176	2352	25	29.9	27.3	20
3575 07	7	882	2646	30	34.9	32.3	25
3575 08	8	882	2646	35	39.9	37.3	30
3575 09	9	588	2352	40	44.9	42.3	35
3575 10	10	588	2352	45	49.9	47.3	40

Designation to be completed by further details (e.g. for keying, color or material options).

Packaging:

chained, in a cardboard box

X-ON Electronics

Largest Supplier of Electrical and Electronic Components

Click to view similar products for [Unspecified Connectors](#) category:

Click to view products by [Lumberg](#) manufacturer:

Other Similar products are found below :

[1-21107-1](#) [RAD-OUT-8D-REL](#) [1409899](#) [1-1589688-1](#) [770690-4](#) [QUINT-PS/1AC/48DC/10](#) [1200110](#) [1200113](#) [LTWBD-06PMMP-LC7001](#)
[RC-5AS2000](#) [RAD-900-CONF-RF1](#) [RAD-CON-SMA-N-SS](#) [RAD-PIG-EF316-N-RSMA](#) [RAD-ISM-2400-ANT-VAN-3-0-R](#) [RIF-0-RPT-](#)
[12DC/21](#) [RIF-1-BPT/2X21](#) [RIF-RH-1](#) [2000 3/8](#) [3040 17-1/2](#) [GOL BLUE 25](#) [800307](#) [5043994](#) [5736861](#) [1714624](#) [5772605](#) [1016808](#)
[41.032.4053.1](#) [RM12BPE-3PH\(76\)](#) [RM12BPE-6PH\(76\)](#) [44429310](#) [RM15TPD-10P\(76\)](#) [0250 02](#) [0250 03](#) [0250 04](#) [0250 05](#) [0250 06](#) [0250 07](#)
[0250 08](#) [0251 02](#) [0251 04](#) [0251 05](#) [0251 07](#) [0251 08](#) [0251 09](#) [0252 02](#) [0252 03](#) [0252 04](#) [0252 05](#) [0252 07](#) [0252 09](#)