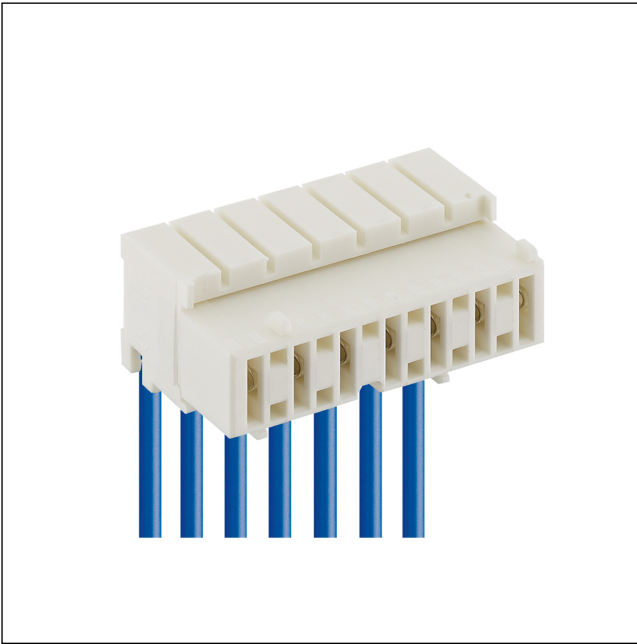


36

3626

RAST 5 connectors, pitch 5.0 mm

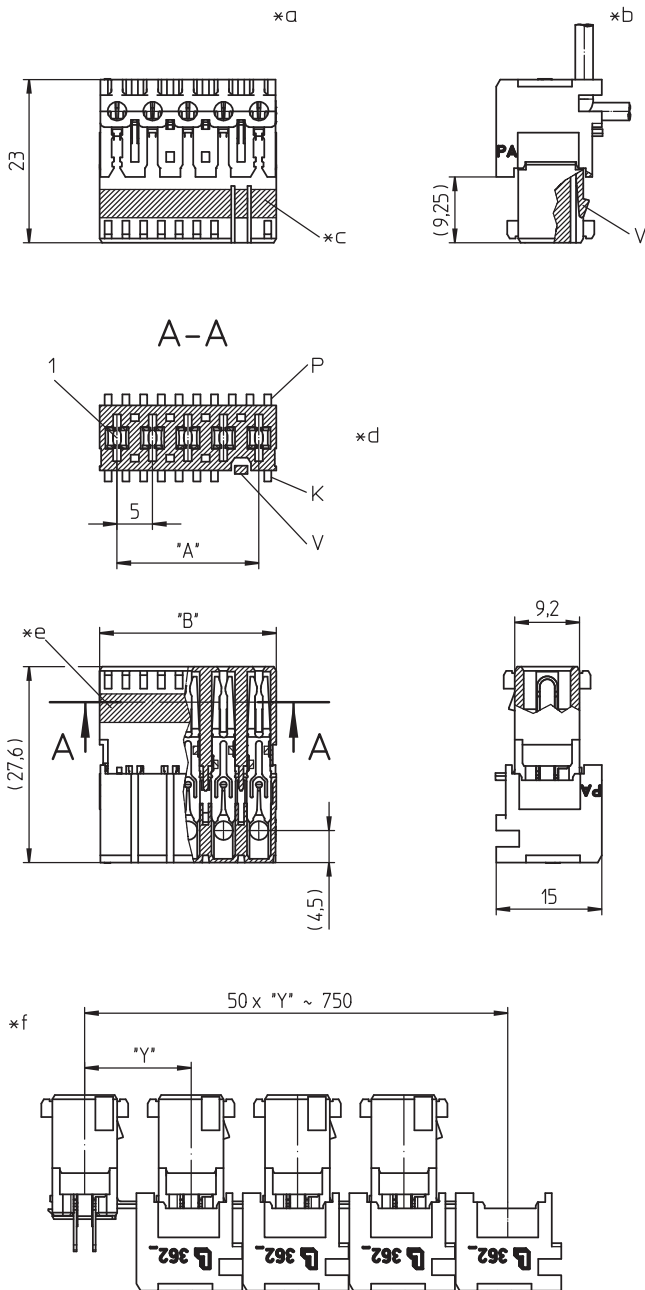


RAST 5 connector for indirect mating, insulation displacement technology (IDT), with interior locking, consecutive placement without loss of pitch

Approvals:



36 3626



Environmental conditions

Temperature range	-40 °C/+125 °C – 3626 (S..V..)
	-40 °C/+130 °C – 3626 M08(S..V..)
	-40 °C/+130 °C – 3626 M20(S..V..) ¹


¹ upper limit temperature (insulating body) RTI (electrical) of the UL Yellow Card

Materials

Insulating body	PA, V-2 according to UL94 – 3626 (S..V..)
	PA, V-2 according to UL94 – 3626 M08(S..V..)
	PA, V-0 according to UL94 – 3626 M20(S..V..) ¹
Contact spring	CuSn, tin-plated – 3626 (M..S..)
	CuSn, silver-plated – 3626 (M..S..)
	V01


¹ M08: component glow wire resistant (GWT 750 °C), testing acc. to IEC 60695-2-11, assessment acc. to IEC 60335-1 (flame < 2 s)
M20: material halogen-free, GWFI 850 °C (0.4 mm), GWIT 775 °C (0.4 mm)

Mechanical data

Mating with	tab contact 6.3 mm x 0.8 mm according to DIN 46244
Insertion force/contact	≤ 4,0 N ¹
Withdrawal force/contact	≥ 1,0 N ¹
Keying proposals	at www.lumberg.com 

¹ measured with a polished flat steel pin, nominal thickness 0.8 mm

Connectable conductors for IDT area

Construction	discrete conductor, notched flat cable 5.0 mm
Section min.	0,22 mm ²
Section max.	1,0 mm ²
Insulation diameter	≤ 2,5 mm
Approved cables	at www.lumberg.com 

Electrical data (at T_{amb} 20 °C)

Contact resistance	≤ 5 mΩ
Rated current	10 A (0.75 mm ² , T _{amb} 70 °C) – 3626 (M..V..)
	4 A (0.38 mm ² , T _{amb} 70 °C) – 3626 (M..)S01(V..)
Rated voltage	250 V AC ¹
Material group	I (IEC)/0 (UL) (CTI ≥ 600) – 3626 (S..V..), 3626 M20(S..V..)
	IIIa (IEC)/2 (UL) (CTI ≥ 250) – 3626 M08(S..V..) ¹
Creepage distance	3,2 mm
Clearance	3,2 mm
Insulation resistance	> 10 GΩ

¹ according to IEC 60664/DIN EN 60664, CTI UL classification according to ANSI/UL 746A

- *a terminated connector
- *b cable departure 90° or 180°
- *c color marking blue at 3626 (M..)S01
- *d K = keying
P = positioning
V = lock
- *e optional color keying (FB)
- *f chaining of the component parts (state of delivery)

Associated products

Counterparts

↗ 3618	↗ 3618-1	↗ 3618-2
↗ 3618-3	↗ 361899	↗ 361899-1
↗ 361899-2	↗ 361899-3	↗ 3641
↗ 364199	↗ 3642	↗ 364299
↗ 3643	↗ 364399	↗ 3644
↗ 364499	↗ 3645	↗ 364599
↗ 3647	↗ 3648	↗ 3649
↗ 3671	↗ 367199	↗ 3672
↗ 367299	↗ 3673	↗ 367399
↗ 3674	↗ 367499	↗ 3676
↗ 3677	↗ 3678	↗ 3679
↗ 3680	↗ 3683	

Harnessing equipment

↗ HA36e	↗ HA36e-CA	↗ HZ-M36
↗ HZ36-K	↗ KHP36	↗ VARICON 7000
↗ VARICON 7000-Eco	↗ VARICON 7000-Eco-CR	↗ VARICON 7000-RD

Designation	Pole Number	PU (Pieces)	MDQ (Pieces)	Dimensions	
				A (mm)	B (mm)
3626 02	2	3600	3600	5	9.9
3626 03	3	2250	2250	10	14.9
3626 04	4	1800	1800	15	19.9
3626 05	5	1350	1350	20	24.9
3626 06	6	900	1800	25	29.9
3626 07	7	900	1800	30	34.9
3626 08	8	900	1800	35	39.9
3626 09	9	450	1800	40	44.9
3626 10	10	450	1800	45	49.9
3626 11	11	450	1800	50	54.9
3626 12	12	450	1800	55	59.9

Designation to be completed by further details (e.g. for keying, color or material options).

Packaging:

chained, in a cardboard box

X-ON Electronics

Largest Supplier of Electrical and Electronic Components

Click to view similar products for [Unspecified Connectors](#) category:

Click to view products by [Lumberg](#) manufacturer:

Other Similar products are found below :

[1-21107-1](#) [RAD-OUT-8D-REL](#) [1409899](#) [1-1589688-1](#) [770690-4](#) [QUINT-PS/1AC/48DC/10](#) [1200110](#) [1200113](#) [LTWBD-06PMMP-LC7001](#)
[RC-5AS2000](#) [RAD-900-CONF-RF1](#) [RAD-CON-SMA-N-SS](#) [RAD-PIG-EF316-N-RSMA](#) [RAD-ISM-2400-ANT-VAN-3-0-R](#) [RIF-0-RPT-](#)
[12DC/21](#) [RIF-1-BPT/2X21](#) [RIF-RH-1](#) [2000 3/8](#) [3040 17-1/2](#) [GOL BLUE 25](#) [800307](#) [5043994](#) [5736861](#) [1714624](#) [5772605](#) [1016808](#)
[41.032.4053.1](#) [RM12BPE-3PH\(76\)](#) [RM12BPE-6PH\(76\)](#) [44429310](#) [RM15TPD-10P\(76\)](#) [0250 02](#) [0250 03](#) [0250 04](#) [0250 05](#) [0250 06](#) [0250 07](#)
[0250 08](#) [0251 02](#) [0251 04](#) [0251 05](#) [0251 07](#) [0251 08](#) [0251 09](#) [0252 02](#) [0252 03](#) [0252 04](#) [0252 05](#) [0252 07](#) [0252 09](#)