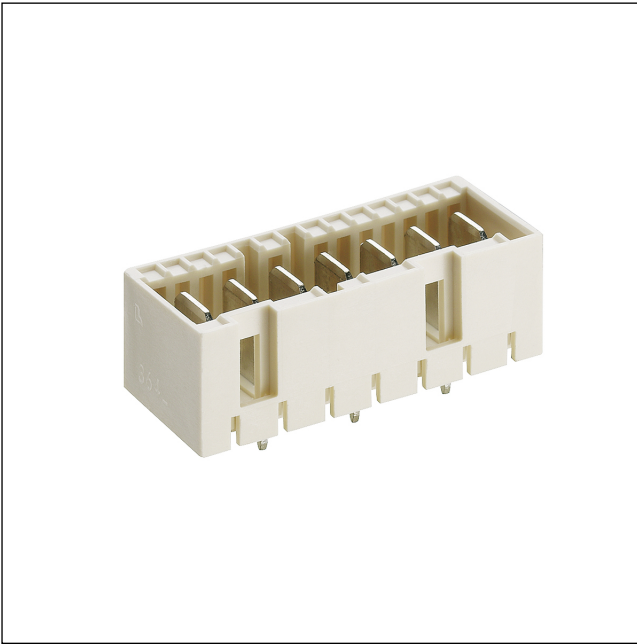


36

3641

RAST 5 connectors, pitch 5.0 mm



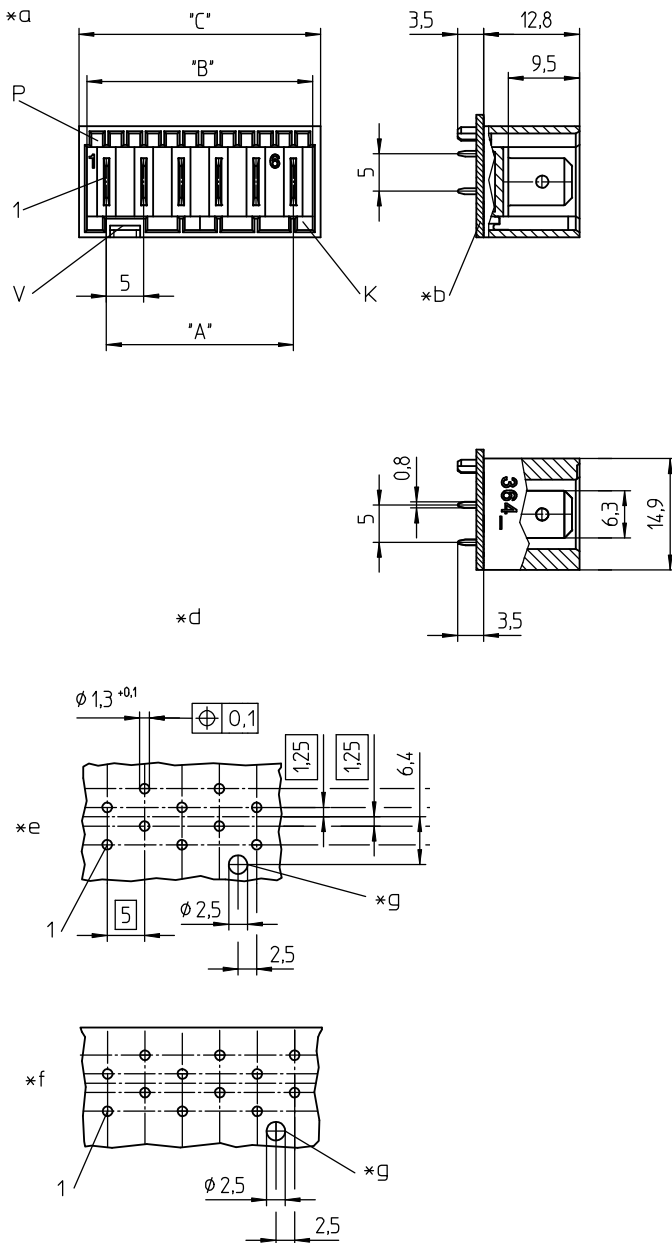
RAST 5 tab header, upright, with positioning spigot

Approvals:



36

3641



Environmental conditions

Temperature range -40 °C/+120 °C

Materials

Insulating body PA GF, V-0 according to UL94¹
Contact tab CuZn, pre-nickel and tin-plated

¹ component glow wire resistant (GWT 750 °C), testing acc. to IEC 60695-2-11, assessment acc. to IEC 60335-1 (flame < 2 s)

Mechanical data





Contact tab 6.3 x 0.8 mm according to DIN 42644

Keying proposals at www.lumberg.com 

Electrical data (at T_{amb} 20 °C)

Rated current 10 A (T_{amb} 70 °C)
Rated voltage 250 V AC
Material group IIIa (IEC)/2 (UL) (CTI ≥ 250)
Creepage distance 4,2 mm
Clearance 4,2 mm
Insulation resistance > 10 GΩ

Associated products

Counterparts
 3611  3615  3615-1
 3615-2  3615-3  3623
 3623 01 V01  3626

36

3641

-
- *a K = keying
P = positioning
V = space for lock
 - *b printed circuit board
 - *d printed circuit board layout, solder side view
 - *e uneven pole numbers
 - *f even pole numbers
 - *g bore hole for positioning spigot

36

3641

Designation	Pole Number	PU (Pieces)	MDQ (Pieces)	Dimensions		
				A (mm)	B (mm)	C (mm)
3641 02	2	250	1000	5	10.2	12.3
3641 03	3	250	1000	10	15.2	17.3
3641 04	4	250	1000	15	20.2	22.3
3641 05	5	250	1000	20	25.2	27.3
3641 06	6	250	1000	25	30.2	32.3
3641 07	7	250	1000	30	35.2	37.3
3641 08	8	250	1000	35	40.2	42.3
3641 09	9	250	1000	40	45.2	47.3
3641 10	10	250	1000	45	50.2	52.3
3641 11	11	250	1000	50	55.2	57.3
3641 12	12	250	1000	55	60.2	62.3

Designation to be completed by further details (e.g. for keying, color or material options).

Packaging:

in bulk, in a cardboard box

X-ON Electronics

Largest Supplier of Electrical and Electronic Components

Click to view similar products for [Relay Sockets & Hardware](#) category:

Click to view products by [Lumberg](#) manufacturer:

Other Similar products are found below :

[7-1393143-3](#) [7-1616347-8](#) [7-1616350-5](#) [8-1616360-0](#) [8-1616360-6](#) [9-1616339-5](#) [9-1616358-1](#) [9-1616359-7](#) [9-1616360-2](#) [PLC-10](#) [PT08QN](#)
[PT 1/8 D = 3.2](#) [12082001](#) [R99-11 FOR MY\(NAMEPLATE\)](#) [RES100K](#) [1393824-3](#) [13900001](#) [1415526-1](#) [1419106-5](#) [1423683-1](#) [1415037-1](#)
[14486001](#) [1423685-1](#) [MS-24H](#) [16-1328](#) [1616339-8](#) [MT78N60](#) [17540001](#) [20584002](#) [20C419](#) [2-1393102-4](#) [2-1419106-9](#) [2-1608090-1](#)
[P70A AC100/110](#) [PB-4H](#) [21B212](#) [RSE120027](#) [9-1616337-0](#) [9-1616337-6](#) [9-1616358-3](#) [27E1038](#) [27E448](#) [S82Y-RN](#) [2944533](#) [LMC-1](#) [16-](#)
[1340](#) [16154040](#) [9P40X1](#) [17891020](#) [17892040](#)