

M12 Actuator/Sensor Distribution Boxes

ASB 4/LED - RS120M | ASB 8/LED - RS120M

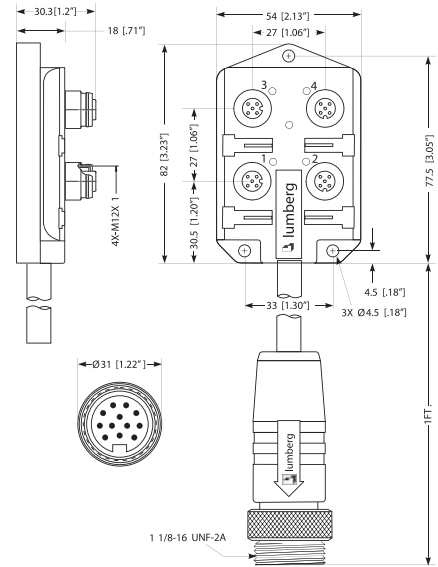


4- and 8-Ports (LED)

Actuator/sensor distribution box with LED operation and function indicators, top-entry, 4- and 8-ports, M12 sockets, 4-poles, 1 signal per socket, with integrated Mini quick disconnect home run control cable.

– control cable is suitable for c-track applications –

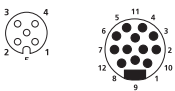
4-Ports



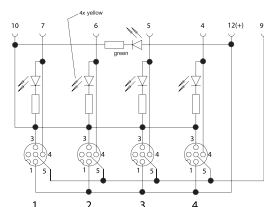
Pin Assignments

M12 / Mini 1 1/8"

Wiring Diagrams

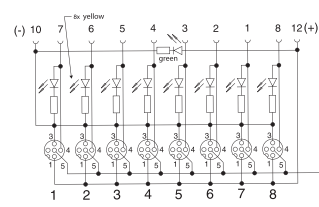


4-Ports

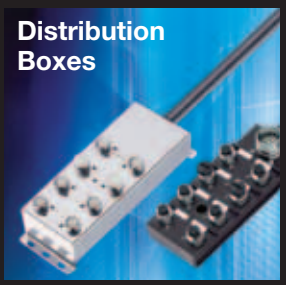


- | | |
|--------|-------|
| 1 = 12 | (+) |
| 3 = 10 | (-) |
| 4 = 1 | (7) |
| | 2 |
| | (6) |
| | 3 |
| | (5) |
| | 4 |
| | (4) |
| 5 = 9 | (gnd) |

8-Ports



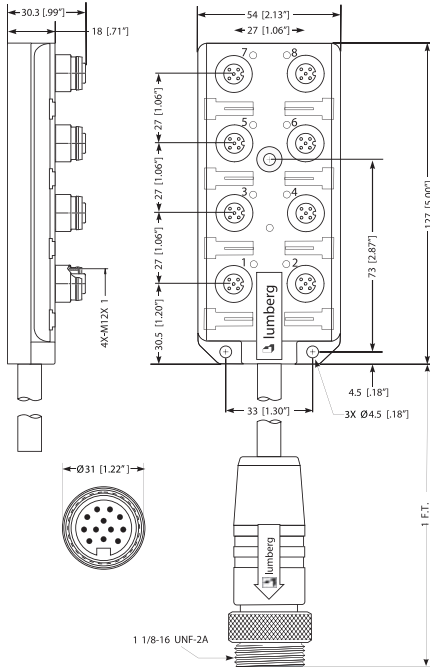
- | | |
|--------|-------|
| 1 = 12 | (+) |
| 3 = 10 | (-) |
| 4 = 1 | (7) |
| | 2 |
| | (6) |
| | 3 |
| | (5) |
| | 4 |
| | (4) |
| | 5 |
| | (3) |
| | 6 |
| | (2) |
| | 7 |
| | (1) |
| | 8 |
| | (8) |
| 5 = 9 | (gnd) |



Be Certain with Belden

M12 Actuator/Sensor Distribution Boxes
 ASB 4/LED 5-4-328/RS120M | ASB/LED 8 5-4-331/RS120M

8-Ports



Technical Data

Environmental

Degree of protection IP 67 / NEMA 6P
 Operating temperature range -15°C (+5°F) / +80°C (+176°F)

Mechanical

Housing PUR, yellow
 Insert Nylon
 Contact CuZn, gold plated
 Receptacle shell CuZn, nickel-plated
 O-ring FKM

Mini Quick Disconnect

Molded body PUR, yellow
 Insert PUR, yellow
 Contact CuZn, gold plated
 Coupling nut Aluminum, black anodized

Electrical

Contact resistance $\leq 5m\Omega$
 Voltage rating 10-30 V DC
 Current rating 4 A per port / 12 A max. total
 Insulation resistance $> 10^9 \Omega$

Accessories (included)

ZVK 2 dust covers for unused sockets
 ZBS 10 attachable labels

Cable Specifications

Cable No.	Outer Jacket	Conductor Size	Color	Outside Diameter
328	PUR, halogen-free	3 x 0.75 mm ² 4 x 0.34 mm ²	Black	.268" (6.8 mm)
331	PUR, halogen-free	3 x 0.75 mm ² 8 x 0.34 mm ²	Black	.315" (8.0 mm)

Part Number	Ports	Cable Length	Characteristics
ASB 4/LED 5-4-328/RS120M	4	1F	
ASB 8/LED 5-4-331/RS120M	8	1F	

X-ON Electronics

Largest Supplier of Electrical and Electronic Components

Click to view similar products for [Sensor Cables / Actuator Cables](#) category:

Click to view products by [Lumberg](#) manufacturer:

Other Similar products are found below :

[60963](#) [60964](#) [M83513/19-F01CP](#) [703000D02F2002](#) [703000D02F300](#) [703001D02F0602](#) [703001D02F300](#) [704000D02F120](#) [773032K02F030](#)
[802027107404-1](#) [804001A09M150](#) [805001A09M0502](#) [84914-0235](#) [84914-0237](#) [885030A09M020](#) [1200651332](#) [1200651713](#) [1200660844](#)
[1200660845](#) [1200661173](#) [1200680071](#) [1200720053](#) [1200720081](#) [1200720099](#) [1200720217](#) [1200800231](#) [1200860125](#) [1200870123](#)
[1200980102](#) [1200650267](#) [1200650298](#) [1200660183](#) [1200660782](#) [1200660849](#) [1200661295](#) [1200661297](#) [1200661342](#) [1200661343](#)
[1200670080](#) [1200670220](#) [1200680331](#) [1200720252](#) [1200730184](#) [1200860344](#) [1200870359](#) [1200870643](#) [1200980008](#) [1200980031](#)
[1210502211](#) [1210400542](#)