

## M12 Actuator/Sensor Distribution Boxes

ASBS.../LED

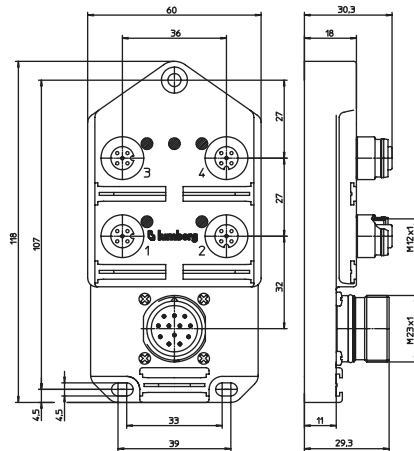


### 4-, 6- and 8-Ports (LED)

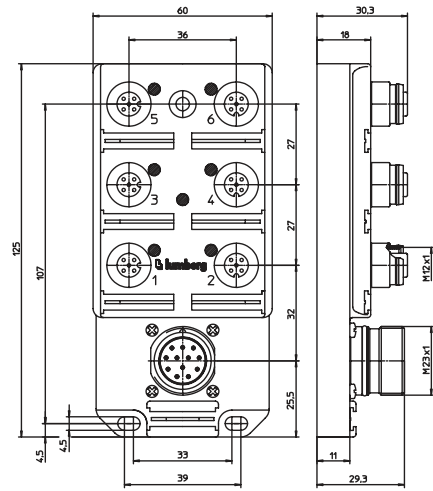
Pluggable actuator/sensor distribution box with LED operation and function indicators, 4-, 6-, and 8-ports, top-entry, M12 sockets, 4-poles, 1 signals per socket, with M23 quick-disconnect for the control cable.

– control cable type: 12P: RKU 12-256/...M or RKWU 12-256/...M –

#### 4-Ports



#### 6-Ports



## Pin Assignments

M12 / M23

### Wiring Diagrams

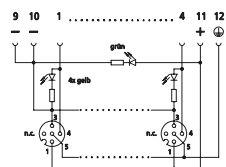
5 P



12 P

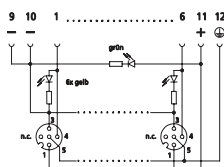


#### 4-Ports



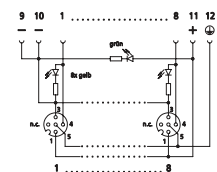
1 =	11	(+)
2 =	n.c.	
3 =	9	(-)
4 =	1	(1)
	2	(2)
	3	(3)
	4	(4)
	5	(5)
	6	(6)
5 =	12	(PE)

#### 6-Ports



1 =	11	(+)
2 =	n.c.	
3 =	9	(-)
4 =	1	(1)
	2	(2)
	3	(3)
	4	(4)
	5	(5)
	6	(6)
5 =	12	(PE)

#### 8-Ports



1 =	11	(+)
2 =	n.c.	
3 =	9	(-)
4 =	1	(1)
	2	(2)
	3	(3)
	4	(4)
	5	(5)
	6	(6)
	7	(7)
	8	(8)
5 =	12	(PE)

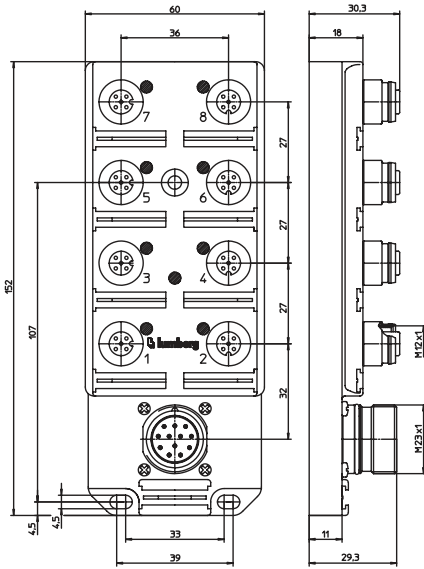


Be Certain with Belden

Distribution Boxes

**M12 Actuator/Sensor Distribution Boxes**  
 ASBS 4 5-4/LED | ASBS 6 5-4/LED | ASBS 8 5-4/LED

**8-Ports**



**Technical Data**

**Environmental**

Degree of protection IP 67 / NEMA 6P  
 Operating temperature range -15°C (+5°F) / +80°C (+176°F)

**Mechanical**

Housing TPU, self-extinguishing  
 Insert PA GF, self-extinguishing  
 Contact CuZn, pre-nickel and 0.8 microns gold-plated  
 Receptacle shell CuZn, nickel-plated  
 O-ring FKM

**Electrical**

Contact resistance  $\leq 5m\Omega$   
 Voltage rating 10-30 V DC  
 Current rating 4 A per port / 12 A max. total  
 Insulation resistance  $> 10^9 \Omega$

**Accessories (included)**

ZVK 2 dust covers for unused sockets  
 ZBS 10 attachable labels

Part Number	Ports	Mating Control Cables	Characteristics
ASBS 4/LED 5-4	4	RKU 12-256/...M or RKWU 12-256/...M	
ASBS 6/LED 5-4	6	RKU 12-256/...M or RKWU 12-256/...M	
ASBS 8/LED 5-4	8	RKU 12-256/...M or RKWU 12-256/...M	

## X-ON Electronics

Largest Supplier of Electrical and Electronic Components

*Click to view similar products for [Circular Metric Connectors](#) category:*

*Click to view products by [Lumberg](#) manufacturer:*

Other Similar products are found below :

[600X518037X](#) [6STD15PCR99B70A](#) [8R4000A16M020](#) [8R5000A16M005](#) [1200910002](#) [1203580030](#) [1200910008](#) [1200910011](#) [1300140094](#)  
[130203-0054](#) [1300140026](#) [1300150099](#) [RF-12S1N8A90DU](#) [1-3637-600-5205](#) [1612618](#) [21036836414](#) [8R4006A16M010](#) [8R5006A18A120](#)  
[1604232](#) [1R3006A20M005](#) [RF-12P1N8A80DU](#) [RF-12P1N8A90DU](#) [41-40011](#) [42-01015](#) [4-22279-4](#) [4-22281-1](#) [4-22284-9](#) [43-00113](#) [43-](#)  
[01088](#) [43-01203](#) [41-40013](#) [42-00008](#) [43-00343](#) [43-01032](#) [43-01162](#) [43-10000](#) [600X518050X](#) [SACC-DSI-FS-5P-PG9-L180 SC](#)  
[8R5006A16M020](#) [8R5006A16M005](#) [8R4000A16M010](#) [6-22279-3](#) [1605332](#) [N03FA03144](#) [1300140077](#) [43-01338](#) [XS2RD4265](#) [XS2R-](#)  
[D426-1](#) [XS8A-0441](#) [859RD04-103R004](#)