

M12 Actuator/Sensor Distribution Boxes

ASBS

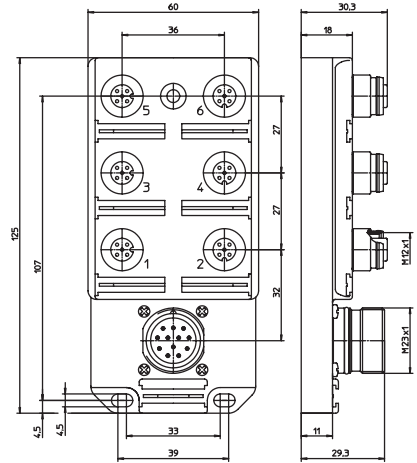


6- and 8-Ports

Pluggable actuator/sensor distribution box, 6- and 8-ports, top-entry, M12 sockets, 4-poles, 1 signals per socket, with M23 quick-disconnect for the control cable.

– control cable type: 12P: RKU 12-256/...M or RKWU 12-256/...M –

6-Ports



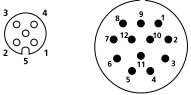
Pin Assignments

M12 / M23

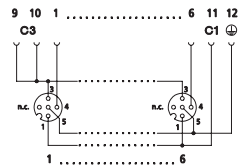
Wiring Diagrams

5 P

12 P

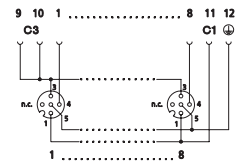


6-Ports



- 1 = 11 (C1)
- 2 = n.c.
- 3 = 9 (C3)
- 4 = 1
- 5 = 2
- 6 = 3
- 7 = 4
- 8 = 5
- 9 = 6
- 10 = 12 (PE)

8-Ports

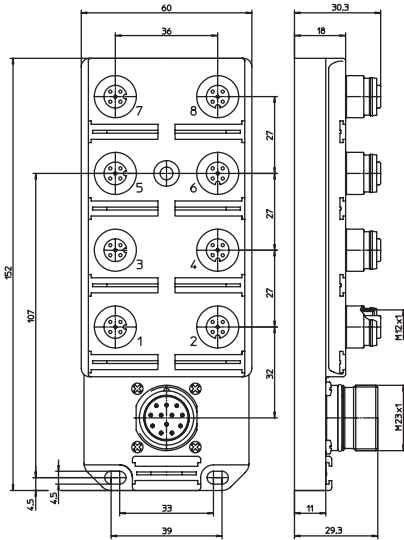


- 1 = 11 (C1)
- 2 = n.c.
- 3 = 9 (C3)
- 4 = 1
- 5 = 2
- 6 = 3
- 7 = 4
- 8 = 5
- 9 = 6
- 10 = 7
- 11 = 8
- 12 = 12 (PE)

Be Certain with Belden

M12 Actuator/Sensor Distribution Boxes ASBS 6 5-4 | ASBS 8 5-4

8-Ports



Technical Data

Environmental

Degree of protection IP 67 / NEMA 6P
Operating temperature range -15°C (+5°F) / +80°C (+176°F)

Mechanical

Housing TPU, self-extinguishing
Insert PA GF, self-extinguishing
Contact CuZn, pre-nickel and 0.8 microns gold-plated
Receptacle shell CuZn, nickel-plated
O-ring FKM

Electrical

Contact resistance $\leq 5m\Omega$
Voltage rating 30 V AC/DC
Current rating 4 A per port / 12 A max. total
Insulation resistance $> 10^9 \Omega$

Accessories (included)

ZVK 2 dust covers for unused sockets
ZBS 10 attachable labels

Part Number	Ports	Mating Control Cables	Characteristics
ASBS 6 5-4	6	RKU 12-256/...M or RKWU 12-256/...M	
ASBS 8 5-4	8	RKU 12-256/...M or RKWU 12-256/...M	

X-ON Electronics

Largest Supplier of Electrical and Electronic Components

Click to view similar products for [Circular Metric Connectors](#) category:

Click to view products by [Lumberg](#) manufacturer:

Other Similar products are found below :

[600X518037X](#) [6STD15PCR99B70A](#) [8R4000A16M020](#) [8R5000A16M005](#) [1200910002](#) [1203580030](#) [1200910008](#) [1200910011](#) [1300140094](#)
[130203-0054](#) [1300140026](#) [1300150099](#) [RF-12S1N8A90DU](#) [1-3637-600-5205](#) [1612618](#) [21036836414](#) [8R4006A16M010](#) [8R5006A18A120](#)
[1604232](#) [1R3006A20M005](#) [RF-12P1N8A80DU](#) [RF-12P1N8A90DU](#) [41-40011](#) [42-01015](#) [4-22279-4](#) [4-22281-1](#) [4-22284-9](#) [43-01088](#) [43-](#)
[01203](#) [41-40013](#) [42-00008](#) [43-00343](#) [43-01032](#) [43-01162](#) [43-10000](#) [600X518050X](#) [SACC-DSI-FS-5P-PG9-L180 SC](#) [8R5006A16M020](#)
[8R5006A16M005](#) [8R4000A16M010](#) [6-22279-3](#) [1605332](#) [N03FA03144](#) [1300140077](#) [43-01338](#) [XS2RD4265](#) [RSC 4/9](#) [XS2R-D426-1](#)
[XS8A-0441](#) [859RD04-103R004](#)