

## M12 Actuator/Sensor Distribution Boxes

ASBSV...LED

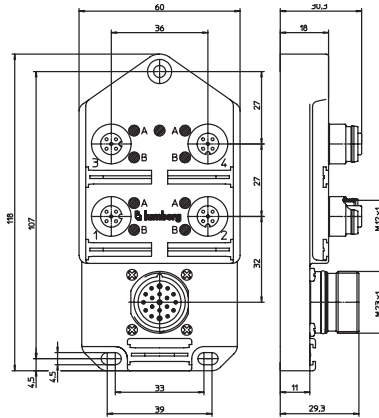


### 4-, 6-, and 8-Ports (LED)

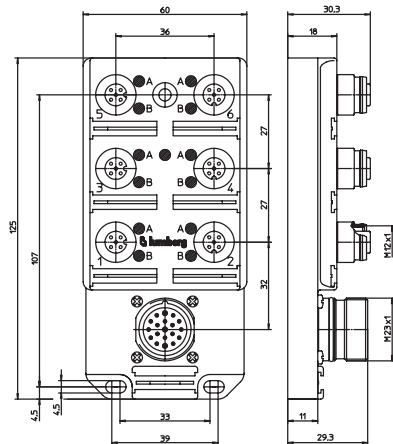
Pluggable actuator/sensor distribution box with LED operation and function indicators, 4-, 6-, and 8-ports, top-entry, M12 sockets, 5-poles, 2 signals per socket, with M23 quick-disconnect for the control cable.

– control cable type: 19P: RKU 19-242/...M or RKWU 19-242/...M –

#### 4-Ports



#### 6-Ports

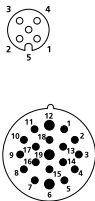


### Pin Assignments

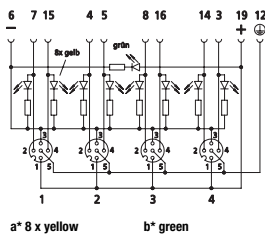
M12 / M23

Wiring Diagrams

#### 5 P / 19 P



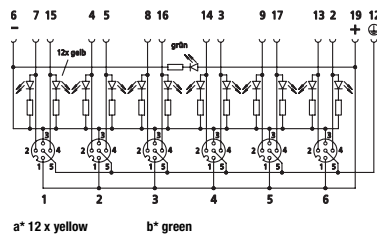
#### 4-Ports



a\* 8 x yellow      b\* green

1 =	19	(C1)
2 =	1	(7)
	2	(4)
	3	(8)
	4	(14)
3 =	6	(C3)
4 =	1	(15)
	2	(5)
	3	(16)
	4	(3)
5 =	12	(PE)

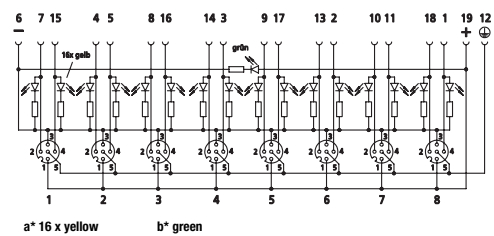
#### 6-Ports



a\* 12 x yellow      b\* green

1 =	19	(C1)
2 =	1	(7)
	2	(4)
	3	(8)
	4	(14)
	5	(9)
	6	(13)
3 =	6	(C3)
4 =	1	(15)
	2	(5)
	3	(16)
	4	(3)
	5	(17)
	6	(2)
5 =	12	(PE)

#### 8-Ports



a\* 16 x yellow      b\* green

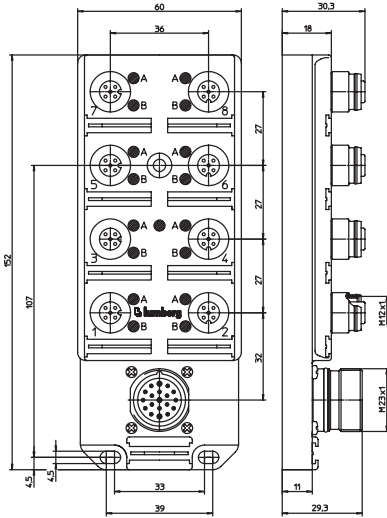
1 =	19	(C1)
2 =	1	(7)
	2	(4)
	3	(8)
	4	(14)
	5	(9)
	6	(13)
	7	(10)
	8	(18)
3 =	6	(C3)
4 =	1	(15)
	2	(5)
	3	(16)
	4	(3)
	5	(17)
	6	(2)
	7	(11)
	8	(1)
5 =	12	(PE)



Be Certain with Belden

**M12 Actuator/Sensor Distribution Boxes**  
ASBSV 4/LED 5 | ASBSV 6/LED 5 | ASBSV 8/LED 5

**8-Ports**



**Technical Data**

**Environmental**

Degree of protection IP 67 / NEMA 6P  
Operating temperature range -15°C (+5°F) / +80°C (+176°F)

**Mechanical**

Housing TPU, self-extinguishing  
Insert PA GF, self-extinguishing  
Contact CuZn, pre-nickel and 0.8 microns gold-plated  
CuZn, nickel-plated  
Receptacle shell O-ring  
O-ring FKM

**Electrical**

Contact resistance  $\leq 5m\Omega$   
Voltage rating 10-30 V DC  
Current rating 4 A per port / 10 A max. total  
Insulation resistance  $> 10^9 \Omega$

**Accessories (included)**

ZVK 2 dust covers for unused sockets  
ZBS 10 attachable labels

Part Number	Ports	Mating Control Cables	Characteristics
ASBSV 4/LED 5	4	RKU 19-242/...M or RKWU 19-242/...M	
ASBSV 6/LED 5	6	RKU 19-242/...M or RKWU 19-242/...M	
ASBSV 8/LED 5	8	RKU 19-242/...M or RKWU 19-242/...M	

## X-ON Electronics

Largest Supplier of Electrical and Electronic Components

*Click to view similar products for [Sensor Cables / Actuator Cables](#) category:*

*Click to view products by [Lumberg](#) manufacturer:*

Other Similar products are found below :

[1300070444](#) [43-10984](#) [M83513/19-F01CP](#) [704000D02F120](#) [MDM25PH003BF222](#) [802027107404-1](#) [885030A09M010](#) [885030A09M020](#)  
[1200650174](#) [1200651332](#) [1200651713](#) [1200660171](#) [1200660208](#) [1200660343](#) [1200660804](#) [1200660845](#) [1200660926](#) [1200660977](#)  
[1200661173](#) [1200661354](#) [120066-1712](#) [1200720053](#) [1200720099](#) [1200720153](#) [1200720172](#) [1200720217](#) [1200720226](#) [1200720251](#)  
[1200720285](#) [1200720296](#) [1200720404](#) [1200730148](#) [1200730378](#) [1200800231](#) [1200860112](#) [1200860121](#) [1200860125](#) [1200860337](#)  
[1200860365](#) [1200860420](#) [1200870046](#) [1200870123](#) [1200870248](#) [1200980102](#) [1200660181](#) [1200660183](#) [1200660827](#) [1200660849](#)  
[1200661170](#) [1200661295](#)