

M12 Actuator/Sensor Distribution Boxes

ASBSV...LED

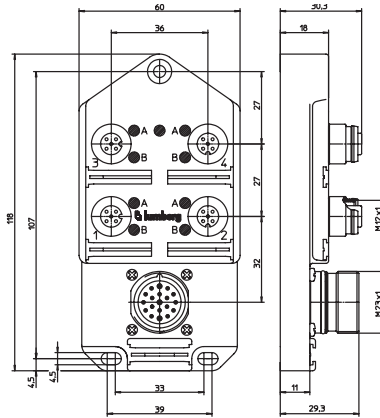


4-, 6-, and 8-Ports (LED)

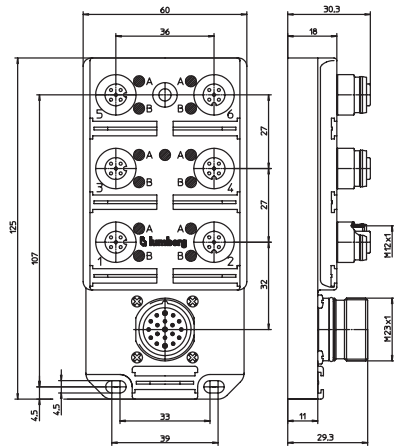
Pluggable actuator/sensor distribution box with LED operation and function indicators, 4-, 6-, and 8-ports, top-entry, M12 sockets, 5-poles, 2 signals per socket, with M23 quick-disconnect for the control cable.

– control cable type: 19P: RKU 19-242/...M or RKWU 19-242/...M –

4-Ports



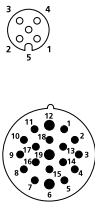
6-Ports



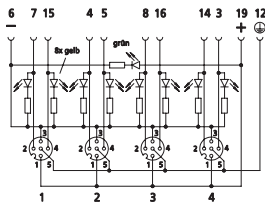
Pin Assignments

M12 / M23 Wiring Diagrams

5 P / 19 P



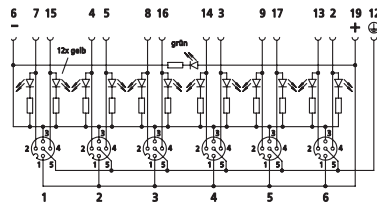
4-Ports



a* 8 x yellow b* green

- | | | |
|-----|----|------|
| 1 = | 19 | (C1) |
| 2 = | 1 | (7) |
| | 2 | (4) |
| | 3 | (8) |
| | 4 | (14) |
| 3 = | 6 | (C3) |
| 4 = | 1 | (15) |
| | 2 | (5) |
| | 3 | (16) |
| | 4 | (3) |
| 5 = | 12 | (PE) |

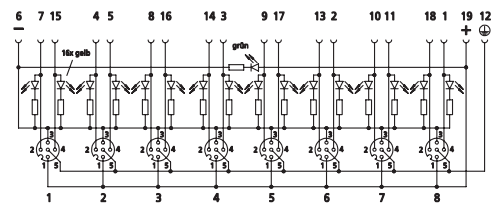
6-Ports



a* 12 x yellow b* green

- | | | |
|-----|----|------|
| 1 = | 19 | (C1) |
| 2 = | 1 | (7) |
| | 2 | (4) |
| | 3 | (8) |
| | 4 | (14) |
| | 5 | (9) |
| | 6 | (13) |
| 3 = | 6 | (C3) |
| 4 = | 1 | (15) |
| | 2 | (5) |
| | 3 | (16) |
| | 4 | (3) |
| | 5 | (17) |
| | 6 | (2) |
| 5 = | 12 | (PE) |

8-Ports



a* 16 x yellow b* green

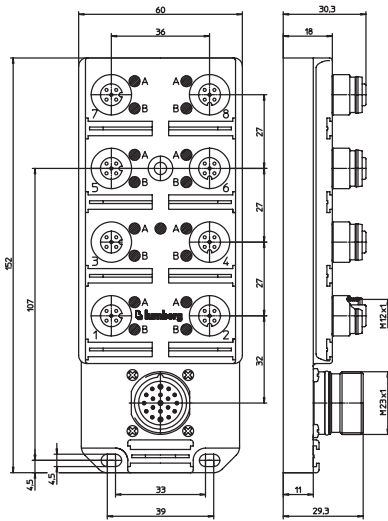
- | | | |
|-----|----|------|
| 1 = | 19 | (C1) |
| 2 = | 1 | (7) |
| | 2 | (4) |
| | 3 | (8) |
| | 4 | (14) |
| | 5 | (9) |
| | 6 | (13) |
| | 7 | (10) |
| | 8 | (18) |
| 3 = | 6 | (C3) |
| 4 = | 1 | (15) |
| | 2 | (5) |
| | 3 | (16) |
| | 4 | (3) |
| | 5 | (17) |
| | 6 | (2) |
| | 7 | (11) |
| | 8 | (1) |
| 5 = | 12 | (PE) |



Be Certain with Belden

M12 Actuator/Sensor Distribution Boxes
ASBSV 4/LED 5 | ASBSV 6/LED 5 | ASBSV 8/LED 5

8-Ports



Technical Data

Environmental

Degree of protection IP 67 / NEMA 6P
Operating temperature range -15°C (+5°F) / +80°C (+176°F)

Mechanical

Housing TPU, self-extinguishing
Insert PA GF, self-extinguishing
Contact CuZn, pre-nickel and 0.8 microns gold-plated
CuZn, nickel-plated
Receptacle shell O-ring
O-ring FKM

Electrical

Contact resistance $\leq 5m\Omega$
Voltage rating 10-30 V DC
Current rating 4 A per port / 10 A max. total
Insulation resistance $> 10^9 \Omega$

Accessories (included)

ZVK 2 dust covers for unused sockets
ZBS 10 attachable labels

Part Number	Ports	Mating Control Cables	Characteristics
ASBSV 4/LED 5	4	RKU 19-242/...M or RKWU 19-242/...M	
ASBSV 6/LED 5	6	RKU 19-242/...M or RKWU 19-242/...M	
ASBSV 8/LED 5	8	RKU 19-242/...M or RKWU 19-242/...M	

X-ON Electronics

Largest Supplier of Electrical and Electronic Components

Click to view similar products for [Circular Metric Connectors](#) category:

Click to view products by [Lumberg](#) manufacturer:

Other Similar products are found below :

[600X518037X](#) [6STD15PCR99B70A](#) [8R4000A16M020](#) [8R5000A16M005](#) [1200910002](#) [1203580030](#) [1200910008](#) [1200910011](#) [1300140094](#)
[130203-0054](#) [1300140026](#) [1300150099](#) [RF-12S1N8A90DU](#) [1-3637-600-5205](#) [1612618](#) [21036836414](#) [8R4006A16M010](#) [8R5006A18A120](#)
[1604232](#) [1R3006A20M005](#) [RF-12P1N8A80DU](#) [RF-12P1N8A90DU](#) [41-40011](#) [42-01015](#) [4-22279-4](#) [4-22281-1](#) [4-22284-9](#) [43-00113](#) [43-](#)
[01088](#) [43-01203](#) [41-40013](#) [42-00008](#) [43-00343](#) [43-01032](#) [43-01162](#) [43-10000](#) [600X518050X](#) [SACC-DSI-FS-5P-PG9-L180 SC](#)
[8R5006A16M020](#) [8R5006A16M005](#) [8R4000A16M010](#) [6-22279-3](#) [1605332](#) [N03FA03144](#) [1300140077](#) [43-01338](#) [XS2RD4265](#) [XS2R-](#)
[D426-1](#) [XS8A-0441](#) [859RD04-103R004](#)