



# CA Series

## Circular Connectors

The proven circular connectors of the CA series have a reinforced plastic housing, making them a high-quality and efficient alternative to connectors with metal housings.



**Reliable and lasting power transmission** – even in harsh and demanding industrial environments with high levels of humidity and dust (IP67)



**Intuitive handling** – easy to connect and quickly installed thanks to proven screw clamp design



**Versatile to use** – convincing solutions for a wide range of applications thanks to established Hirschmann connection technology

### Main features

- Protection class IP67 when mounted
- Up to 16 A at 400 V
- Operating temperature from -40 °C to +90 °C
- 3 + PE and 6 + PE pin assignment
- Contact-protected plug system for added user safety (DIN EN 16984)
- Integrated strain relief and vibration-proof sealing ring
- UL, VDE and CSA approval
- Versatile IP67 protective caps
- Rugged housing made of impact-resistant, glass fiber-reinforced plastic
- Straight and angled designs
- Optional color coding



Reliable and secure power transmission combined with user-friendly and intuitive design – find out about the benefits of the Hirschmann CA series.

**Be certain.  
Belden.**



## CA Series

During product development, we concentrated on an effective and reliable design.

The connectors consist of only a few components that can be quickly and easily installed without special tools. Depending on the intended application, they are assembled with a vibration-proof screw clamp connection or a soldered connection, with an integrated clamping cage for strain relief and additional safety. Connection with the cable socket via a vibration-proof sealing ring requires no tools. A coding nut prevents incorrect connection. Thanks to these features, the connectors can be quickly and easily assembled and installed.

### Applications

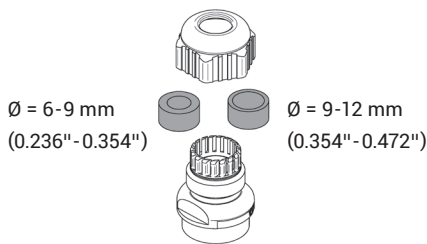
- With its rugged design, the CA series has proven itself in industrial applications and in measurement and control systems, with tight seals and integrated strain relief ensuring a reliable connection. The light though extremely resilient plastic housing makes the connectors resistant to external influences and also enables use in agricultural machinery. An optional protective cap ensures moisture- and dust-free connections even when disconnected.
- Since the connectors are durable and user-friendly in addition to being chemical-resistant, they can also be used in logistics and material handling. Their fast and easy handling ensures trouble-free assembly and installation.

### Benefits

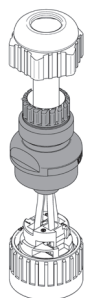
The CA series of connectors combines the advantages of a light plastic housing with the mechanical ruggedness of industrial connectors. Their impact-resistant housings provide not only complete electrical insulation: their carefully selected materials also ensure that the connectors are weather-resistant. An additional sealing ring prevents the ingress of dust and moisture, giving protection class IP67 when mounted.



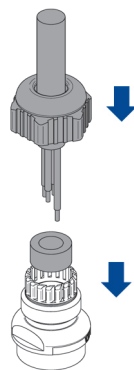
## CA Series – intuitive assembly in a jiffy



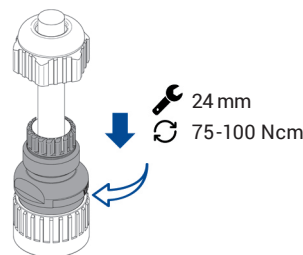
Pick the right sealing depending on your cable size.



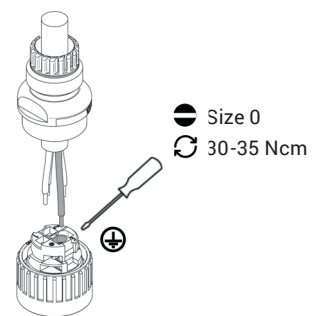
Repeat this procedure for the remaining contacts.



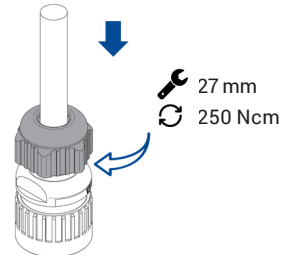
Insert the sealing into the body, then push the cable through.



Screw the connector body to the contact holder.



Unscrew the PE-contact, insert the PE-conductor and tighten again.



Screw the cable gland to the connector body.

## Technical Information

### Product Description

		
<b>Type</b>	<b>4-pole (3 + PE)</b> Male/female connector or male/female receptacle with flange, straight or angled, integrated strain relief, 3 + PE pins	<b>7-pole (6 + PE)</b> Male/female connector or male/female receptacle with flange, straight or angled, integrated strain relief, 6 + PE pins

### General Data

Directive	RoHS (2011/65/EU)	
Standard	DIN EN 61984 / IEC 61984 (VDE 0627)	
Cable Gland (field attachable)	TR 22	
Cable Range (field attachable)	Ø 6 mm (0.24") to 12 mm (0.47")	
Terminal Type (field attachable)	Screw	Solder, Female Pins
Conductor Size (field attachable)	0.5 mm <sup>2</sup> (20 AWG) to 2.5 mm <sup>2</sup> (14 AWG)	max. 0.75 mm <sup>2</sup> (18 AWG)
Housing Material	PA 66-GF	
Contact Holder Material	PA 66-GF	
Contact Material	Cu / Ag	
O-Ring Material	NBR	
Housing / Contact Holder Color	Black, White, Red, Blue	

### Electrical Data

Contact Resistance	3 mΩ	5 mΩ
Current	16 A AC/10 A DC	10 A AC/DC
Operating Voltage	400 V AC/250 V DC	250 V AC/DC
Pollution Degree	3	

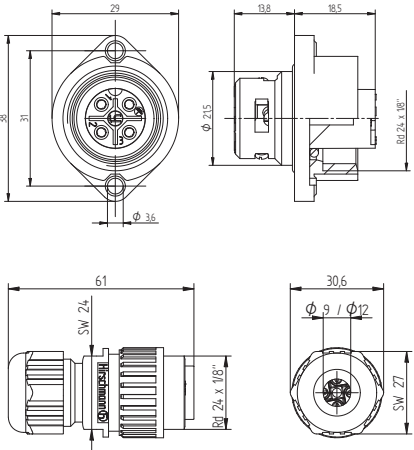
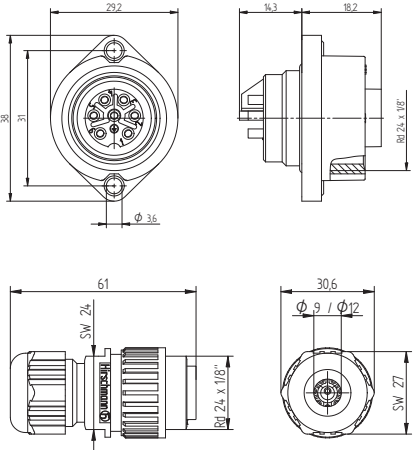
### Environmental Data

Ambient Temperature	-40 °C to +90 °C
Protection Degree	IP65, IP67 <sup>1)</sup>
Approvals	UL, VDE, CSA

### Accessories

Accessories (incl.)	1 cable socket unassembled in poly bag
---------------------	--

### Engineering Drawings

	
---	---

1) Only if mounted and locked and in combination with Hirschmann/Lumberg Automation connector.

## Product Configurator

### Field Attachables and Receptacles

C A   
 3   
 W   
 L S   
 B L U E

**Series Indicator**  
**CA** = CA Series



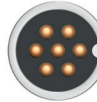

**Pin Assignment**  
**3** = 4-pole (3 + PE)  
**6** = 7-pole (6 + PE)

**Geometry Design**  
 = Straight  
**W** = 90° angled

**Gender & Design**  
**LS** = Male connector, field attachable    **GS** = Male connector, receptacle with flange  
**LD** = Female connector, field attachable    **GD** = Female connector, receptacle with flange

**Housing / Contact Holder Color**  
**BLACK** = Black housing    **RED** = Red housing  
**BLUE** = Blue housing    **WHITE** = White housing

## Order Overview

CA Series	4-pole (3 + PE)		7-pole (6 + PE)	
	Male	Female	Male	Female
<b>1. Choose Coding</b> → <b>2. Choose Design</b> ↓				
<b>Field Attachables</b>				
Straight, screw type	CA 3 LS	CA 3 LD	–	–
Straight, solder type	–	–	CA 6 LS	CA 6 LD
Angled, screw type	CA 3 W LS	CA 3 W LD	–	–
Angled, solder type	–	–	CA 6 W LS	CA 6 W LD
<b>Receptacles</b>				
Screw type	CA 3 GS	CA 3 GD	–	–
Solder type	–	–	CA 6 GS	CA 6 GD
<b>Accessories</b>				
Safety cap for field attachables, variable/fixd loop	CA 00 SD 1	CA 00 SD 3	CA 00 SD 1	CA 00 SD 3

### About Belden

Belden Inc., a global leader in high quality, end-to-end signal transmission solutions, delivers a comprehensive product portfolio designed to meet the mission-critical network infrastructure needs of industrial, enterprise and broadcast markets. With innovative solutions targeted at reliable and secure transmission of rapidly growing amounts of data, audio and video needed for today's applications, Belden is at the center of the global transformation to a connected world. Founded in 1902, the company is headquartered in St. Louis, USA, and has manufacturing capabilities in North and South America, Europe and Asia.

For more information, visit us at [www.belden.com](http://www.belden.com) and follow us on Twitter [@BeldenIND](https://twitter.com/BeldenIND).

## X-ON Electronics

Largest Supplier of Electrical and Electronic Components

*Click to view similar products for [Sensor Cables / Actuator Cables](#) category:*

*Click to view products by [Lumberg](#) manufacturer:*

Other Similar products are found below :

[60963](#) [60964](#) [703000D02F2002](#) [703000D02F300](#) [703001D02F0602](#) [703001D02F1201](#) [703001D02F300](#) [704000D02F120](#) [773032K02F030](#)  
[802027107404-1](#) [802027213811-1](#) [804001A09M150](#) [805001A09M0502](#) [84914-0235](#) [84914-0237](#) [885030A09M020](#) [1200651332](#)  
[1200651713](#) [1200660844](#) [1200660845](#) [1200661173](#) [1200680071](#) [1200720053](#) [1200720081](#) [1200720099](#) [1200720217](#) [1200800231](#)  
[1200860125](#) [1200870123](#) [1200980102](#) [1200650267](#) [1200650298](#) [1200660183](#) [1200660782](#) [1200660849](#) [1200661295](#) [1200661297](#)  
[1200661342](#) [1200661343](#) [1200670080](#) [1200670220](#) [1200680331](#) [1200720252](#) [1200720255](#) [1200730184](#) [1200860344](#) [1200870359](#)  
[1200870643](#) [1200980008](#) [1200980031](#)