




Product information CA 6 LD

Industrial Connecting Solutions: Circular Connectors: MIL, DIN, Universal Connectors: Signal and Power (CA series): Cable socket and panel-mounted socket: CA 6 LD

<https://e-catalog.hirschmann.com:443/link/57078-24228-256281-256284-24359-24360-36071/en/conf/ulistate>

Name	CA 6 LD
	
	Straight cable socket, integrated strain relief
Delivery informations	
Availability	available
Product description	
Description	Straight cable socket, integrated strain relief
Type	CA 6 LD
Order No.	934 127-100
Number of contacts	6 + PE
Cable gland	M 22x2
Cable diameter	6 mm to 12 mm
Conductor size	max. 0.75 mm ²
Housing Color	black
Technical data	
Pin dimensions	1.5 mm
Rated voltage	AC/DC 250 V
Rated current	10 A AC/DC
Contact resistance	<= 5 mOhm
Type of termination	solder, concave pins
Material	
Contact surface material	Ag
Contact bearer material	PA 66-GF 25
Housing material	PA 66-GF 25
O-Ring	NBR
Environmental conditions	
Protection class (IEC 60529)	IP 67
Pollution severity	3
Temperature range	-40 °C to +90 °C
Inflammability class	
Flammability, UL standard	94 V-0
Approvals	
UL	UL
VDE	VDE
Packing unit	
Packaging unit	100 pieces
Scope of delivery and accessories	
Scope of delivery	1 cable socket, not assembled, assembly instructions
Accessories to order separately	can be plugged into CA 6 LS, CA 6 GS; cap CA 00 SD 3, order no. 831 532-400



HIRSCHMANN

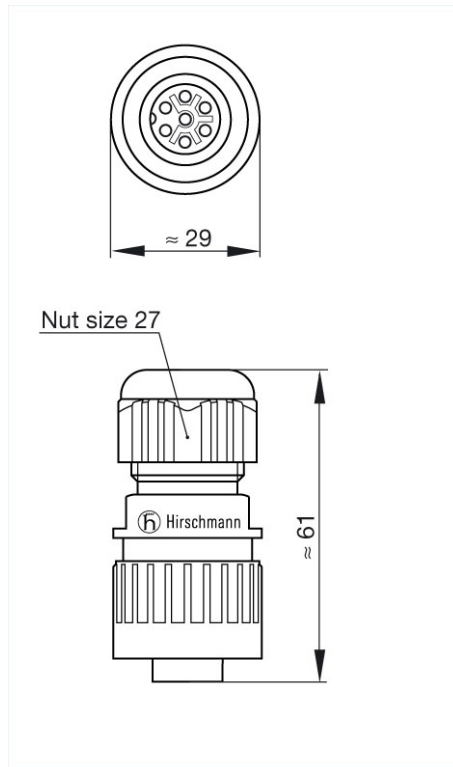
A BELDEN BRAND

Industrial Connecting Solutions: Circular Connectors: MIL, DIN, Universal Connectors: Signal and Power (CA series): Cable socket and panel-mounted socket: CA 6 LD

<https://e-catalog.hirschmann.com:443/link/57078-24228-256281-256284-24359-24360-36071/en/conf/ui/state>

Picture

Drawing



Belden Deutschland GmbH

Im Gewerbepark 2

58579 Schalksmühle

Germany

Phone: +49 7127/14-1806

E-Mail: icos-sales@belden.com

The information published in the websites has been compiled as carefully as possible. It is subject to alteration without notice in technical as well as in price-related/commercial respect. The complete information and data were available on user documentation. Mandatory information can only be obtained by a concrete query.

X-ON Electronics

Largest Supplier of Electrical and Electronic Components

Click to view similar products for [Circular DIN Connectors](#) category:

Click to view products by [Lumberg](#) manufacturer:

Other Similar products are found below :

[60KD4M](#) [M83723/76W22326](#) [M83723/78R22327](#) [75-069228-21J](#) [7519021610P](#) [75-190224-28S](#) [7547401103P](#) [75-474014-07L](#)
[803000A09M040](#) [88-559975-75P](#) [88-569735-06P](#) [8R3006A18M0033](#) [GTC00G-24-7S](#) [PT05A-14-5SX](#) [PT05A1832SW](#) [PT05E2255PW](#)
[GTC030-20-27PW-LC](#) [GTC030A-20-33S](#) [1211290078](#) [1211810025](#) [1211290084](#) [1211500027](#) [ACS06AF-16-10P\(003\)](#) [D38999/40WD35PN](#)
[D38999/44WD35BN](#) [D38999/44WH21AN](#) [D38999/44WH35AN](#) [D38999/44WJ35PN](#) [12DL6MX](#) [AFD57-22-12S-6141](#) [MS3102R18-1PZ](#)
[MS3102R28-22PZ](#) [MS3112E20-24P](#) [MS3114F10-6P](#) [MS3116E8-4SW](#) [MS3122E14-19P](#) [MS3456W28-21PZ-LC](#) [171-2603](#) [17DN100-EX](#)
[C015-50C006-100-1](#) [NYS322AG](#) [CA3100F18-10SB](#) [CA3100F18-1SB](#) [CA3102E12S-3P](#) [CA3102E18-12SWB](#) [CA3102E20-18P](#)
[CA3102E20-27P](#) [CA3102E20-33P](#) [CA3102E20-7P](#) [CA3102E24-28PB-F80-A176](#)