


Product information

ELST 3308 RV FM 8 05

Industrial Connecting Solutions:Archive - Industrial Connectors:Circular connectors E-series M8 (Archive):with screw locking:Appliance socket and appliance connector for front panel mounting:ELST 3308 RV FM 8 05

<https://e-catalog.hirschmann.com:443/link/57078-24228-62529-24238-24243-24248-37243/en/conf/ui/istate>

Name	ELST 3308 RV FM 8 05
	
	Front-mounting appliance connector with stranded wire, snap or screw locking, M8 x 0.5 mounting thread, metal casing, O-ring included
Delivery informations	
Availability	available until: 31.12.2036
Product description	
Description	Front-mounting appliance connector with stranded wire, snap or screw locking, M8 x 0.5 mounting thread, metal casing, O-ring included
Type	ELST 3308 RV FM 8 05
Order No.	933 146-001
Type of contact	male
Number of contacts	3
Cable material	PVC
Cable length	0.5 m
Conductor size	0.25 mm ²
Standard	IEC 61076-2-101 (Ed. 1)/ IEC 60947-5-2
Housing Color	metallic
Technical data	
Pin dimensions	1 mm
Wire stranding	14 x 0.15 mm
Rated voltage	AC/DC 60 V
Rated current	3 A
Material	
Contact material	Cu Zn
Contact surface material	Au
Contact bearer material	PA black
Housing material	Cu Zn/Ni
O-Ring	NBR
Environmental conditions	
Protection class (IEC 60529)	IP 67 (with snap locking),
Pollution severity	3
Temperature range	-25 °C to +90 °C
Inflammability class	
Contact bearer	94 V-2
Approvals	
UL	UL
Packing unit	
Packaging unit	100 pieces
Scope of delivery and accessories	
Accessories to order separately	fastening nut ELST M M8, order no. 734 032-001



HIRSCHMANN

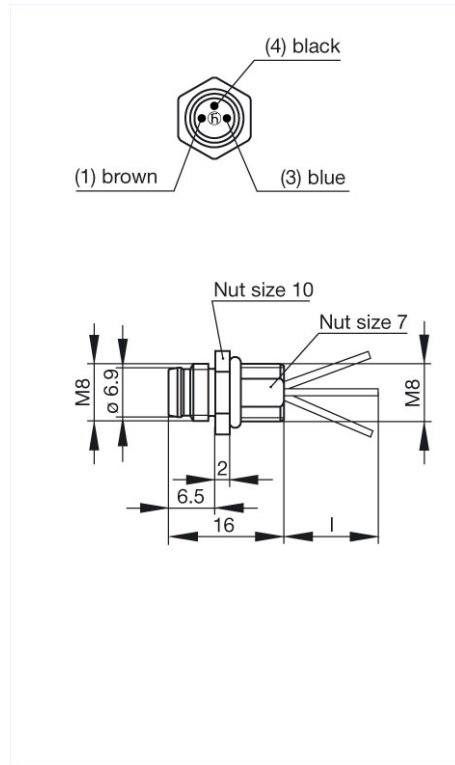
A BELDEN BRAND

Industrial Connecting Solutions:Archive - Industrial Connectors:Circular connectors E-series M8 (Archive);with screw locking:Appliance socket and appliance connector for front panel mounting:ELST 3308 RV FM 8 05

<https://e-catalog.hirschmann.com:443/link/57078-24228-62529-24238-24243-24248-37243/en/conf/uistate>

Picture

Drawing



Belden Deutschland GmbH

Im Gewerbepark 2
58579 Schalksmühle
Germany
Phone: +49 7127/14-1806
E-Mail: icos-sales@belden.com

The information published in the websites has been compiled as carefully as possible. It is subject to alteration without notice in technical as well as in price-related/commercial respect. The complete information and data were available on user documentation. Mandatory information can only be obtained by a concrete query.

X-ON Electronics

Largest Supplier of Electrical and Electronic Components

Click to view similar products for [Sensor Cables / Actuator Cables](#) category:

Click to view products by [Lumberg](#) manufacturer:

Other Similar products are found below :

[60963](#) [60964](#) [M83513/19-F01CP](#) [703000D02F2002](#) [703000D02F300](#) [703001D02F0602](#) [703001D02F300](#) [704000D02F120](#) [773032K02F030](#)
[802027107404-1](#) [804001A09M150](#) [805001A09M0502](#) [84914-0235](#) [84914-0237](#) [885030A09M020](#) [1200651332](#) [1200651713](#) [1200660844](#)
[1200660845](#) [1200661173](#) [1200680071](#) [1200720053](#) [1200720081](#) [1200720099](#) [1200720217](#) [1200800231](#) [1200860125](#) [1200870123](#)
[1200980102](#) [1200650267](#) [1200650298](#) [1200660183](#) [1200660782](#) [1200660849](#) [1200661295](#) [1200661297](#) [1200661342](#) [1200661343](#)
[1200670080](#) [1200670220](#) [1200680331](#) [1200720252](#) [1200730184](#) [1200860344](#) [1200870359](#) [1200870643](#) [1200980008](#) [1200980031](#)
[1210502211](#) [1210400542](#)