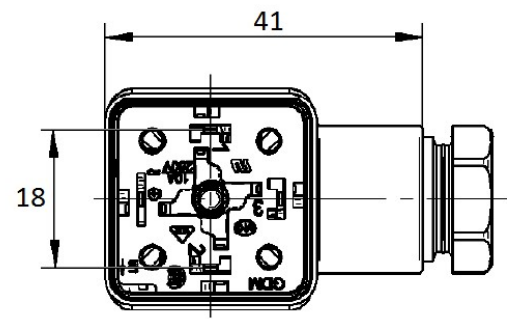
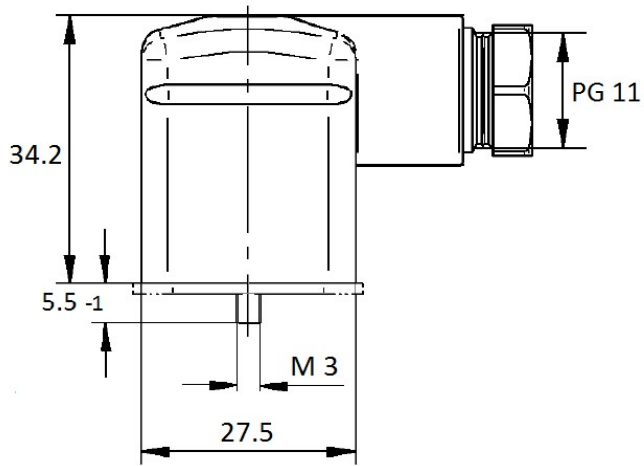
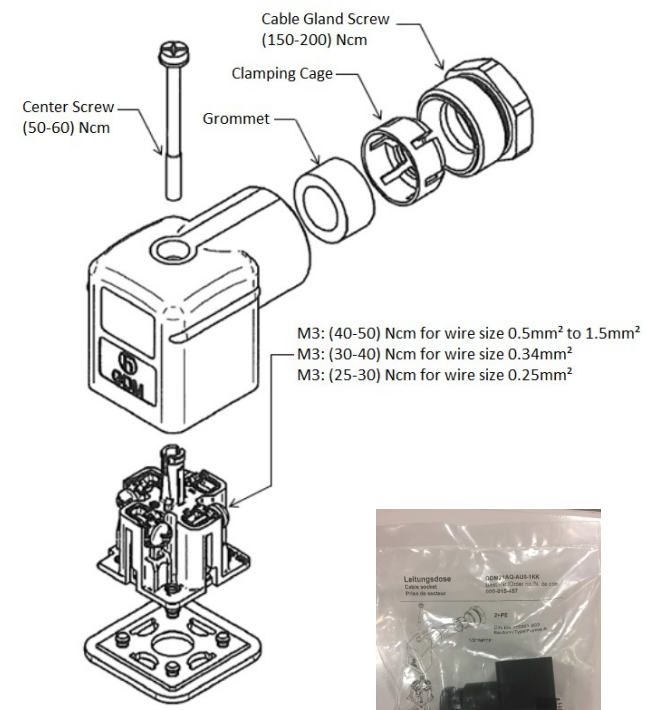
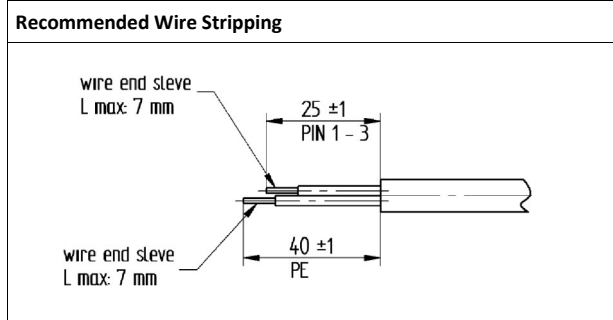
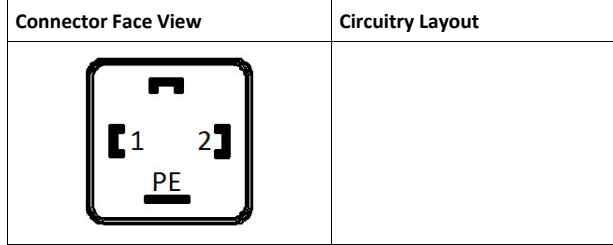


| Materials | |
|-----------------------------------|------------------------|
| Housing, gland screw | PA 66 GF / Black |
| Contact Bearer, Gland Screw, Cage | PA 6 GF / Black |
| Contact / Contact Plating | CuZn / Cu/Sn |
| Center Screw / Screw Size | Fe/Zn B / M 3x35 |
| Gasket (temperature range) | NBR (-25° to +90° C) |

| Technical Data | |
|----------------------------------|---|
| Standard | DIN EN 175301.803-A |
| No. of Contacts / Terminal Type | 2 + PE / Screw |
| Rated Current | 10 A, UL, VDE / 8 A, CSA |
| Rated Voltage (AC/DC) | 300 V, UL, CSA / 250 V VDE |
| Protective Circuit | None |
| Conductor Size Range | 0.25 mm ² (20 AWG) to... 1.5 mm ² (14 AWG) |
| Type of Connection | Screw Terminal |
| Approvals | UL 2238, CSA 22.2, VDE E349 |
| Gland Outer Thread / Clamp Range | PG 11/ ϕ 8.0 mm to ϕ 10.0 mm |
| Packaging Type / Qty per Carton | Carton / 10 pieces bagged |

| Environmental Conditions | |
|--------------------------|--------------------------|
| Temperature Range | -25° to +90° C |
| Protection Class | IP65, (IP67 with gasket) |



| Rev | A | RBS - 11/21/17 | Notes |
|-------------------|-------|----------------|------------------------------------|
| Order Code | 15456 | | Description GDM21AN-A0U-1KK |

X-ON Electronics

Largest Supplier of Electrical and Electronic Components

Click to view similar products for [Circular DIN Connectors](#) category:

Click to view products by [Lumberg](#) manufacturer:

Other Similar products are found below :

[60KD4M](#) [M83723/76W22326](#) [M83723/78R22327](#) [75-069228-21J](#) [7519021610P](#) [75-190224-28S](#) [7547401103P](#) [75-474014-07L](#) [88-559975-75P](#) [88-569735-06P](#) [8R3006A18M0033](#) [GTC00G-24-7S](#) [PT05A-14-5SX](#) [PT05A1832SW](#) [GTC030-20-27PW-LC](#) [GTC030A-20-33S](#) [1211290078](#) [1211810025](#) [1210503216](#) [1211290084](#) [1211500027](#) [ACS06AF-16-10P\(003\)](#) [D38999/40WD35PN](#) [D38999/44WD35BN](#) [D38999/44WH21AN](#) [D38999/44WH35AN](#) [D38999/44WJ35PN](#) [12DL6MX](#) [AFD57-22-12S-6141](#) [MS3102R18-1PZ](#) [MS3102R28-22PZ](#) [MS3112E20-24P](#) [MS3114F10-6P](#) [MS3116E8-4SW](#) [MS3122E14-19P](#) [MS3456W28-21PZ-LC](#) [171-2603](#) [17DN100-EX](#) [C015-50C006-100-1](#) [NYS322AG](#) [CA3100F18-10SB](#) [CA3100F18-1SB](#) [CA3102E12S-3P](#) [CA3102E14S-2P](#) [CA3102E14S-6P](#) [CA3102E18-12SWB](#) [CA3102E20-18P](#) [CA3102E20-27P](#) [CA3102E20-33P](#) [CA3102E20-7P](#)