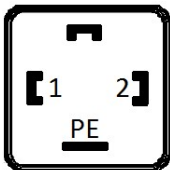
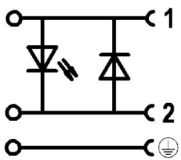
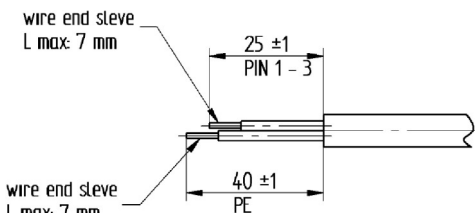


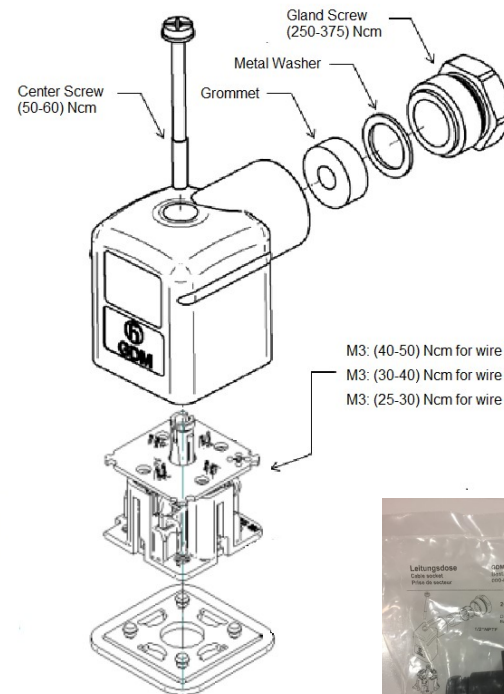
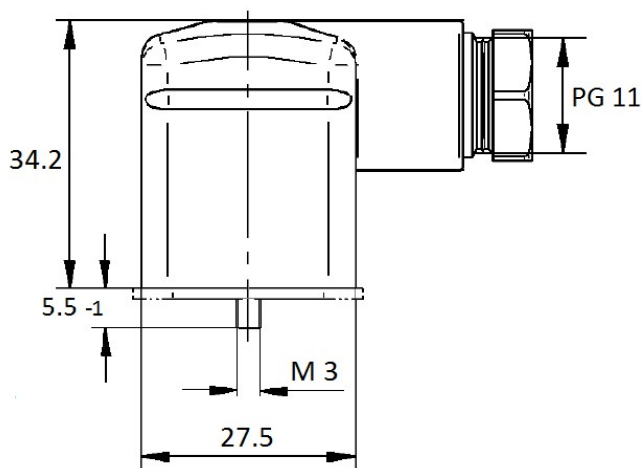
Materials	
Housing	PA 6 GF / Transparent
Contact Bearer, Gland Screw, Cage	PA 6 GF / Black
Contact / Contact Plating	CuZn / Cu/Sn
Center Screw / Screw Size	Fe/Zn B / M 3x35
Gasket (temperature range)	NBR ( -25° to +90° C )

Technical Data	
Standard	DIN EN 175301.803-A
No. of Contacts / Terminal Type	2 + PE / Screw
Rated Current	8 A
Rated Voltage (DC)	24 V, DC
Protective Circuit / LED	Recovery Diode / LED, Yellow
Conductor Size Range	0.25 mm <sup>2</sup> (20 AWG) to... 1.5 mm <sup>2</sup> (14 AWG)
Type of Connection	Screw Terminal
Approvals	VDE
Gland Outer Thread / Clamp Range	PG 11/ $\phi$ 4.5 mm to $\phi$ 11.0 mm
Packaging Type / Qty per Carton	Carton / 10 pieces bagged

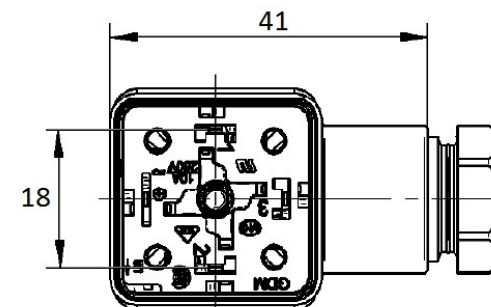
Environmental Conditions	
Temperature Range	-25° to +90° C
Protection Class	IP65

Connector Face View	Circuitry Layout
	

Recommended Wire Stripping	
 <p>wire end sleeve L max: 7 mm</p> <p>25 ±1 PIN 1 - 3</p> <p>wire end sleeve L max: 7 mm</p> <p>40 ±1 PE</p>	



M3: (40-50) Ncm for wire size 0.5mm<sup>2</sup> to 1.5mm<sup>2</sup>  
 M3: (30-40) Ncm for wire size 0.34mm<sup>2</sup>  
 M3: (25-30) Ncm for wire size 0.25mm<sup>2</sup>



Rev	A	RBS - 11/21/17	Notes
Order Code	20846	Description	GDM21FB-D24-1KK

## X-ON Electronics

Largest Supplier of Electrical and Electronic Components

*Click to view similar products for [Circular DIN Connectors](#) category:*

*Click to view products by [Lumberg](#) manufacturer:*

Other Similar products are found below :

[60KD4M](#) [M83723/76W22326](#) [M83723/78R22327](#) [D38999/26FE99SN L/C](#) [75-069228-21J](#) [7519021610P](#) [75-190224-28S](#) [7547401103P](#) [75-474014-07L](#) [88-559975-75P](#) [88-569735-06P](#) [88-569769-19P](#) [8R3006A18M0033](#) [PT02E1283P](#) [GTC00G-24-7S](#) [PT05A-14-5SX](#)  
[GTC030-20-27PW-LC](#) [GTC030A-20-33S](#) [1211290078](#) [1211810025](#) [1210503216](#) [1211290084](#) [1211500027](#) [ACS06AF-16-10P\(003\)](#)  
[D38999/40FB35AN](#) [D38999/40FB35BB](#) [D38999/40WB35BN](#) [D38999/40WD35PN](#) [D38999/40WJ29SN-L/C](#) [D38999/40WJ4BN](#)  
[D38999/42FB35BN](#) [D38999/42WB35AB](#) [D38999/42WB35PB-L/C](#) [D38999/42WF35AN](#) [D38999/42WF35PN-L/C](#) [D38999/42WJ19AN](#)  
[D38999/42WJ24PN-L/C](#) [D38999/44WB35AN](#) [D38999/44WD35BN](#) [D38999/44WF35AA](#) [D38999/44WH21AN](#) [D38999/44WH35AN](#)  
[D38999/44WJ35PN](#) [D38999/46FJ19SA-L/C](#) [D38999/46FJ29AA](#) [D38999/46FJ29AN](#) [D38999/46FJ29PN-L/C](#) [D38999/46FJ61BA](#)  
[D38999/46FJ61SA](#) [D38999/46WF32PN-L/C](#)