

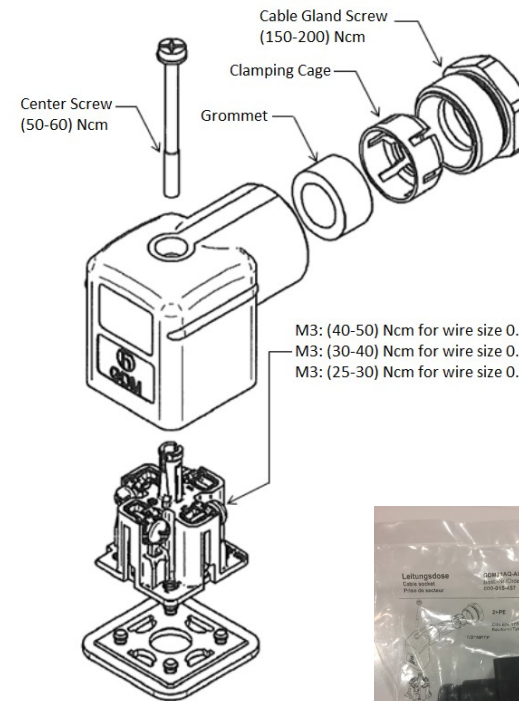
Materials	
Housing, gland screw	PA 66 GF / Black
Contact Bearer, Gland Screw, Cage	PA 6 GF / Black
Contact / Contact Plating	CuZn / Cu/Sn
Center Screw / Screw Size	Fe/Zn B / M 3x35
Gasket (temperature range)	NBR (-25° to +90° C)

Technical Data	
Standard	DIN EN 175301.803-A
No. of Contacts / Terminal Type	3 + PE / Screw
Rated Current	10 A, UL, VDE / 8 A, CSA
Rated Voltage (AC/DC)	300 V, UL, CSA / 250 V VDE
Protective Circuit	None
Conductor Size Range	0.25 mm ² (20 AWG) to... 1.5 mm ² (14 AWG)
Type of Connection	Screw Terminal
Approvals	UL 2238, CSA 22.2, VDE E349
Gland Outer Thread / Clamp Range	1/2NPTF /ø8.0 mm to 10.0mm
Packaging Type / Qty per Carton	Carton / 10 pieces bagged

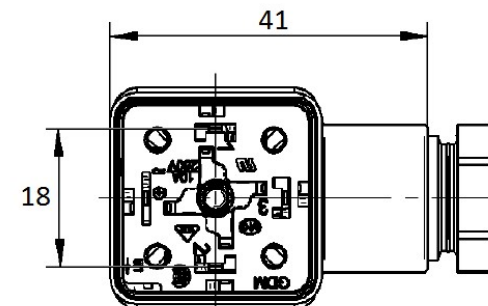
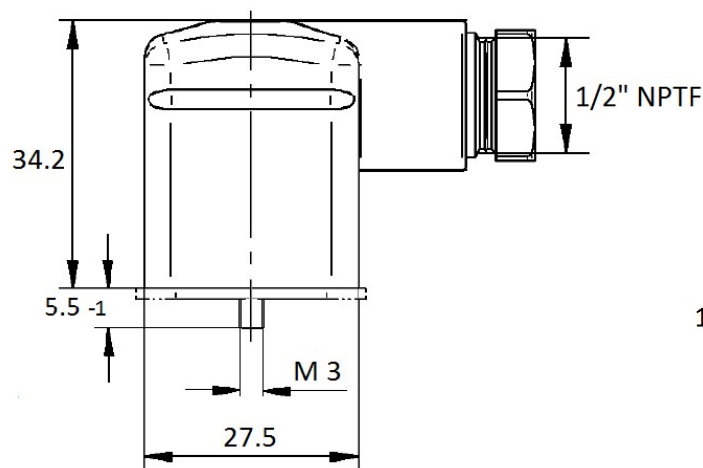
Environmental Conditions	
Temperature Range	-25° to +90° C
Protection Class	IP65, (IP67 with gasket)

Connector Face View	Circuitry Layout

Recommended Wire Stripping	



M3: (40-50) Ncm for wire size 0.5mm² to 1.5mm²
M3: (30-40) Ncm for wire size 0.34mm²
M3: (25-30) Ncm for wire size 0.25mm²



Rev	A	RBS - 11/21/17	Notes
Order Code	15460	Description	GDM31AQ-A0U-1KK

X-ON Electronics

Largest Supplier of Electrical and Electronic Components

Click to view similar products for [Circular DIN Connectors](#) category:

Click to view products by [Lumberg](#) manufacturer:

Other Similar products are found below :

[60KD4M](#) [M83723/76W22326](#) [M83723/78R22327](#) [75-069228-21J](#) [7519021610P](#) [75-190224-28S](#) [7547401103P](#) [75-474014-07L](#)
[803000A09M040](#) [88-559975-75P](#) [88-569735-06P](#) [8R3006A18M0033](#) [GTC00G-24-7S](#) [PT05A-14-5SX](#) [PT05A1832SW](#) [PT05E2255PW](#)
[GTC030-20-27PW-LC](#) [GTC030A-20-33S](#) [1211290078](#) [1211810025](#) [1211290084](#) [1211500027](#) [ACS06AF-16-10P\(003\)](#) [D38999/40WD35PN](#)
[D38999/44WD35BN](#) [D38999/44WH21AN](#) [D38999/44WH35AN](#) [D38999/44WJ35PN](#) [12DL6MX](#) [AFD57-22-12S-6141](#) [MS3102R18-1PZ](#)
[MS3102R28-22PZ](#) [MS3112E20-24P](#) [MS3114F10-6P](#) [MS3116E8-4SW](#) [MS3122E14-19P](#) [MS3456W28-21PZ-LC](#) [171-2603](#) [17DN100-EX](#)
[C015-50C006-100-1](#) [NYS322AG](#) [CA3100F18-10SB](#) [CA3100F18-1SB](#) [CA3102E12S-3P](#) [CA3102E18-12SWB](#) [CA3102E20-18P](#)
[CA3102E20-27P](#) [CA3102E20-33P](#) [CA3102E20-7P](#) [CA3102E24-28PB-F80-A176](#)