

## M12-Round-Plug Connector, Single-Ended Cordsets, According to IEC 61076-2-101

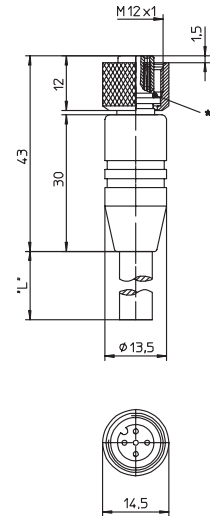
RKTS | RKWTH



### 4-, 5-, and 8-Poles (Shielded)

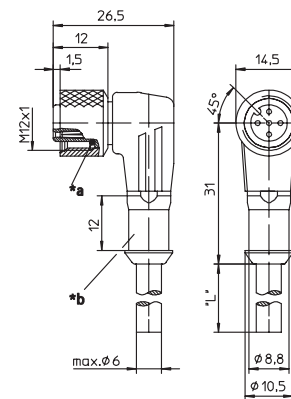
Actuator/sensor cordset, single-ended, M12, 4-, 5-, and 8-poles, female straight connector, internal threads with threaded joint and molded cable, shielding connecting to knurled nut.

RKTS



Actuator/sensor cordset, single-ended, M12, 4-, 5-, and 8-poles, female 90° connector, internal threads with threaded joint and molded cable, shielding connecting to knurled nut.

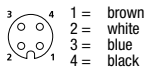
RKWTH



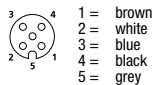
### Pin Assignments

#### M12 - Female

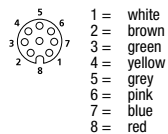
##### 4 poles



##### 5 poles



##### 8 poles





### M12-Round-Plug Connector, Single-Ended Cordsets, According to IEC 61076-2-101 RKTS | RKWTH

#### Technical Data

##### Environmental

Degree of protection IP 67 / NEMA 6P  
Operating temperature range -25°C (-13°F) / +80°C (+176°F)

##### Mechanical

Housing / Molded body TPU  
Insert TPU  
Contact CuSn, pre-nickel and 0.8 microns gold-plated  
Coupling nut CuZn, nickel-plated  
Shield sleeve CuZn, nickel-plated  
O-ring FKM

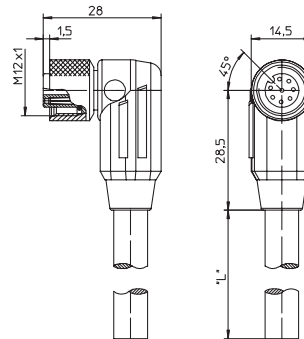
##### Electrical

Contact resistance ≤ 5 mΩ  
Nominal current at 40°C 4 A  
Nominal voltage 4 poles 240 V  
5 poles 60 V  
8 poles 30 V  
Rated voltage 3-4 poles 250 V  
5 poles 63 V  
8 poles 36 V  
Test voltage 3-4 poles 2.0 kV eff. / 60 s  
5-8 poles 1.5 kV eff. / 60 s  
Insulation resistance > 10<sup>9</sup> Ω

#### Cable Specifications

Cable No.	Outer Jacket	Conductor Size	Jacket Color	OD
182	PVC, shielded	4 x 0.34 mm <sup>2</sup>	Orange	.217" (5.5 mm)
183	PVC, shielded	5 x 0.34 mm <sup>2</sup>	Orange	.236" (6.0 mm)
184	PVC, shielded	8 x 0.25 mm <sup>2</sup>	Orange	.260" (6.6 mm)
288	PUR, halogen-free, shielded	4 x 0.34 mm <sup>2</sup>	Black	.217" (5.5 mm)
298	PUR, halogen-free, shielded	5 x 0.34 mm <sup>2</sup>	Black	.236" (6.0 mm)
299	PUR, halogen-free, shielded	8 x 0.25 mm <sup>2</sup>	Black	.260" (6.6 mm)

#### RKWTH (8-pole version)



Part Number	Part Number	Pins	Outer Jacket	Standard Cable Lengths	Characteristics
<b>Female Straight</b>	<b>Female 90°</b>				
RKTS 4-182/...M	RKWTH 4-182/...M	4	PVC	2 M / 5 M / 10 M	
RKTS 4-288/...M	RKWTH 4-288/...M		PUR, halogen-free	2 M / 5 M / 10 M	
RKTS 5-183/...M		5	PVC	2 M / 5 M / 10 M	
RKTS 5-298/...M	RKWTH 5-298/...M		PUR, halogen-free	2 M / 5 M / 10 M	
RKTS 8-184/...M		8	PVC	2 M / 5 M / 10 M	
RKTS 8-299/...M	RKWTH 8-299/...M		PUR, halogen-free	2 M / 5 M / 10 M	

## X-ON Electronics

Largest Supplier of Electrical and Electronic Components

*Click to view similar products for [Sensor Cables / Actuator Cables](#) category:*

*Click to view products by [Lumberg](#) manufacturer:*

Other Similar products are found below :

[1300070444](#) [43-10984](#) [M83513/19-F01CP](#) [704000D02F120](#) [MDM15SH001K](#) [MDM25PH003BF222](#) [802027107404-1](#) [885030A09M010](#)  
[885030A09M020](#) [1200650174](#) [1200651332](#) [1200651713](#) [1200660171](#) [1200660208](#) [1200660343](#) [1200660804](#) [1200660845](#) [1200660926](#)  
[1200660977](#) [1200661173](#) [1200661354](#) [120066-1712](#) [1200720053](#) [1200720099](#) [1200720153](#) [1200720172](#) [1200720217](#) [1200720226](#)  
[1200720251](#) [1200720285](#) [1200720296](#) [1200720404](#) [1200730148](#) [1200730378](#) [1200800231](#) [1200860112](#) [1200860121](#) [1200860125](#)  
[1200860337](#) [1200860365](#) [1200860420](#) [1200870046](#) [1200870123](#) [1200870248](#) [1200980102](#) [1200660181](#) [1200660183](#) [1200660827](#)  
[1200660849](#) [1200661170](#)