

**M8-Round-Plug Connector, Single-Ended Cordsets,
According to IEC 61976-2-104**

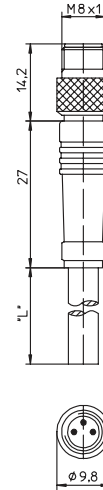
RSMV | RSMWV



3- and 4-Poles

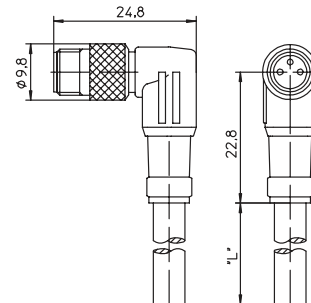
Actuator/sensor cordset, single-ended, M8,
3- and 4-poles male straight connector with
self-locking threaded joint and molded cable.

RSMV



Actuator/sensor cordset, single-ended, M8,
3- and 4-poles male 90° connector with self-
locking threaded joint and molded cable.

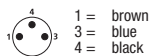
RSMWV



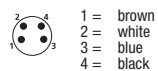
Pin Assignments

M8

3 poles



4 poles





Be Certain with Belden

M8-Round-Plug Connector, Single-Ended Cordsets, According to IEC 61976-2-104

RSMV 3 | RSMV 4 | RSMWV 3 | RSMWV 4

Technical Data

Environmental

Degree of protection IP 67 / NEMA 6P
Operating temperature range -40°C (-40°F) / +90°C (+194°F)

Mechanical

Housing / Molded body TPU
Insert PA / TPU
Contact CuZn, pre-nickelated and 0.8 microns gold-plated
Coupling nut CuZn, nickel-plated

Electrical data

Contact resistance ≤ 5 mΩ
Nominal current at 40°C 4 A
Nominal voltage 3 poles 60 V
4 poles 30 V
Rated voltage 3 poles 63 V
4 poles 36 V
Test voltage 3 poles 1.5 kV eff. / 60 s
4 poles 0.8 kV eff. / 60 s
Insulation resistance > 10⁹ Ω
Pollution degree 3

Cable Specifications

| Cable No. | Outer Jacket | Conductor Size | Jacket Color | OD |
|-----------|-------------------|--------------------------|--------------|----------------|
| 06 | PVC | 3 x 0.34 mm ² | Orange | .197" (5.0 mm) |
| 07 | PVC | 4 x 0.75 mm ² | Orange | .197" (5.0 mm) |
| 224 | PUR, halogen-free | 3 x 0.34 mm ² | Black | .169" (4.3 mm) |
| 225 | PUR, halogen-free | 4 x 0.34 mm ² | Black | .185" (4.7 mm) |

| Part Number | Pins | Outer Jacket | Standard Cable Lengths | Characteristics |
|-----------------|------|-------------------|------------------------|-----------------|
| RSMV 3-06/...M | 3 | PVC | 2 M / 5 M / 10 M | |
| RSMV 3-224/...M | | PUR, halogen-free | 2 M / 5 M / 10 M | |
| RSMV 4-07/...M | 4 | PVC | 2 M / 5 M / 10 M | |
| RSMV 4-225/...M | | PUR-halogen-free | 2 M / 5 M / 10 M | |

X-ON Electronics

Largest Supplier of Electrical and Electronic Components

Click to view similar products for [Sensor Cables / Actuator Cables](#) category:

Click to view products by [Lumberg](#) manufacturer:

Other Similar products are found below :

[60963](#) [60964](#) [703000D02F2002](#) [703000D02F300](#) [703001D02F0602](#) [703001D02F1201](#) [703001D02F300](#) [704000D02F120](#) [773032K02F030](#)
[802027107404-1](#) [802027213811-1](#) [804001A09M150](#) [805001A09M0502](#) [84914-0235](#) [84914-0237](#) [885030A09M020](#) [1200651332](#)
[1200651713](#) [1200660844](#) [1200660845](#) [1200661173](#) [1200680071](#) [1200720053](#) [1200720081](#) [1200720099](#) [1200720217](#) [1200800231](#)
[1200860125](#) [1200870123](#) [1200980102](#) [1200650267](#) [1200650298](#) [1200660183](#) [1200660782](#) [1200660849](#) [1200661295](#) [1200661297](#)
[1200661342](#) [1200661343](#) [1200670080](#) [1200670220](#) [1200680331](#) [1200720252](#) [1200720255](#) [1200730184](#) [1200860344](#) [1200870359](#)
[1200870643](#) [1200980008](#) [1200980031](#)